



# Decade® 2561/2562 Carts

## INSTALLATION GUIDE



### Recommended Tools

- Adjustment key (supplied with unit) or 1/8" hex key
- 3/32" hex key
- Standard screwdriver

### Connect the Utilities

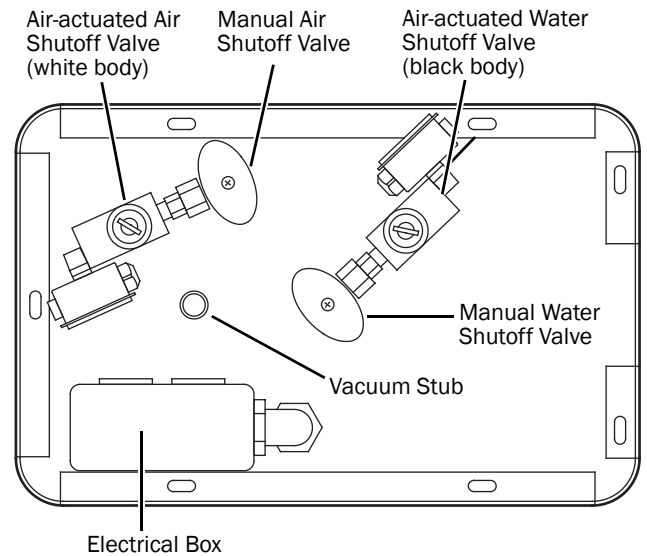


**CAUTION** Local regulation requires licensed plumbers and electricians to install utilities. All plumbing and utilities must conform to prevailing local codes.

The location of the floor box must be selected well in advance of the installation of the system to allow the necessary plumbing and wiring to be done. The floor box must be located so the 7' (2134 mm) umbilical will reach the Decade Cart operating area.

Use the *Floor Box Template* (p/n 85.0472.00) for positioning the floor box and manual shutoff valves.

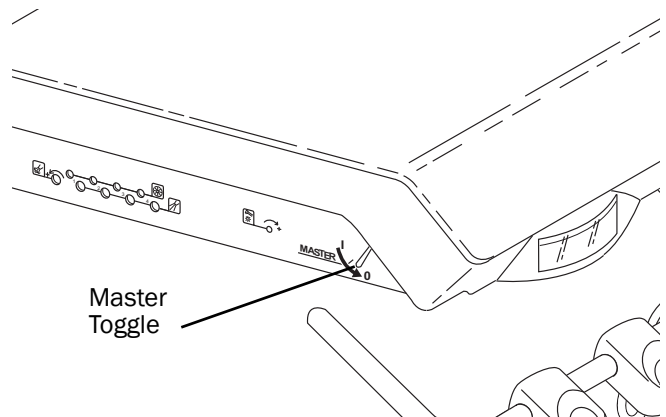
1. If the manual air and water shutoff valves have not already been installed, install them now.
2. Connect the air-actuated air and water shutoff valves to the manual shutoff valves. Do not overtighten the fittings.



3. If the system includes vacuum instrumentation, measure and cut the vacuum convolute to the proper length. Push it onto the vacuum stub.
4. Connect the duplex receptacle cable to the electrical junction box, using the connector provided.

### Test the Decade Cart

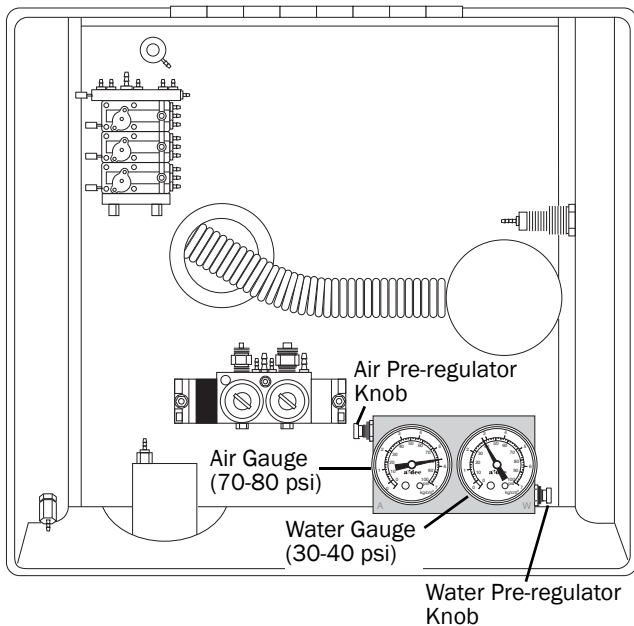
1. Be sure the master toggle (on the left front of the unit) is in the off position, toward the "0".



- Turn on the incoming air and water in the floor box by fully opening the manual air and water (if there is no self-contained water) shutoff valves (see the floor box figure on page 1).

If the unit has self-contained water, fill a water bottle with water specified by the dental team. Install the filled water bottle onto the unit.

- Move the master toggle to the on position, toward the "I" mark.
- Lift the cart top cover to access the utilities.
- Check the system pressure gauges in the utility center. Air pressure should be 70 - 80 psi (483 - 552 kPa) and water pressure should be 35 - 40 psi (241 - 276 kPa).



### Air Pressure Adjustment

If air pressure is not within the specified range, make sure the air compressor is working. The air compressor should be set between 90 - 125 psi (2.5 scfm minimum) and ensure that the air manual shutoff valve is fully open.

If the water pressure is not within the specified range, ensure the water manual shutoff valve is fully open.

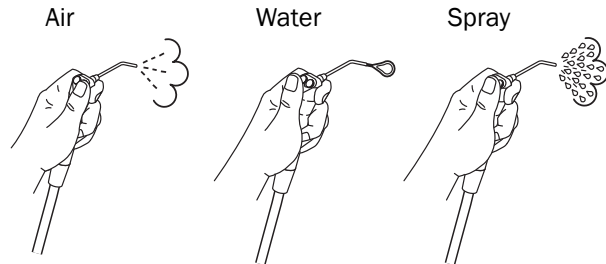
If an adjustment of either air or water pressure is necessary, turn the pre-regulator knob next to the gauge clockwise to increase pressure, or counterclockwise to decrease pressure (see the image above).

When decreasing pressure, bleed the system by briefly pressing the syringe air button before reading the gauge. Do this for each decrease adjustment.

### Syringe Air, Water and Spray

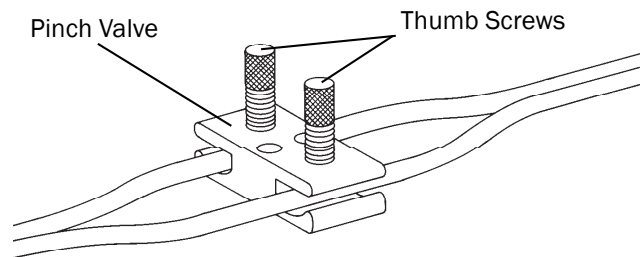
- Test the syringe:

- Air - Press and hold the right button.
- Water - Press and hold the left button.
- Spray - Press and hold both buttons.



### Syringe Adjustments

- Locate the syringe flow controls (pinch valves) within the unit.



- Adjust the water flow (smooth tubing) by pressing the left syringe button and turning the thumbscrew to achieve the desired flow.
- Adjust the air flow (ribbed tubing) by pressing both syringe buttons for spray and turning the thumbscrew to achieve the desired air/water spray pattern.

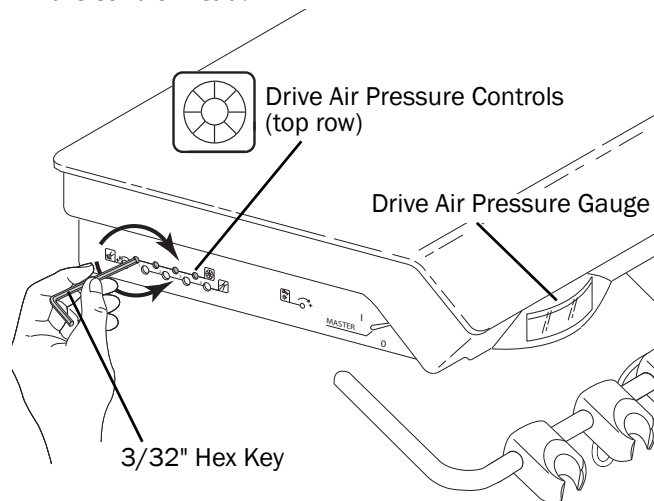
For complete syringe information, refer to *A-dec Syringes Instructions for Use* (p/n 85.0680.00).

## Adjust the Handpieces

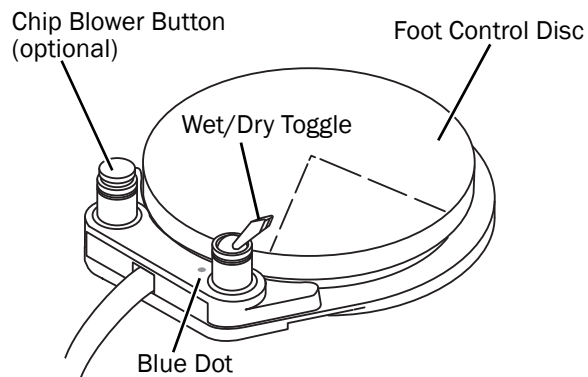
### Drive Air Pressure Adjustment

Before adjusting the drive air pressure, refer to the documentation that came with the handpiece for the maximum dynamic drive air pressure specification.

1. Install a bur in the handpiece.
2. Locate the drive air pressure gauge on the front of the control head.



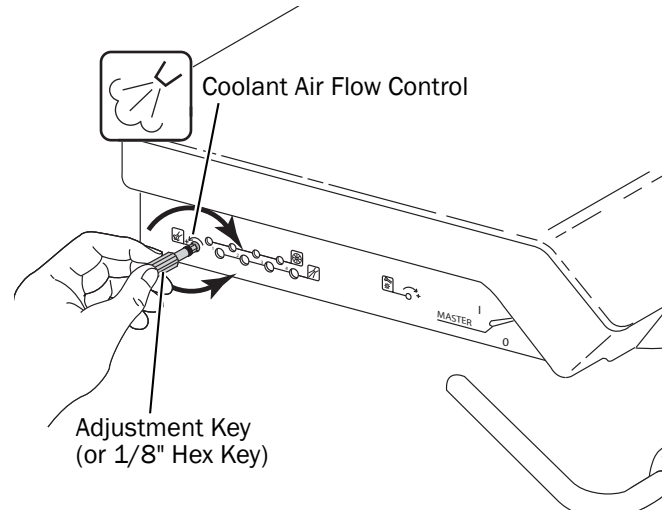
3. Move the wet/dry toggle on the foot control to the off position, away from the blue dot.



4. Use a 3/32" hex key to adjust the drive air pressure to meet the handpiece manufacturer's maximum dynamic drive air pressure specification.

### Coolant Air Flow Adjustment

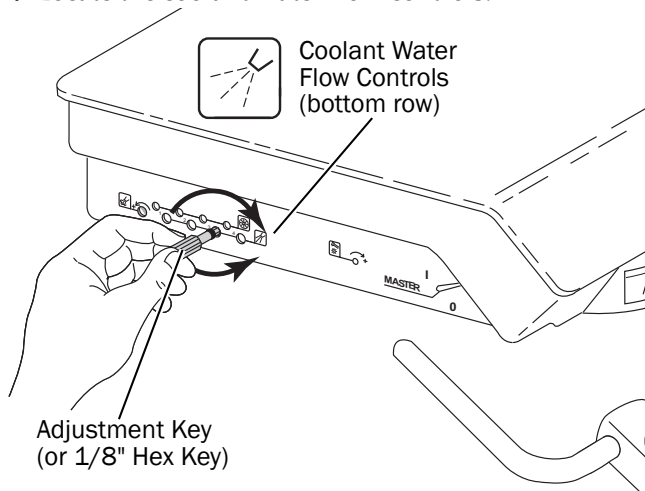
1. Install a bur in the handpiece.
2. Locate the coolant air flow control.



3. Move the wet/dry toggle on the foot control (see the foot control disc illustration below step 3, shown earlier) to the on position, toward the blue dot.
4. Insert an adjustment key (or a 1/8" hex key) into the coolant air flow control.
5. Fully depress the foot control disc to activate the handpiece.
6. Adjust the coolant air flow to fit your needs. A strong flow of air is recommended.
  - Turn the control clockwise to decrease the flow.
  - Turn the control counterclockwise to increase the flow.
7. Check and adjust the coolant air flow for ALL the handpieces.
8. If the foot control is equipped with a chip blower button (see the foot control disc illustration below step 3, shown earlier), press it while checking for a burst of air from each handpiece.

## Coolant Water Flow Adjustment

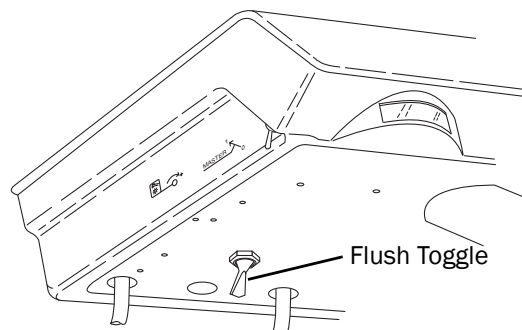
1. Install a bur in the handpiece.
2. Locate the coolant water flow controls.



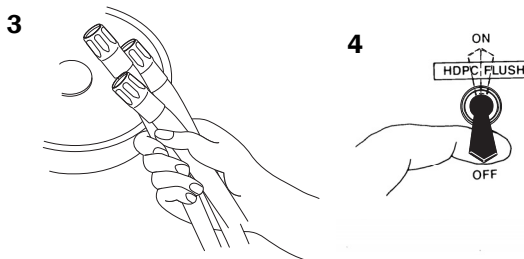
3. Move the wet/dry toggle on the foot control (see the foot control image on page 3) to the on position, toward the blue dot.
4. Insert an adjustment key, or a 1/8" hex key, into the coolant water flow control for the handpiece being adjusted.
5. Fully depress the foot control disc to activate the handpiece.
6. Adjust the coolant water flow to fit your needs.
  - o Turn the control clockwise to decrease the flow.
  - o Turn the control counterclockwise to increase the flow.
7. Adjust the water coolant flow for each handpiece.

## Handpiece Tubing Flush System

1. Remove the handpieces from the tubing.
2. Locate the handpiece tubing flush toggle underneath the left side of the chassis.



3. Gather up all the handpiece tubing that uses coolant water and hold them over a receptacle (such as a cuspidor or sink). Hold the tubing so the water will be directed away from you and into the receptacle.



4. Open the flush valve by holding the toggle toward the front of the unit. Check that water is flowing from each handpiece tubing. Refer to the handpiece owner's guide for more detail on the handpiece tubing flush procedure.
5. Release the flush toggle and check that water flow from each handpiece tubing has stopped.
6. Replace each handpiece on its tubing and place each handpiece in its holder.

## **Test the Syringe**

1. While operating the syringe, check all air and water plumbing connections for leaks.
2. If equipped with assistant's instrumentation, check for vacuum leaks while operating the HVE. To operate the HVE, simply turn the control valve.
3. If an optional power supply is installed, plug it in.
4. Test all optional electrical accessories. Refer to each electrical accessory Owner's Guide for testing and adjustment procedures.

## Regulatory Information

Regulatory information mandated by agency requirements is provided with A-dec dental equipment in the *Instructions for Use* and the separate *Regulatory Information, Specifications, and Warranty* document (p/n 86.0221.00). These documents are also available at [www.a-dec.com](http://www.a-dec.com).

### A-dec Headquarters

2601 Crestview Drive  
Newberg, OR 97132 USA  
Tel:1.800.547.1883 Within USA/Canada  
Tel:1.503.538.7478 Outside USA/Canada  
Fax:1.503.538.0276  
[www.a-dec.com](http://www.a-dec.com) / [www.a-dec.biz](http://www.a-dec.biz)

*A-dec Inc. makes no warranty of any kind with regard to the content in this document including, but not limited to, the implied warranties of merchantability and fitness for a particular purpose.*



85.0430.00 Rev E  
Copyright 2014 A-dec Inc.  
All rights reserved.  
IGevbw5