



A-DEC INC.
2601 CRESTVIEW DRIVE
POST OFFICE BOX 111
NEWBERG, OREGON 97132 USA
TELEPHONE (503)-538-9471

DESIGNATED E.U. REPRESENTATIVE:
A-DEC DENTAL U.K., LTD.
AUSTIN HOUSE
11 LIBERTY WAY
ATTLEBOROUGH FIELDS INDUSTRIAL ESTATE
NUNEATON, WARWICKSHIRE
ENGLAND CV11 6RZ
PHONE: 0800-ADECUK (233285) WITHIN UK
00 44 24 7635 0901 OUTSIDE UK

A-DEC AUSTRALIA
41-43 BOWDEN STREET
ALEXANDRIA, N.S.W. 2015
AUSTRALIA
TELEPHONE (61) 1.800.225010

CHECK WITH LOCAL CODE AUTHORITIES ABOUT INSTALLATION REQUIREMENTS FOR THIS PRODUCT

INSTALLATION INSTRUCTIONS

WASH STATION

MODEL 5570

WARNING

To avoid injury from electrical shock, turn off electricity to the Preference® II utilities before beginning this installation.

YOU WILL NEED:

- Adjustable Wrench
- Leveling Device
- Common Screwdriver
- Phillips Screwdriver

INSTALL THE WASH STATION

1. The utilities must be installed according to prevailing building codes and the Preference II floor template (*A-dec Publication No. 85.0537.00*). **If the manual shut-off valves have not been installed, install them now.**
2. Be sure the floor-mounted anchor bolts are properly installed. Refer to the the operatory floor plan, appropriate floor template and to the sub-base installation instructions (*A-dec Publication 85.0322.00, Rev A*) to install the bolts.
3. Remove the door and false bottom from the module (*see Figure 1*).
4. Place the wash station over the plumbing.



FIGURE 1

NOTE

The door is fitted with quick-disconnect hinges. To remove a door, pull on the quick-release levers at the rear of the hinges (*see Figure 2 on page 2*).

PLUMB THE WASH STATION

1. Slide two brass washers and a brass nut over the small end of both three foot long gray tubings (see *Figure 5*). Install the gray tubings into the mixing valve supply lines (*nipple end toward the mixing valve*). Slide the washers and nut onto the mixing valve supply line and tighten firmly.

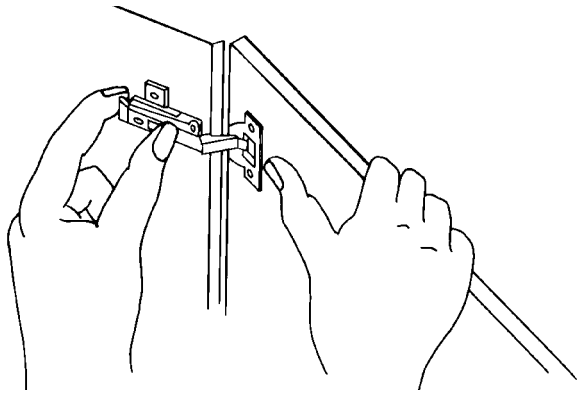


FIGURE 2

5. Place a bubble level on the wash station counter-top, then level the module side-to-side and front-to-back using the leveling feet (see *Figure 3*).

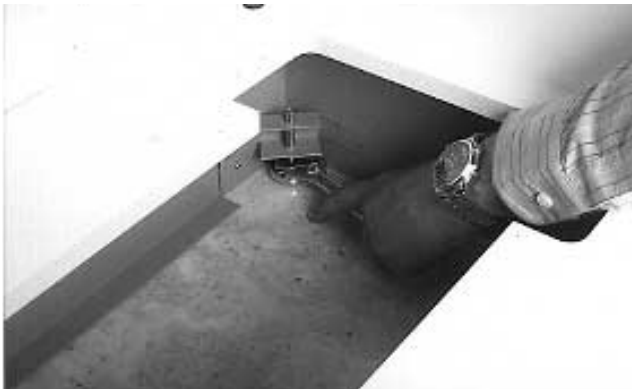


FIGURE 3

6. To secure the wash station to the floor, install the leveling shims, mounting clips, washers, and hex nuts as shown in *Figure 4*, then tighten the hex nuts.

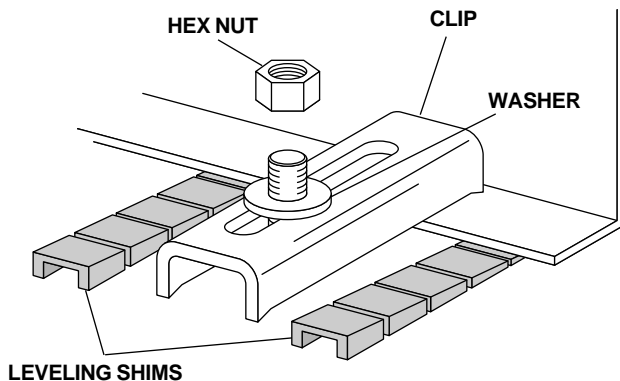


FIGURE 4

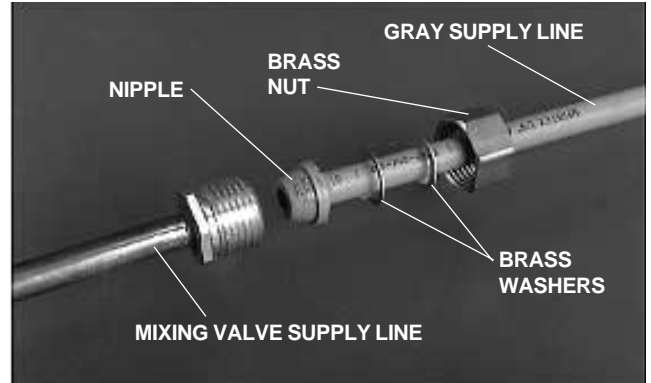


FIGURE 5

2. Remove the nuts from the manual shutoff valves, then discard the brass compression sleeves. Slide the nut and a new plastic compression sleeve onto both gray tubings (see *Figure 6*). Be sure the compression sleeve taper is toward the manual shutoff valve, then tighten the nuts firmly.

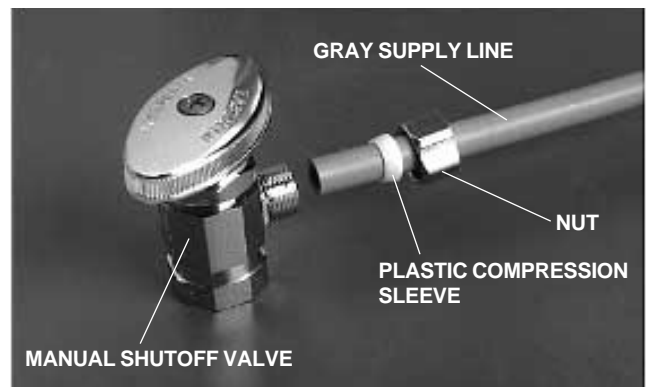


FIGURE 6

3. Cut both gray tubings 6 inches from the manual shutoff valves.

- Remove the nuts from each of the air-actuated valves. Discard the brass compression sleeves, if any, and install plastic compression sleeves. Slide the nuts and new plastic compression sleeves onto the newly cut gray tubing (*sleeve taper toward the valve*). Install the two valves with the flat manifold “step” toward the mixer valve, then tighten the nuts (see Figure 7).

IMPORTANT

The air-actuated valves must be installed with the flat manifold “step” toward the mixer valve supply line.

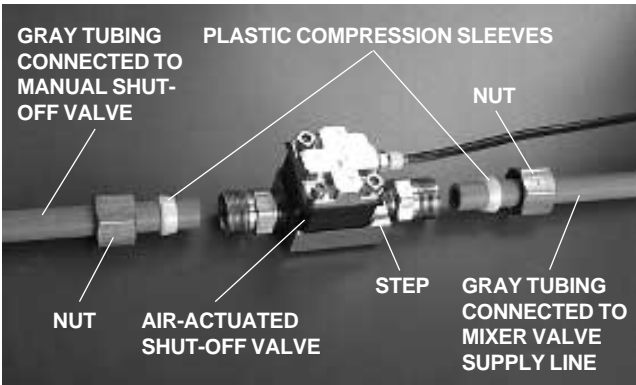


FIGURE 7

- Complete the faucet installation according to the instructions packaged with the faucet.
- Connect the master air tubing (*1/8" yellow with unbroken, except by logo, red stripe*) from the toe-plate valve inlet to the tee in the master air tubing from the utilities.

INSTALL THE WASH STATION DRAIN

GRAVITY DRAIN

- Connect the wash station to the office drain in accordance with prevailing local plumbing codes.

VACUUM DRAIN

(Applicable only to vacuum drained wash stations)

- The vacuum wash station drain requires at least 12 inches of vertical space below the end of the sink drain tube (see Figure 8).

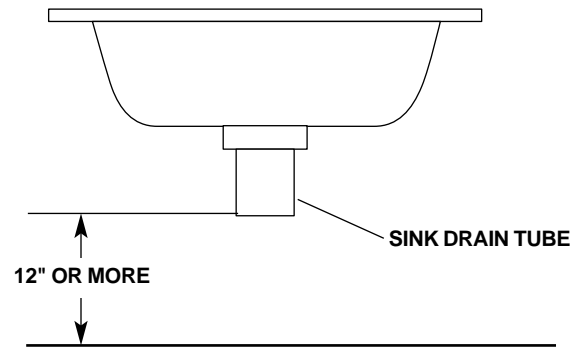


FIGURE 8

NOTE

If you are installing a drain loop-vent in the console, the loop-vent must be positioned between the sink and the closest end of the lower module.

- Install the vacuum wash station assembly onto the adapter, then tighten the thumbscrews in the groove (see Figure 9).

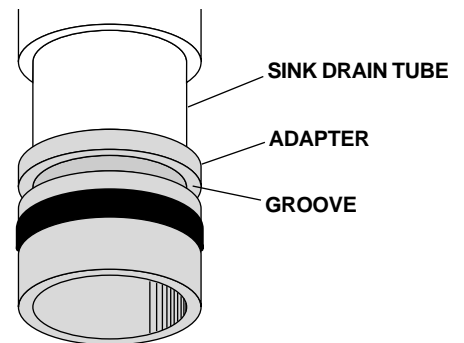


FIGURE 9

4. Install the convolute drain tubing from the vacuum valve to the central vacuum system. Trim the tubing as short as possible without stretching it. Connect the 1/8" yellow tubing from the vacuum signal valve to the matching 1/8" yellow tubing from the utilities.
5. Screw the solids separator jar onto the bottom of the vacuum drain assembly. Be sure the gasket is properly seated (see Figure 10).

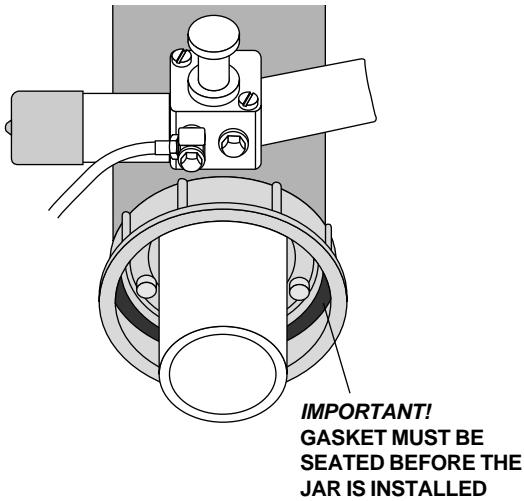


FIGURE 10

6. After installing the entire unit, turn ON the hot and cold water at the manual shut-off valves. Turn ON the air supply and vacuum system, then run water in the wash station. Check for leaks at all the connections, and especially around the solids collector jar.
7. Reinstall the false bottom and door (see Figure 11).

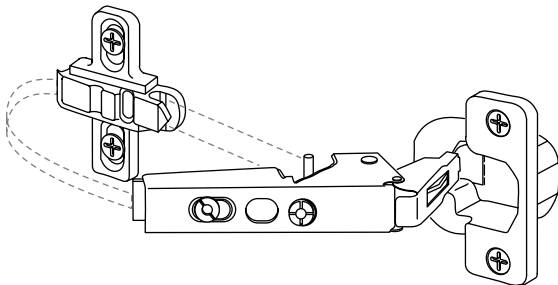


FIGURE 11

INSTALL THE SOAP DISPENSER

Screw on the bottle, then drop in the pump assembly and press the head assembly onto the pump assembly (see Figure 12).

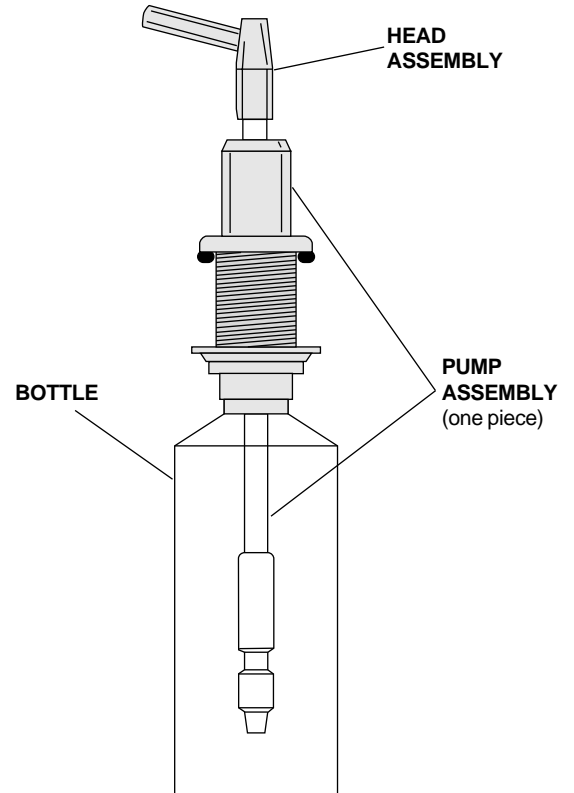


FIGURE 12

VACUUM DRAIN ADJUSTMENT

Refer to Figure 13.

There are two adjustments that control the operation of the vacuum drain shut-off valve; the vacuum signal valve adjustment, and the vacuum control needle valve adjustment.

If the vacuum actuator malfunctions, the wash station will drain continuously or will back up. In either case, follow the procedure listed below.

1. Close the vacuum control needle valve by turning it fully clockwise, then open it two full turns.

2. If the drain is operating continuously, use a 3/32" hex key to slowly turn the vacuum signal valve adjusting screw counterclockwise until the drain just closes and the vacuum sound stops. Now turn the screw counterclockwise one full turn more.

If water backs up into the bowl, use a 3/32" hex key to slowly turn the vacuum signal valve adjusting screw clockwise until you just hear vacuum sound as the drain opens. Now turn the screw counterclockwise until the vacuum sound just stops, then one more full turn counterclockwise.

3. Activate the bowl rinse a minimum of two times. The wash station should operate silently without water backing up in the bowl.

4. Adjust the vacuum control needle valve so the water level is about one inch above the bottom of the sight tube when the drain opens.

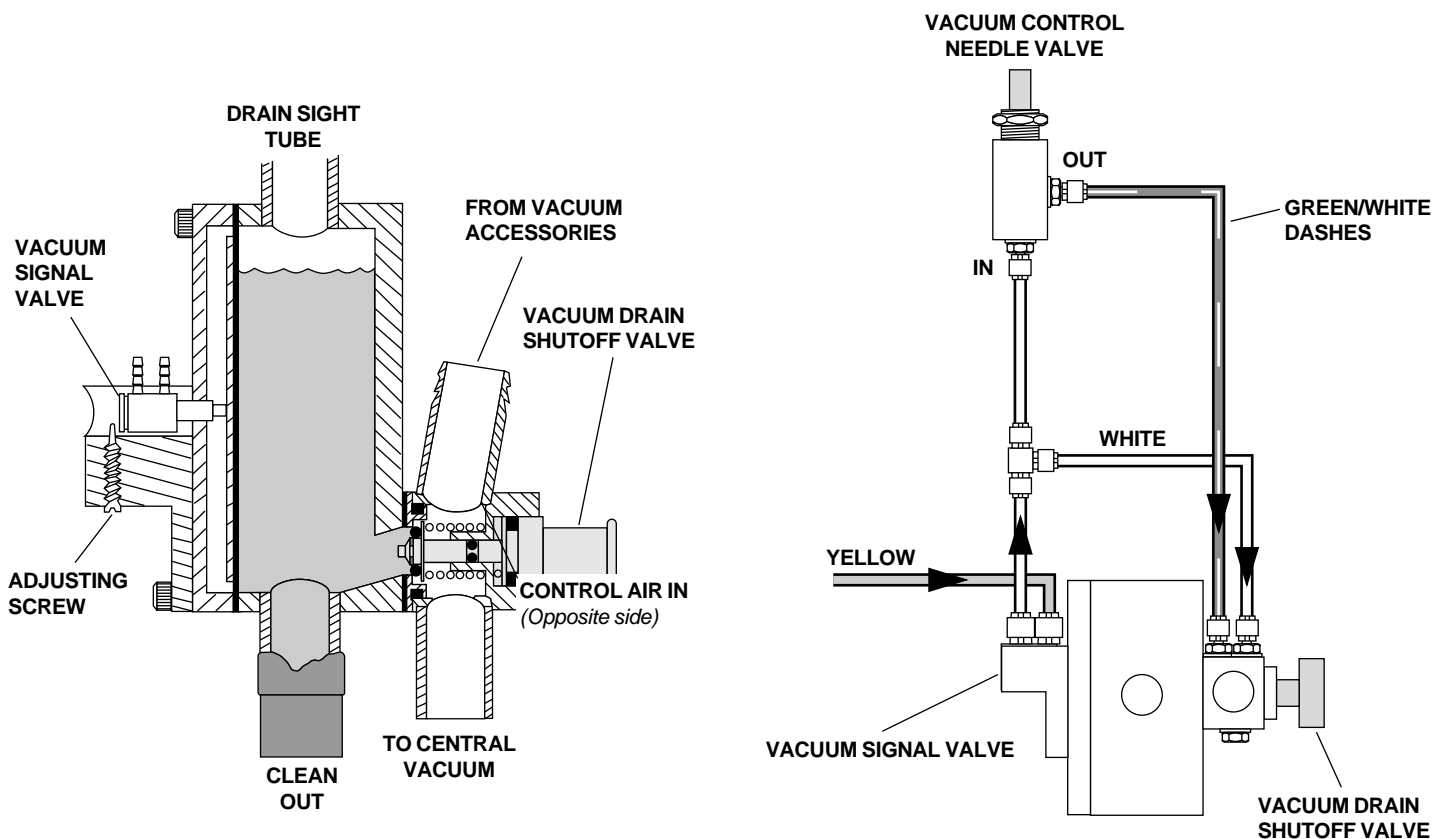


FIGURE 13

ADJUST THE CABINET DOOR

The cabinet door on the Preference II is adjustable for depth, height, and side-to-side alignment. To adjust a door, refer to Figure 14 and do the following:

DEPTH ADJUSTMENT

Loosen screw "A" on both the upper and lower door hinges one full turn. Move the door in or out to the desired depth and tighten the screws.

HEIGHT ADJUSTMENT

Loosen screws "B" on both the upper and lower door hinges one-quarter turn. Move the door up or down to the desired position and tighten the screws.

SIDE-TO-SIDE ADJUSTMENT

Turn screw "C" on both the upper and lower door hinges until the door is in the desired position.



FIGURE 14

Properly adjusted, a door should open and close without binding or rubbing. The door should also be evenly spaced in the opening, with no excessive gaps.