

A-dec 584 Monitor Mount on a Central Cabinet

Before You Begin

This procedure applies to the A-dec Inspire™ 592 Central Console and the standard and tall Preference® cabinet central consoles.

Recommended Tools

- 7/16" combination wrench
- Socket set and ratchet with 6" extension
- Phillips head screwdriver
- Standard screwdriver
- Level
- Hex key set ("T" handles recommended)

Important Information

Check with local building and code authorities about installation requirements specific to your location.



WARNING The cabinet must be bolted to the floor before you install the monitor mount.



CAUTION Use an SJT type cable when connecting power to the monitor. SJT cables are more durable than the SVT cables typically provided by monitor manufacturers and are required when routed through moving arms. Use a monitor that weighs 20 lb or less and fits on a 75 mm or 100 mm VESA pattern mount. Always follow local building and electrical codes.



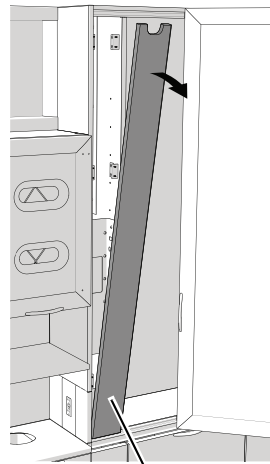
NOTE Not all parts included in this kit may be necessary for your particular installation or configuration.



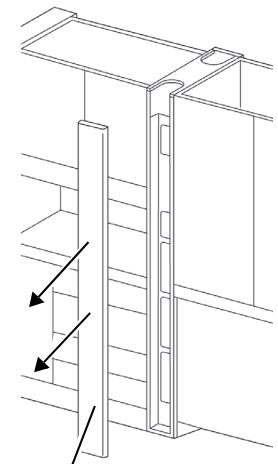
CAUTION When removing or replacing covers, take care not to damage any wiring. Verify that the covers are secure after replacing them.

Remove the Covers

1. Remove the upper x-ray column insert or the end cap.



Upper X-Ray Column Insert



End Cap

592 Central Console

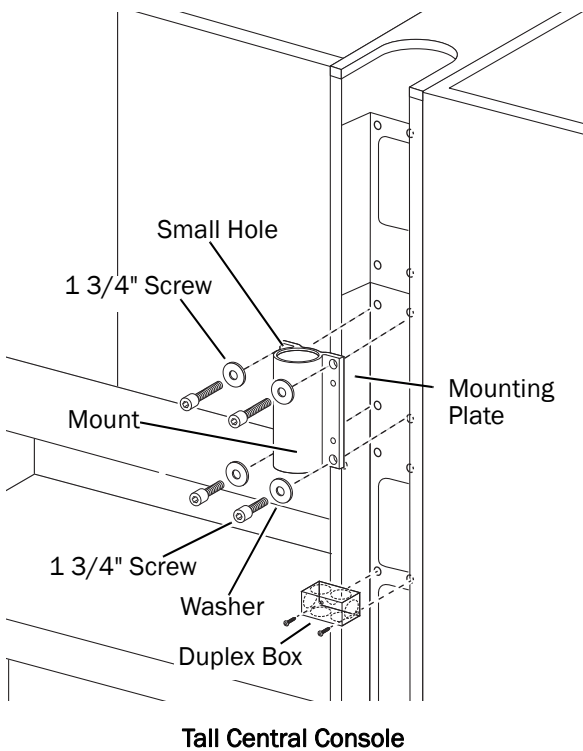
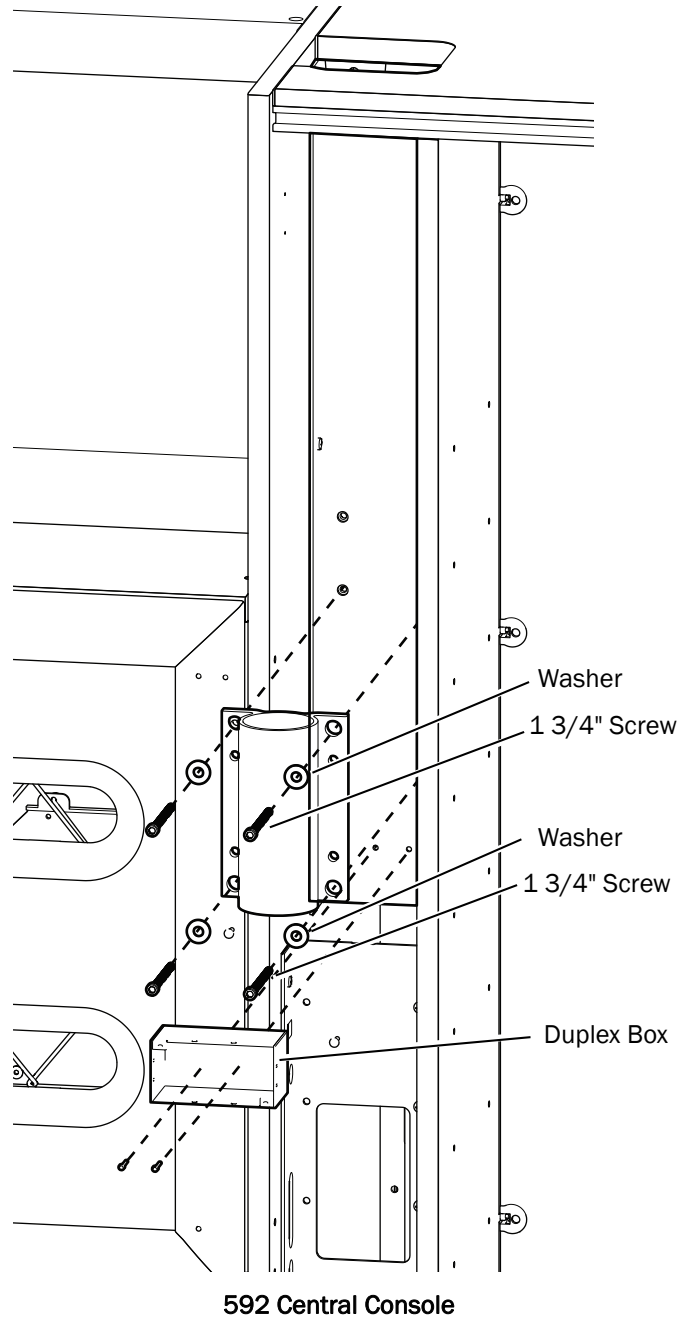
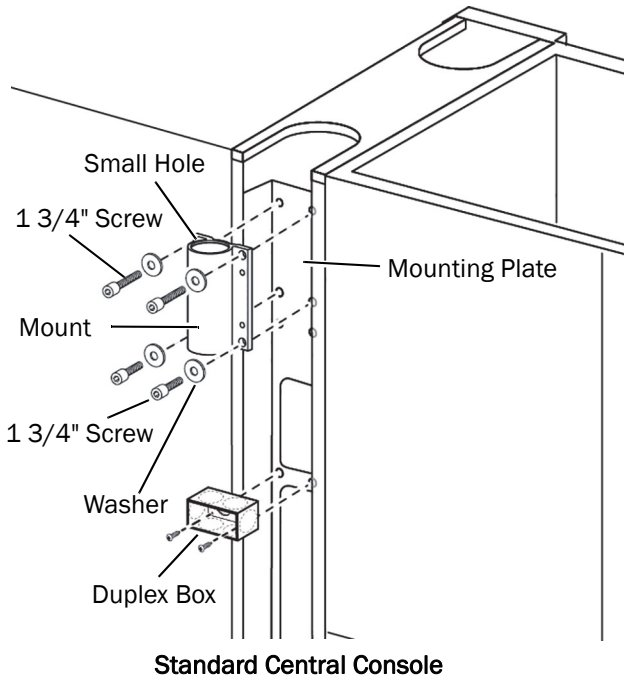
Preference Collection



NOTE A strong pull may be required to loosen the cover.

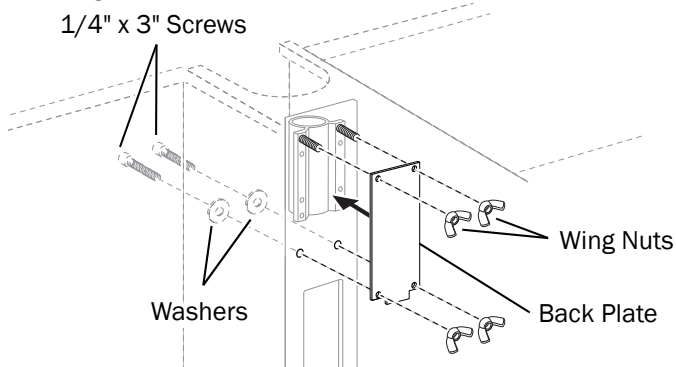
Attach the Mount

1. Position the smaller hole in the mount to the top left hole of the mounting plate.
2. Use a 3/16" hex key, the 1 3/4" screws, and washers to secure the mount.



Install the Back Plate (Preference Collection Only)

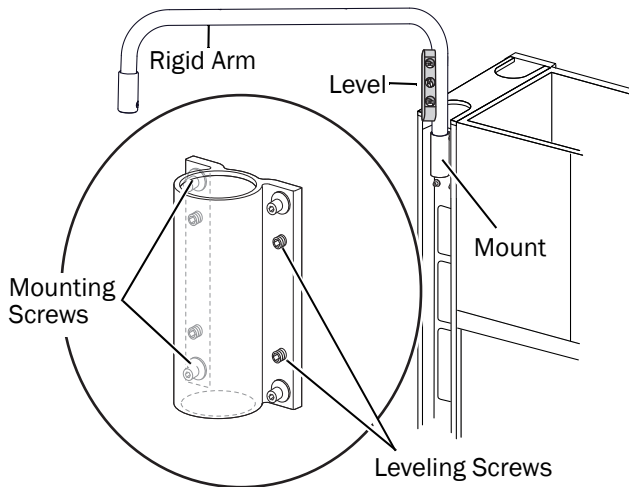
1. Place the washers on the 1/4" x 3" screws and screw them into the two holes under the mount.
2. Slide the back plate over the screws and secure with wing nuts.



TIP It may be easier to install the wing nuts from the top or the opposite side of the cabinet.

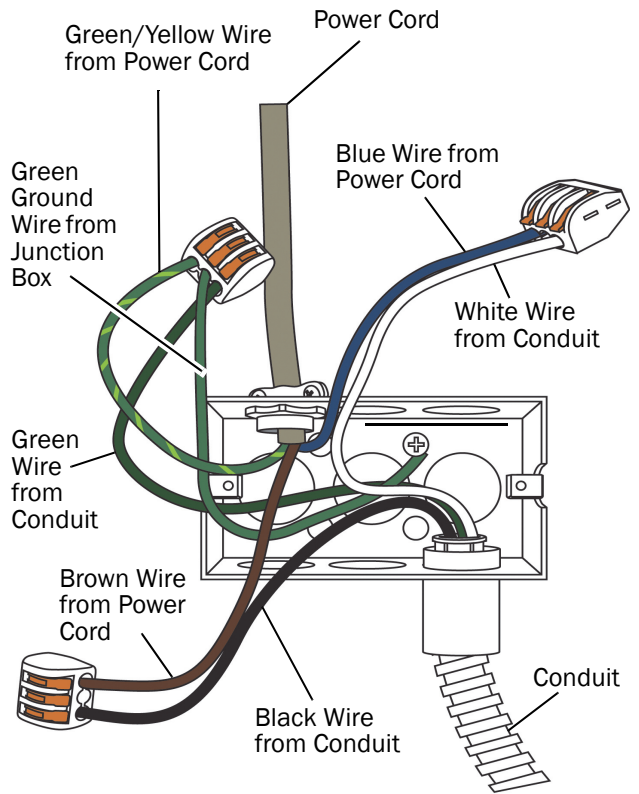
Install the Rigid Arm

1. Slide the rigid arm into the mount.
2. Place the level on the vertical section of the rigid arm, and rough level the mount. Loosen the mounting screws and adjust the leveling screws until the mount is level.



Wire the Duplex Box

1. Connect the power cord to the conduit in the duplex box.

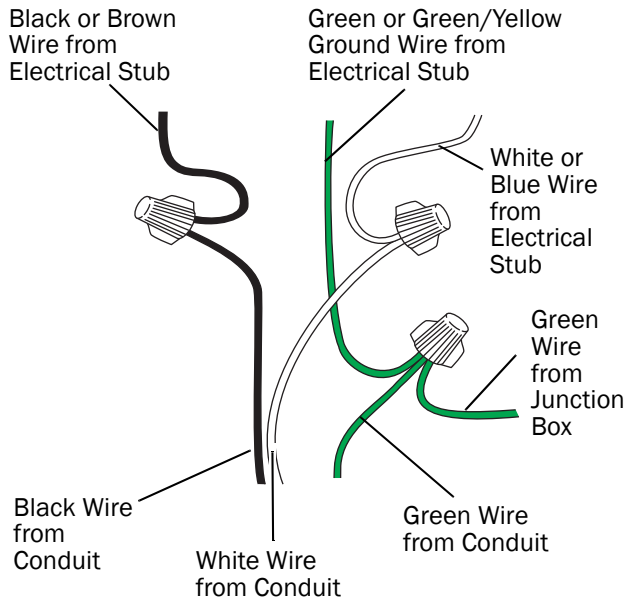


Wire the Central Column

1. Connect the conduit to the electrical stub in the central column.

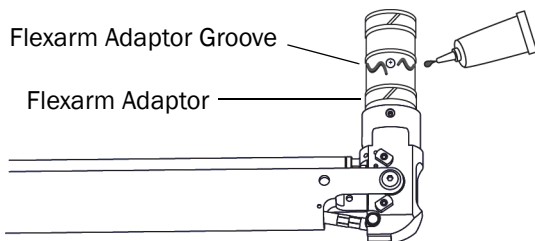


NOTE For hard wired applications, an electrician or another qualified personnel must make the connections per local codes and regulations.

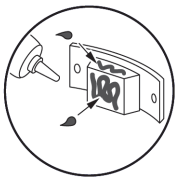


Install the Flexarm

1. Apply a light coat of Lubriplate™ to the flexarm adaptor groove.



2. Lubricate the flexarm joint retainer.

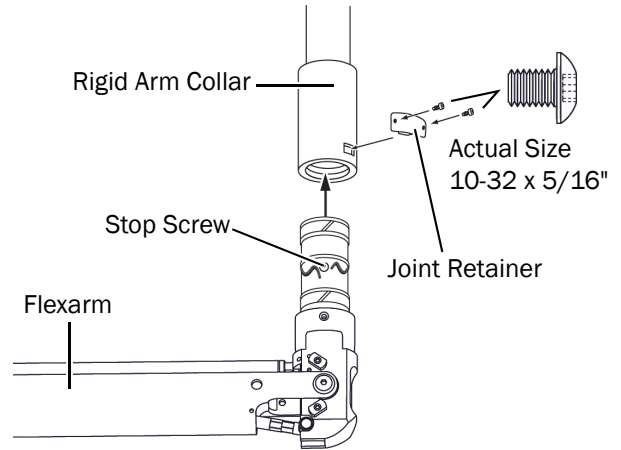


3. Insert the flexarm in the rigid arm collar.



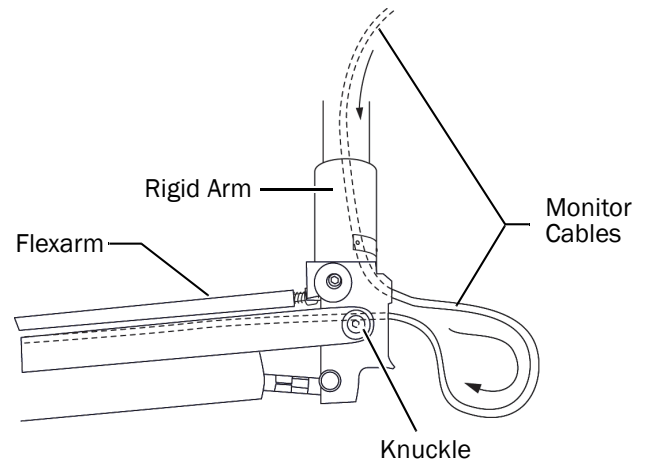
WARNING Failure to securely hold the flexarm while you install the joint retainer can lead to product damage and result in serious injury.

4. Keep a firm hold on the flexarm while you use a 1/8" hex key to secure the joint retainer with two 10-32 x 5/16" screws.



NOTE Take note of the position of the stop screw before securing the flexarm. For more details, see "Change the Rotation Stop Location" on page 6.

5. Route the monitor cables down and through the rigid arm, and then through the flexarm knuckle.



Install the Monitor Rotation Adaptor



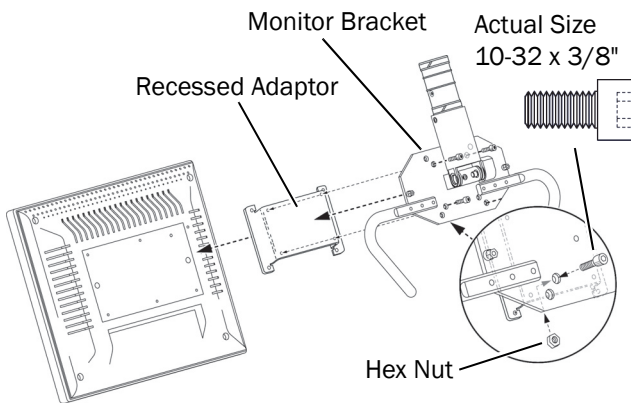
NOTE If the monitor is not available to install at this time, leave this installation guide for the person who will install the monitor and level the mount.



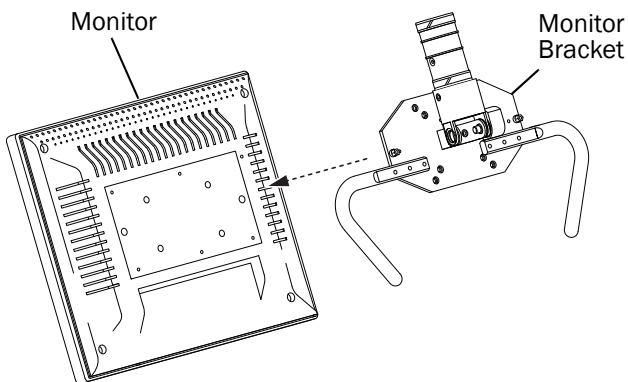
NOTE The monitor mount is designed to accommodate:

- A medical grade monitor
- 20 lb maximum monitor weight
- Either a 75 mm or 100 mm VESA pattern mount
- Only monitors configured with an internal power supply

1. If the mounting holes on the monitor are recessed, use four 10-32 x 3/8" socket head screws and nuts to install the recessed adaptor.

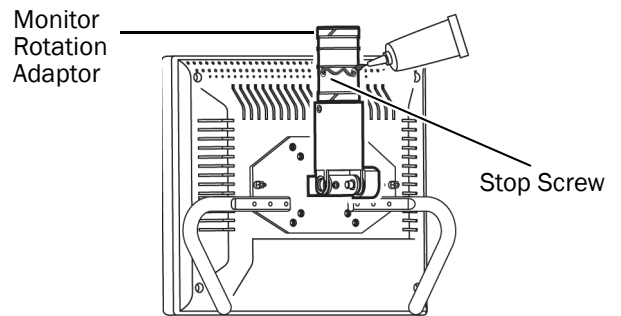


2. Attach the monitor to the monitor bracket. Use the four metric screws provided with the monitor.

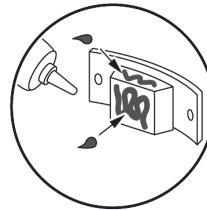


Install the Monitor

1. Apply a light coat of Lubriplate to the monitor rotation adaptor.

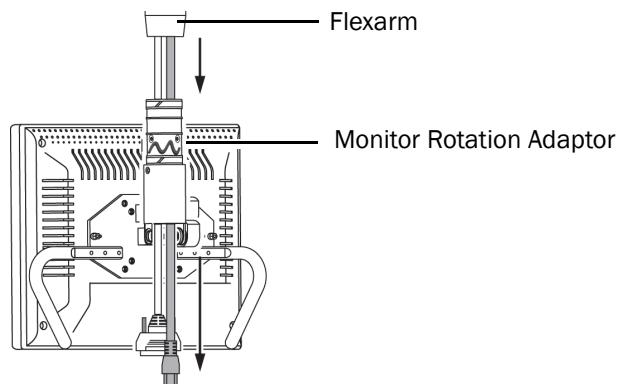


2. Lubricate the joint retainer.

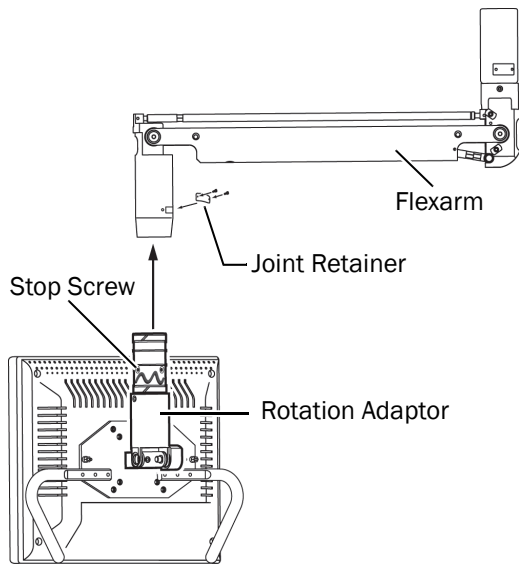


WARNING Failure to securely hold the flexarm while you install the joint retainer can lead to product damage and result in serious injury.

3. Route the monitor cables down through the adaptor.



4. Insert the monitor rotation adaptor in the flexarm or rigid arm.
5. Use a 1/8" hex key and two 5/16" screws to secure the joint retainer.

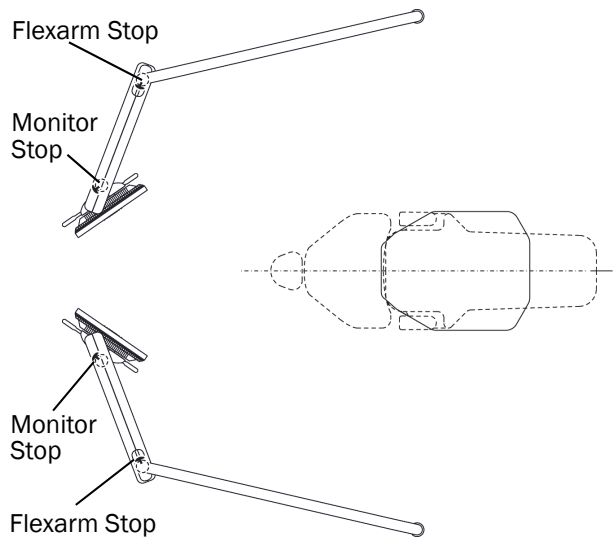


NOTE Take note of the position of the factory-installed stop screw before securing the monitor bracket. For more details, see "Change the Rotation Stop Location" on page 6.

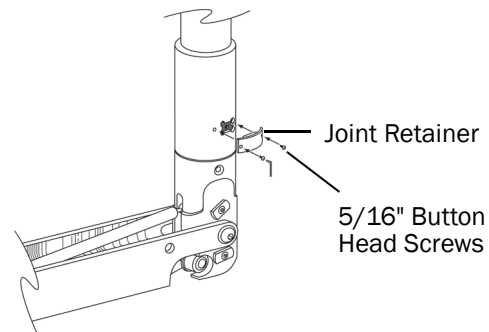
Adjust the Monitor Mount

Change the Rotation Stop Location

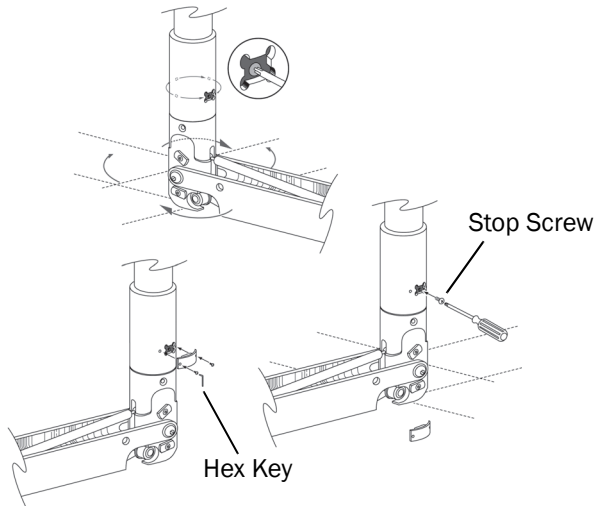
The stop screw sets the rotation limits. Two joint locations (monitor and flexarm) with four stop screw positions at each location rotate 310° from stop to stop. To achieve the proper rotation angle of the flexarm or monitor adaptor, you must move the corresponding stop screw to one of the four stop screw positions.



1. Use a 1/8" hex key to remove the screws securing the joint retainer, and then remove it.
2. Rotate the flexarm or adaptor until the stop screw is visible.

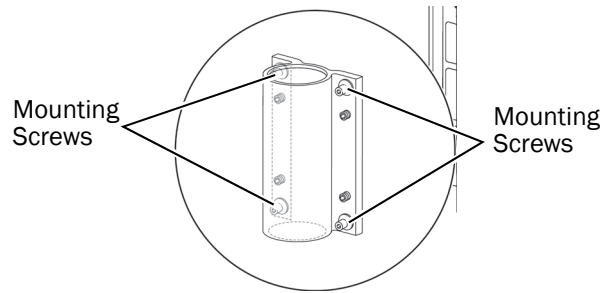


3. Use a Phillips head screwdriver to remove the stop screw.
4. Rotate the flexarm or adaptor to locate a new mounting hole location.
5. Install the stop screw.
6. Rotate the arm away from the stop screw, and reinstall the joint retainer.

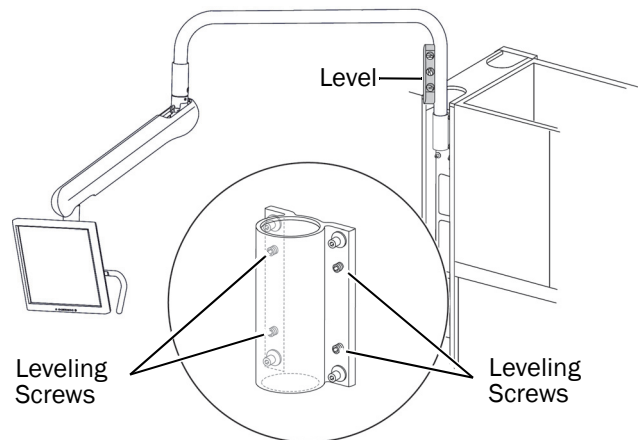


Level the Monitor Mount

1. Loosen the four mounting screws in the corners of the mount.



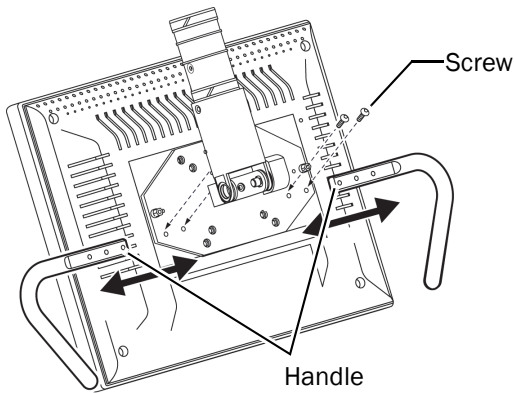
2. Place a level on a vertical section of the rigid arm.
3. Use the leveling screws to level the arm.



4. Once the arm is level, securely tighten the mounting screws.

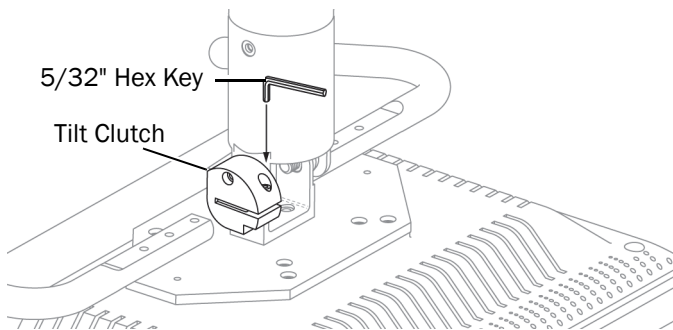
Adjust the Monitor Handle

Use a 5/32" hex key to remove the screws securing the monitor handles to the monitor. Move the handles to the desired position and secure with screws.



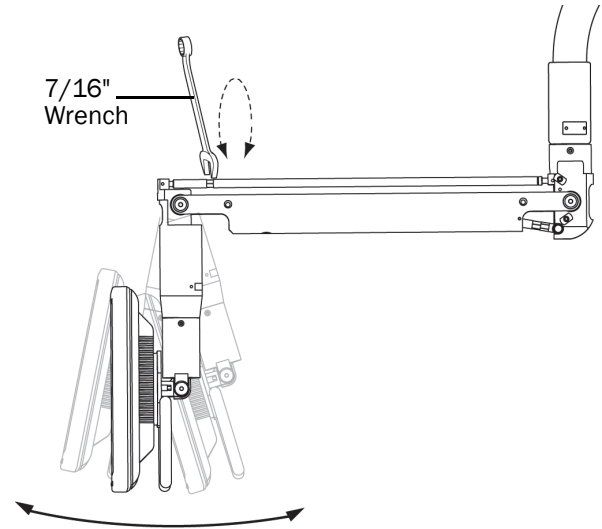
Adjust the Tilt Friction

The tilt friction adjustment allows you to adjust the pivot tension of the monitor. Use a 5/32" hex key to adjust the tilt friction.



Align the Lower Vertical Post

Use a 7/16" wrench to adjust the alignment of the lower vertical post so it is perpendicular to the floor.

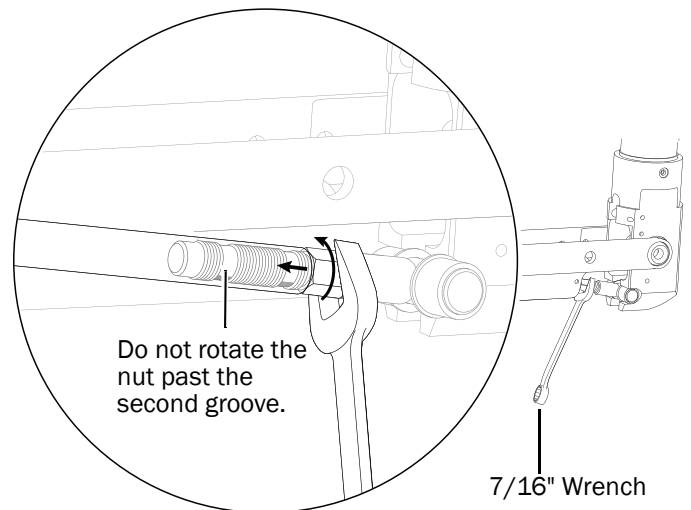


Adjust the Flexarm Counterbalance

When you install the monitor, the flexarm might drift slightly up or down. If the flexarm drifts down, increase the tension. If it drifts up, see "Decrease the Tension" on page 9.

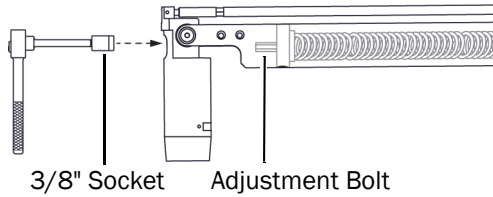
Increase the Tension

Use a 7/16" wrench to turn the nut. Do not rotate the nut past the second groove.



Decrease the Tension

Use 3/8" socket and ratchet with a 6" extension to loosen the bolt at the front of the flexarm. The factory preset for this bolt is all the way in so, initially, you can only loosen the bolt.



Test the Installation

1. Verify ease of motion and range of motion of the monitor.
2. Verify that the monitor functions properly.

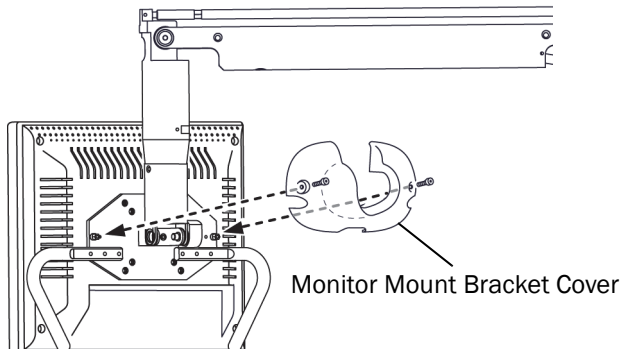
Install the Covers



CAUTION When removing or replacing covers, take care not to damage any wiring. Verify that the covers are secure after replacing them.

Install the Monitor Bracket Cover

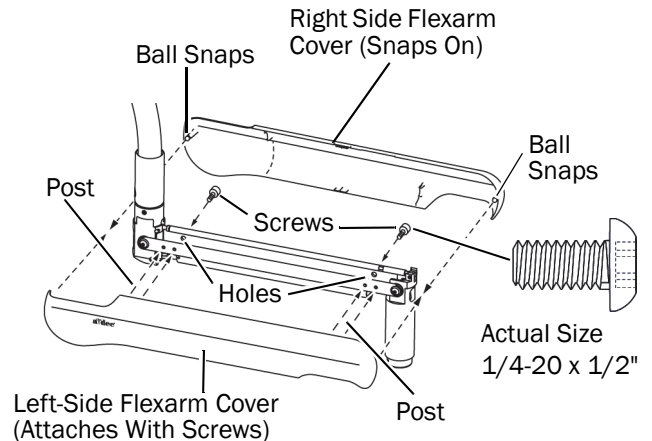
1. Use two screws and a 1/8" hex key to attach the monitor mount bracket cover.



NOTE The monitor mount bracket cover is designed to accommodate only monitors configured with an internal power supply.

Install the Flexarm Covers

1. Insert the two posts of the left-side cover into the outside holes on the flexarm.
2. Use a 5/32" hex key through the access hole and two 1/4-20 x 1/2" screws to secure the left-side cover.
3. Line up the ball snaps and snap the covers together.



Install the Covers for the Central Cabinets

1. Install the upper x-ray column insert or end cap.



NOTE You may have to apply firm pressure on the cover.

Regulatory Information

Regulatory information mandated by agency requirements is provided in the *Regulatory Information, Specifications, and Warranty* document (p/n 86.0221.00), which is available in the Document Library at www.a-dec.com.

Lubriplate is a trademark of the Lubriplate Lubricants Co.

A-dec Headquarters

2601 Crestview Drive
Newberg, OR 97132 USA
Tel: 1.800.547.1883 Within USA/CAN
Tel: +1.503.538.7478 Outside USA/CAN
Fax: 1.503.538.0276
www.a-dec.com

A-dec Inc. makes no warranty of any kind with regard to the content in this document including, but not limited to, the implied warranties of merchantability and fitness for a particular purpose.



Product Models and Versions Covered in this Document

Models	Versions	Description
A-dec 584	A	Monitor Mount
A-dec Inspire 592	A	Dental Furniture
A-dec Preference Collection	A	Dental Furniture

