



# Connecting the A-dec 371 or 571-300 Dental Light on an A-dec 511 Dental Chair

## INSTALLATION GUIDE

This document contains installation instructions for connecting the A-dec 371 or 571-300 light to an A-dec 511 chair.



**DANGER** Failure to turn off the power before you begin this procedure can lead to electrical shock.

---



**WARNING** Failure to turn off the power before you begin this procedure can lead to product damage and result in serious injury or death.

---



**CAUTION** The circuit board is static sensitive. ESD precautions are required. The circuit board should be installed by an electrician or qualified service personnel.

---

### Installing

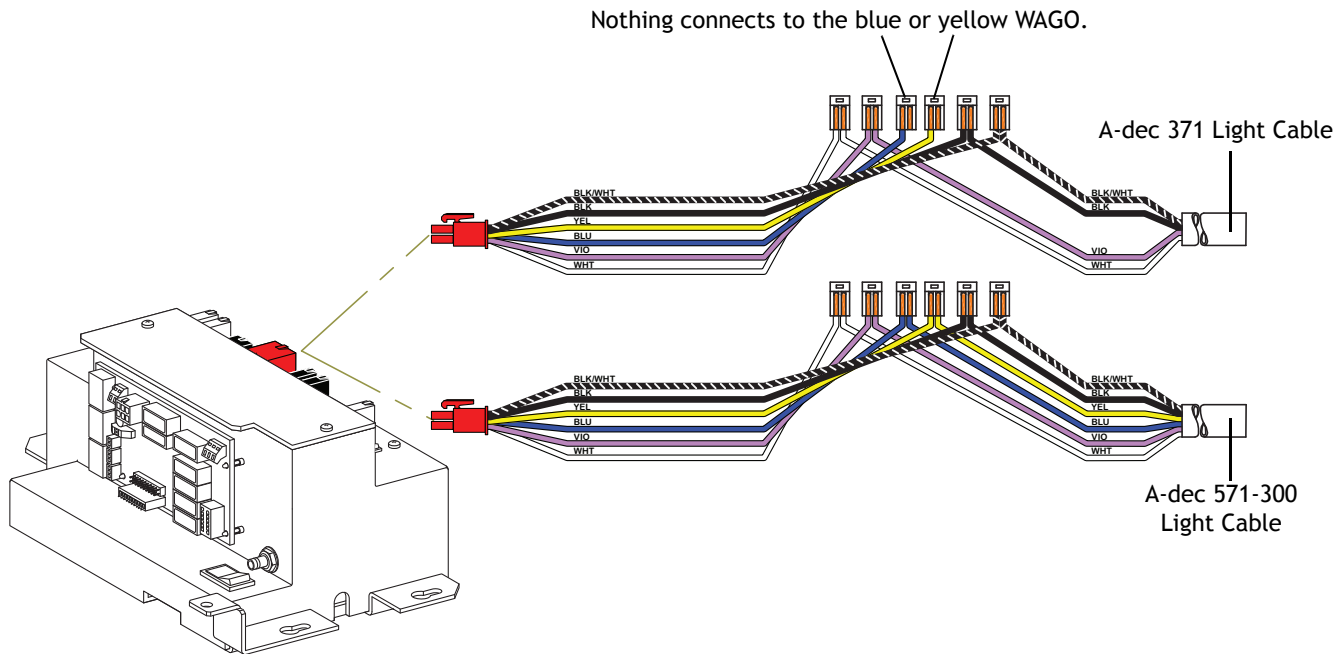
1. Route the dental light cable through the bottom of the support center, under the post mount, down through the chair and to the chair power supply area. Route the cable away from pinch points and down the lift arm, following other cables. Leave a sufficient service loop.

2. Connect the dental light wires to the WAGOs on the adaptor cable from the light box. Connect the wires to the WAGO connectors that match their color (see Figure 1 on the next page).
  - A-dec 371 has black, violet, black/white, and white wires.
  - A-dec 571-300 has black, violet, black/white, white, blue, and yellow wires.
3. Plug the red end of the adapter cable into the red connector on the 511 power supply.

### Testing the New Dental Light

1. Turn on the system power.
2. Verify that the dental light turns on and off by using the light button on the support center or delivery system touchpad.
3. Verify that the dental light changes between intensities.
4. Verify that the On/Off toggle switch on the dental light turns the dental light on and off.
5. For the 571-300 dental light only, verify that the intensity switch on the light changes the dental light intensities.

Figure 1. Dental Light Cable Connections



## Regulatory Information

Regulatory information is provided with A-dec equipment as mandated by agency requirements. This information is delivered in the equipment's *Instructions for Use* or the separate *Regulatory Information and Specifications* document. If you need this information, please go to the Document Library at [www.a-dec.com](http://www.a-dec.com).

### A-dec® Headquarters

2601 Crestview Drive  
Newberg, OR 97132 USA  
Tel: 1.800.547.1883 Within USA/Canada  
Tel: 1.503.538.7478 Outside USA/Canada  
Fax: 1.503.538.0276  
[www.a-dec.com](http://www.a-dec.com) / [www.a-dec.biz](http://www.a-dec.biz)

*A-dec Inc. makes no warranty of any kind with regard to the content in this document including, but not limited to, the implied warranties of merchantability and fitness for a particular purpose.*