



Preference Collection® 5531 Accessory Console INSTALLATION GUIDE



WARNING Failure to install the 5531 as described in this installation guide may cause the unit to collapse, resulting in serious injury to personnel.

Recommended Tools

- Leveling device
- Adjustable wrench
- Hex key set
- 7/16" wrench
- Phillips head screwdriver
- #2 POZI screwdriver for adjusting doors

Before You Begin

- Check with appropriate building and code authorities about local installation requirements.
- Ensure the manual air and water shutoff valves are installed where needed.

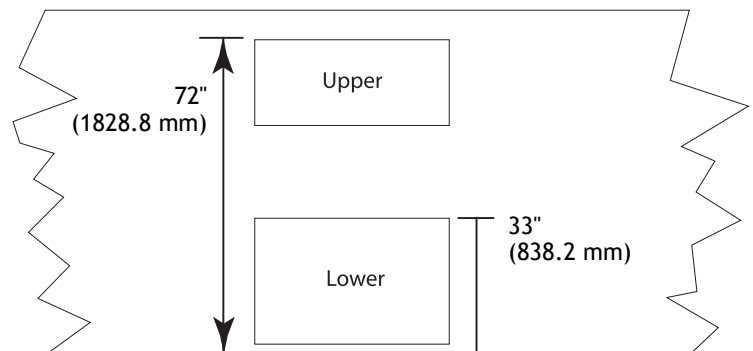


CAUTION Purge any debris from the air and water lines. Failure to do this causes leaks.

- If a wall-mounted upper storage module is being installed over the accessory console, install the upper storage first (see Figure 1).



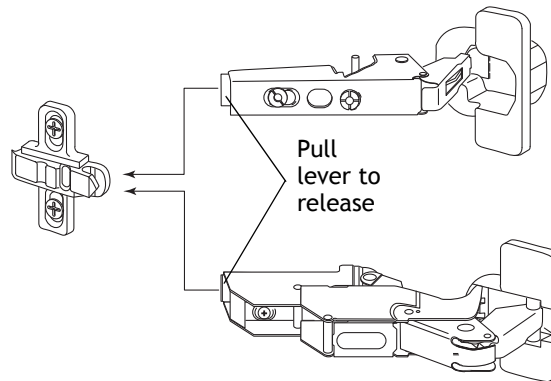
Figure 1. Install Upper Storage (recommended placement)



Before You Begin (cont.)

- The utilities must be installed according to prevailing building codes and the appropriate Preference Collection 5531 Accessory Console templates. For pre-installation instructions, refer to the *Dental Furniture Pre-Installation Guide* (p/n 86.0142.00) found in the Document Library on www.a-dec.com.
- Remove the drawers, doors and false bottoms from the console, making sure to note the locations for reassembly. The doors are fitted with quick release hinges (see Figure 2).

Figure 2. Quick-Release Hinges

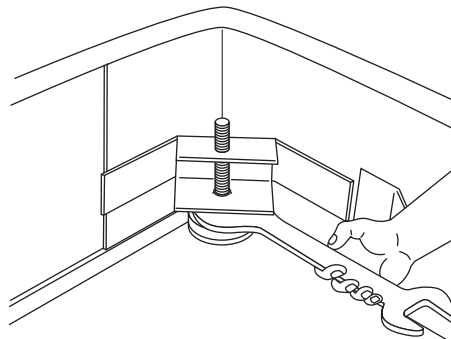


Installation Steps

Install the Console

1. If the 5531 console is being plumbed from the wall, for the delivery system or sink, remove the lower panels from the backside of the console.
2. Make the necessary cutouts to the panels and reattach to the console. Paint any raw edges with latex white paint.
3. Position the console in the area to be mounted.
4. Use a 7/16" open-end wrench to adjust each leveling foot located in the subbase (see Figure 3).
5. Check the level of the accessory console. Repeat Step 4 as necessary.

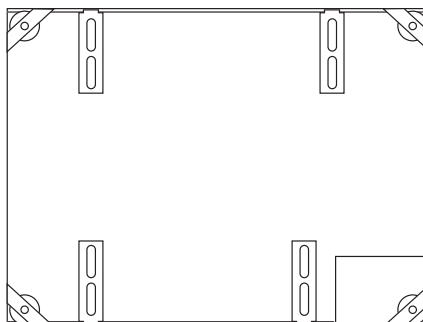
Figure 3. Level the Treatment Console



Prepare to Anchor the Subbase

1. Remove the false bottoms from each module to access the subbase.
2. Place the four anchor clips onto the subbase lip as close as possible to the corners of the module (see Figure 4).

Figure 4. Anchor Clip Positions



3. Mark the floor where the anchor clip will be bolted (see Figure 5). Mark the bolt location as close as possible to the subbase. Remove the anchor clip.

Anchor the Subbase for Concrete Floors

1. At the locations marked, drill 1/2" (12.7 mm) diameter holes a minimum of 3-1/2" (88.9 mm) deep. Drive the bolts into the holes (see Figure 6).
2. Reinstall the anchor clips over the subbase lip (see Figure 6).
3. Loosely install a hex nut and washer over an anchor clip onto each bolt.
4. To bolt down the console, position shims under the subbase beneath the area of the anchor clip as necessary (see Figure 6). Tighten each bolt firmly. If the shims protrude beyond the subbase, trim the excess.

Anchor the Subbase for Non-Concrete Floors

1. Drill 9/32" (7.1 mm) diameter holes a minimum of 1-1/2" (38.1 mm) deep (see Figure 7). If the flooring material is not at least 1-1/2" (38.1 mm) thick, consult your licensed contractor about adding reinforcement to the flooring.
2. Reinstall the anchor clips over the subbase lip (see Figure 7).
3. Loosely install a bolt with a washer through each anchor clip into each drilled hole.
4. To bolt down the console, position shims under the subbase beneath the area of the anchor clip as necessary. Tighten each bolt firmly. If the shims protrude beyond the subbase, trim the excess (see Figure 7).

Figure 5. Mark the Drilling Location

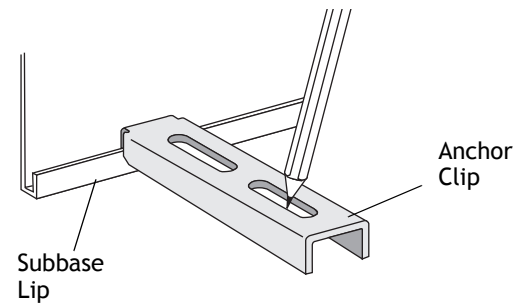


Figure 6. Install Bolt, Nut, Washer, and Anchor Clip (Concrete)

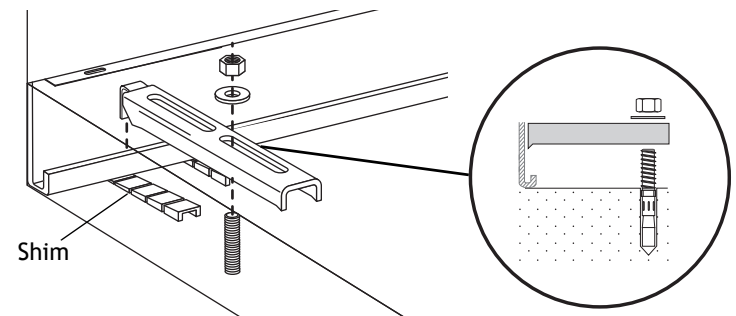
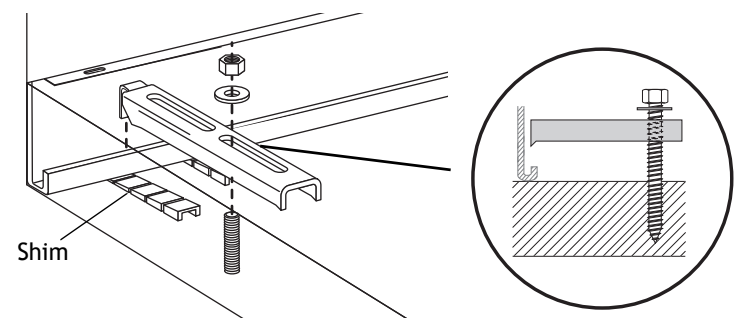


Figure 7. Install Bolt, Nut, Washer, and Anchor Clip (Non-Concrete)



Install the Open-End Countertop



NOTE If the console does not have an open-end countertop, go to “Connect the Shutoff Valves” on page 5. If the console does have an open-end countertop, follow the steps below.

1. Locate and mark the stud locations in the area where the open-end countertop support block will be installed. Be sure to mark the center of the stud.
2. Position the support block against the wall as shown in Figure 8. Mark the stud locations on the support block.
3. Two screws are required to hold the countertop support block in place. Drill two 1/4" (6.4 mm) diameter holes through the support block and the wall.
4. If both of the mounting holes are located in a stud, install two #10 x 3" screws into the stud.
5. If only one of the two mounting holes is in a stud, install one #10 x 3" screw into the stud. Then, follow the instructions below to install the second screw.

Secure the Support Block

1. Enlarge the diameter of the hole in the wall to 1/2" (12.7 mm). Hold the metal channel of the toggle bolt anchor flat against the plastic straps (see Figure 9).
2. Push the channel fully through the 1/2" (12.7 mm) diameter hole and gypsum wallboard.
3. Pull on the handle of the toggle bolt anchor, without bending the plastic straps, until the channel rests flush on the gypsum wallboard (see Figure 10).
4. Keep pulling on the handle and slide the plastic cap down the plastic straps until it is flush with the wall. Release the handle
5. Push the straps side to side, snapping off the straps at the wall (see Figure 11).
6. Secure the support block using one 1/4"-20 screw.

Figure 8. Top and Front Views

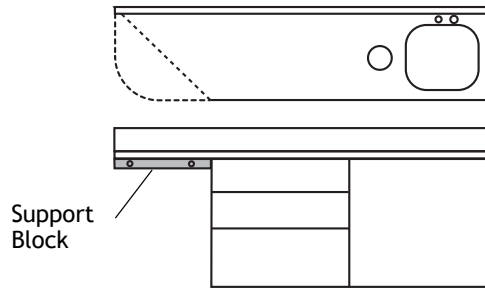


Figure 9. Insert Toggle Bolt Anchor

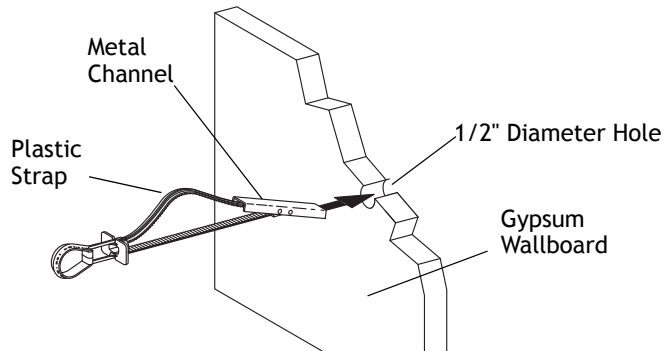


Figure 10. Rest the Anchor on the Wallboard

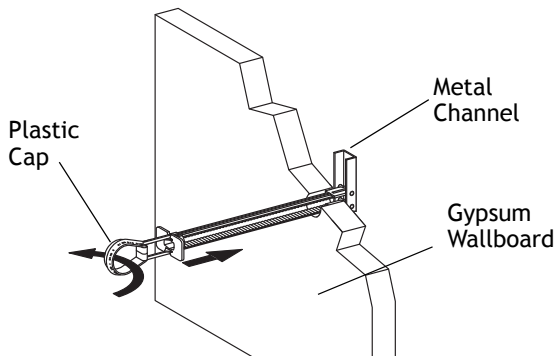
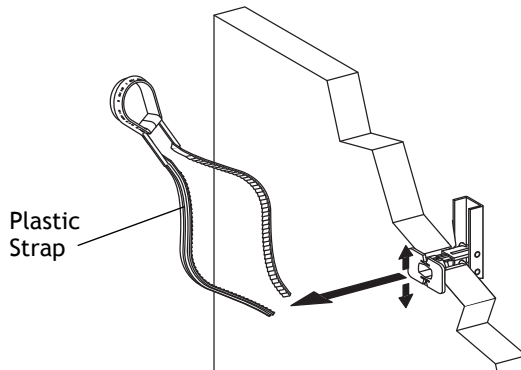


Figure 11. Snap Off the Straps



Connect the Shutoff Valves

1. Purge the air and water manual shutoff valves of debris.
2. Remove the nuts from the manual shutoff valves (not supplied) and discard the brass compression sleeves. Install a filter into both gray tubings and connect to the shutoff valves. Firmly tighten each nut (see Figure 12).
3. Cut both gray tubings 6" (152.4 mm) from the manual shutoff valves.
4. Remove the nuts from each of the air-actuated valves. Discard the brass compression sleeves if present and install the plastic compression sleeves.
5. Slide the nut and new plastic compression sleeve onto the newly cut gray tubing. Be sure the tapered end of the compression sleeve is pointed towards the end of the tubing.



NOTE The air-actuated valves must be installed in the direction shown in Figure 13.

6. Install the two air-actuated valves.

Complete the Plumbing Connections

1. Connect the pilot air tubing (yellow with red dashes, 1/8" OD) from the knee-activated door valve under the countertop to the tee in the pilot air tubing coming from the two water shutoff valves (see Figure 14).
2. Connect the master air tubing (yellow with red stripe, 1/8" OD) to the air shutoff valve (see Figure 14).
3. Connect the wash station drain to the office drain in accordance with prevailing local plumbing codes.

Figure 12. Install Tubing to Shutoff Valve

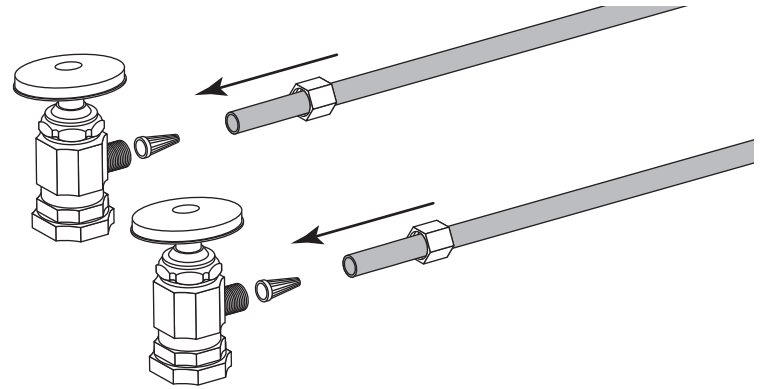


Figure 13. Install Air-Actuated Shutoff Valves

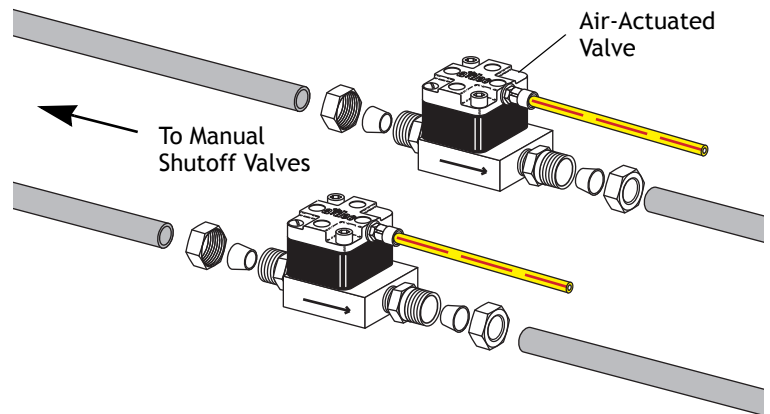
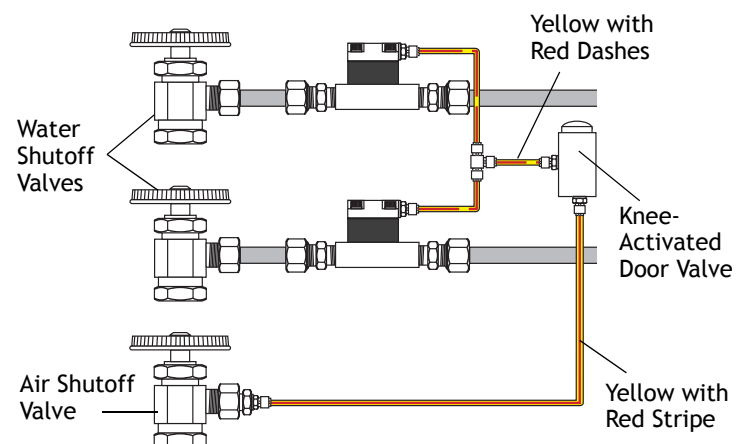


Figure 14. Connect Pilot and Master Air Tubing



Reinstall the Doors and Drawers

Reinstall the doors and drawers (see Figure 15).

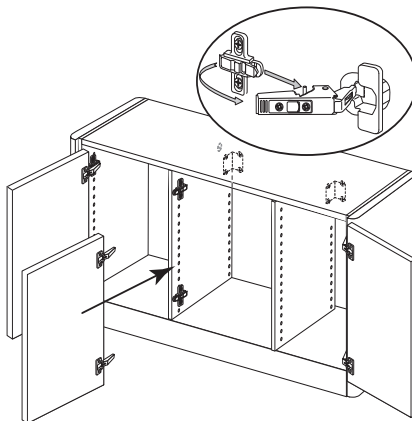


NOTE Doors and drawers are individually adjusted for proper positioning when manufactured. You must return them to their original position or fit and function may be compromised.



NOTE Some bottom drawer knobs are installed backwards so they are not damaged during shipping. Remove these knobs and reinstall them in the correct orientation.

Figure 15. Install the Doors and Drawers



Adjustments

Adjust the Drawer Fronts

1. To move the drawer front up, turn the screw in the hinge clamp to the right (see Figure 16).
2. To move the drawer front down, open the hinge with a screwdriver, turn the screw to the left, and push the drawer front down (see Figure 17).
3. Close the clamp and turn the screw to the right until the drawer front is in the desired position.

Figure 16. Adjust Drawer Front Up

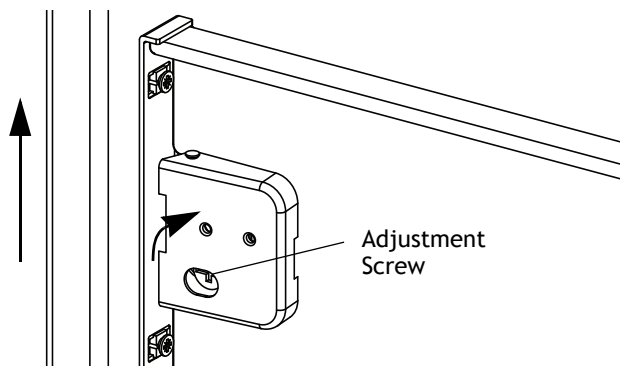
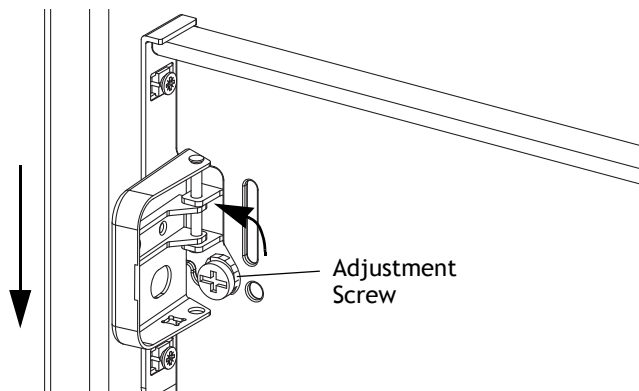


Figure 17. Adjust Drawer Front Down



Door Alignment

The console doors are adjustable for depth, height, and side-to-side alignment (see Figure 18).



CAUTION To avoid stripping the screws, use a #2 POZI screwdriver when making adjustments to the door hinges.

Depth Adjustment

Turn the depth adjustment screw (see Figure 18) on both the upper and lower door hinges until the door is in the desired position.

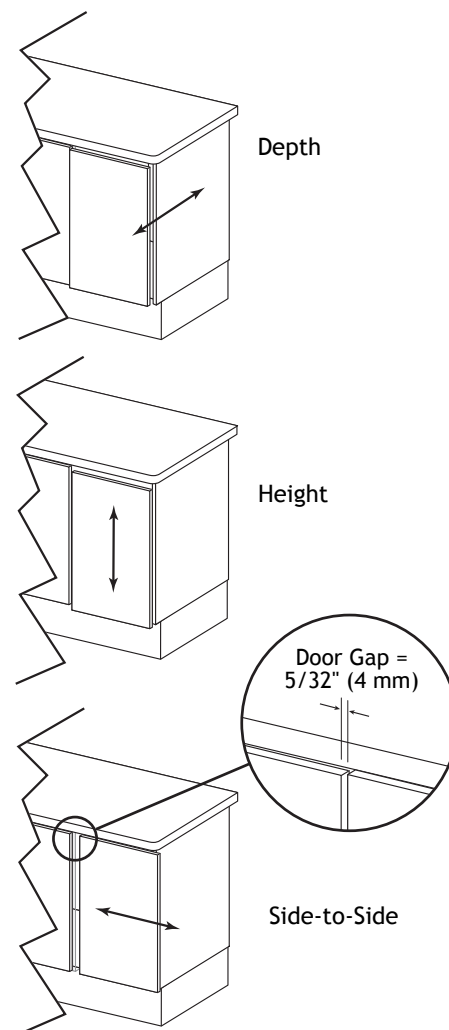
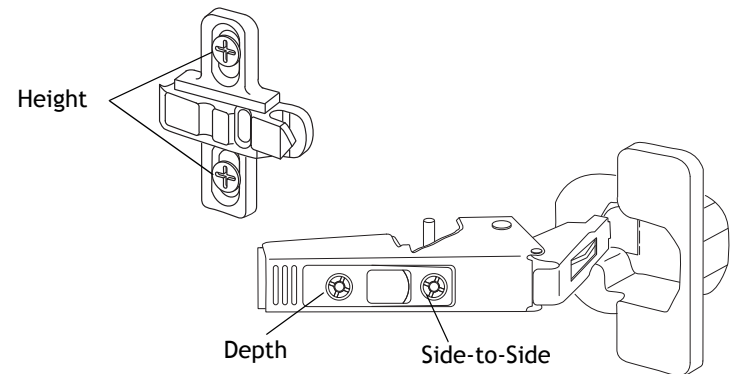
Height Adjustment

Loosen the height adjustment screw (see Figure 18) one-quarter turn on both the upper and lower hinge mounting plate. Move the door up or down to the desired position, then tighten the screws.

Side-to-Side Adjustment

Turn side-to-side adjustment screw on both the upper and lower door hinges until the door is in the desired position. The gap between the doors should be $5/32$ " (4 mm) (see Figure 18).

Figure 18. Door Adjustment Screws



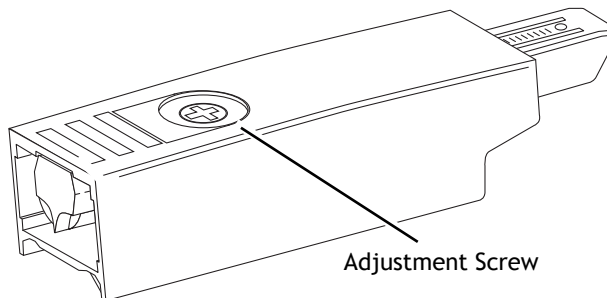
Soft Close Adjustment

The soft close mechanism can be adjusted. Turn the screw counterclockwise to further dampen the door closing.



NOTE The soft close device can be over extended causing it to stick. Turn the adjustment screw clockwise until the mechanism releases.

Figure 19. Soft Close Adjustment



Regulatory Information

Regulatory information is provided with A-dec equipment as mandated by agency requirements. This information is delivered in the equipment's *Instructions for Use* or the separate *Regulatory Information and Specifications* document. If you need this information, please go to the Document Library at www.a-dec.com.

A-dec® Headquarters

2601 Crestview Drive
Newberg, OR 97132 USA
Tel: 1.800.547.1883 Within USA/Canada
Tel: 1.503.538.7478 Outside USA/Canada
Fax: 1.503.538.0276
www.a-dec.com / www.a-dec.biz

A-dec Inc. makes no warranty of any kind with regard to the content in this document including, but not limited to, the implied warranties of merchantability and fitness for a particular purpose.

