



Preference Collection®

5732 X-Ray Storage Insert

INSTALLATION GUIDE

This guide contains the following sections:

- Before You Begin
- Recommended Tools
- Installation Steps
- Adjustments

Before You Begin

- Refer to the *A-dec Dental Furniture Pre-Installation Guide* (A-dec P/N 86.0142.00) for framing requirements and other pre-installation instructions.
- Shims are not provided with the insert. Acquire wooden shims for support, leveling, and squaring the x-ray storage insert during installation.

Recommended Tools

- Phillips screwdriver
- Leveling device
- Power screwdriver with Phillips bit
- #2 Pozi driver

Figure 1. Preference Collection 5732 X-Ray Storage Insert



Installation Instructions

Remove the Packaging

1. Remove the x-ray storage insert from the shipping carton.
2. Open the bifold doors and remove the eight Phillips screws and the shipping filler board from the insert. See Figure 2. Retain the board and screws for later use.



NOTE Do not remove the bifold doors. This installation does not require their removal.

Install the X-Ray Storage Insert

1. Place the insert in the framed opening in the wall with the bifold door hinges toward the 6 o'clock position. See Figure 3.



WARNING To avoid personal injury, two people are necessary to install the x-ray insert.

2. Center the x-ray storage insert within the opening so that it extends equally on both sides of the wall. See Figure 4.
3. Reinsert the shipping filler board. The board will ensure that the insert is square during the installation process. Offset the shipping filler board so you can access the screw holes.
4. Determine which stud inside the framed opening will be used to mount the x-ray equipment. (The x-ray equipment will nearly always be mounted on the side of the insert opposite the hinges.) Check this stud to see that it is plumb, straight, and free of voids or major imperfections. If all these conditions are met, no shims will be needed on this side of the insert.
5. Position the insert so that the x-ray mounting side is flush to the stud. Insert shims only where necessary along this stud.

Figure 2. Remove the Packaging

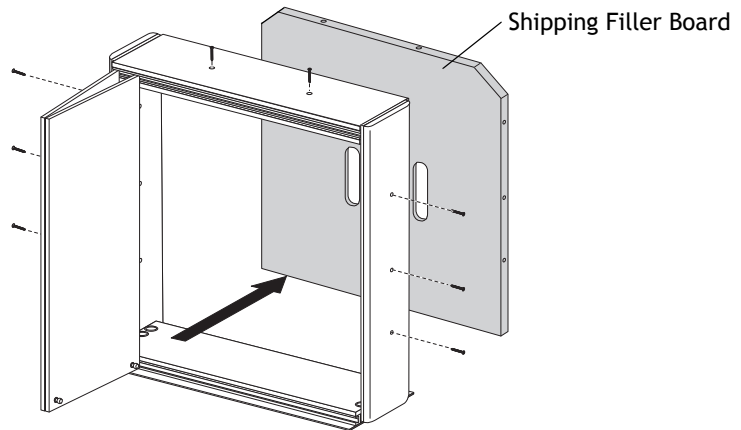
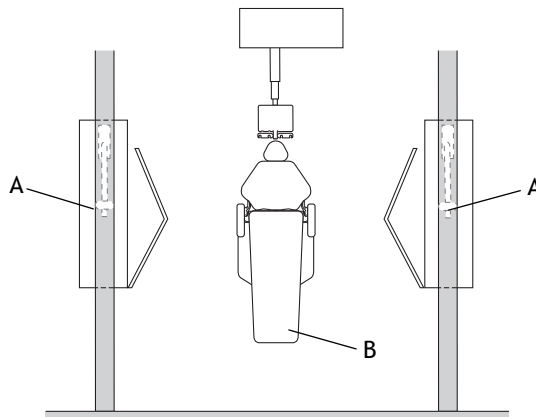
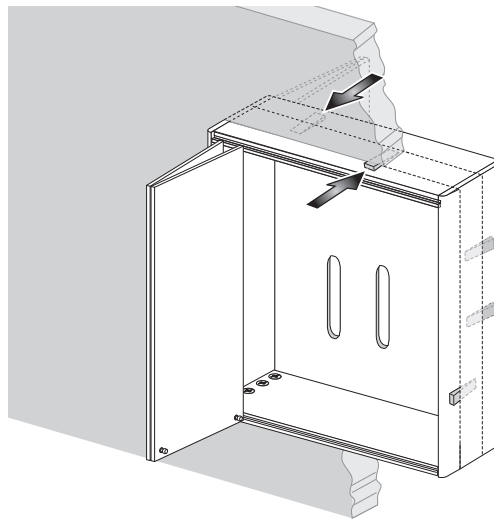


Figure 3. Place the Insert in the Framed Opening



(A) X-Ray Storage Inserts; (B) Foot of Dental Chair

Figure 4. Center the Insert in the Wall and Place Shims



- Place shims on the other sides of the insert to plumb and square the insert within the wall opening. Place the shims at the screw locations. See Figure 4.



NOTE The x-ray storage insert must be level, plumb, and square to ensure that the bifold doors can open and close.



CAUTION Installing without shims where gaps are present between the insert and sides of the wall opening may damage or cause bowing of the insert side. See Figure 5.

- Install eight screws (three per side and two in the top) through the shims and into the framing lumber. See Figure 6.
- Check that the insert is square.
- Remove and discard the shipping filler board.



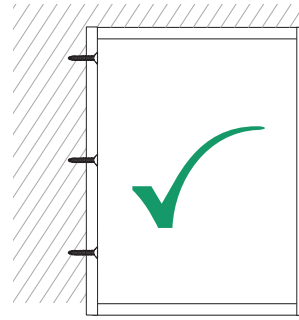
NOTE Remove the filler board before installing the covers for the screws and cam locks. It is very difficult to remove the caps once they are in place, and they will impede the removal of the filler board.

- Install screw caps over each of the eight screws. If necessary, use a hammer to tap the caps into place.
- Install eight 1" (25.4 mm) cover caps over the cam lock fasteners. See Figure 6.

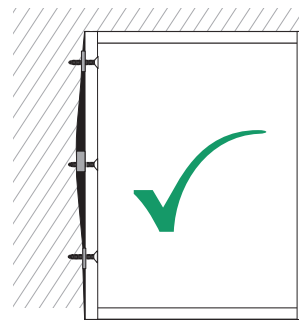


NOTE To complete this installation, contact your local contractor to install the trim molding.

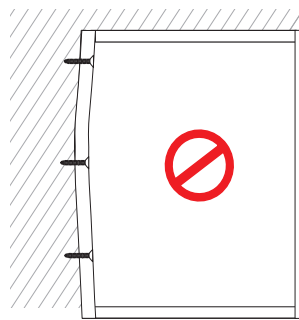
Figure 5. Shim Installation Guidelines



Shims are not necessary when installing flush against a straight and plumb frame.

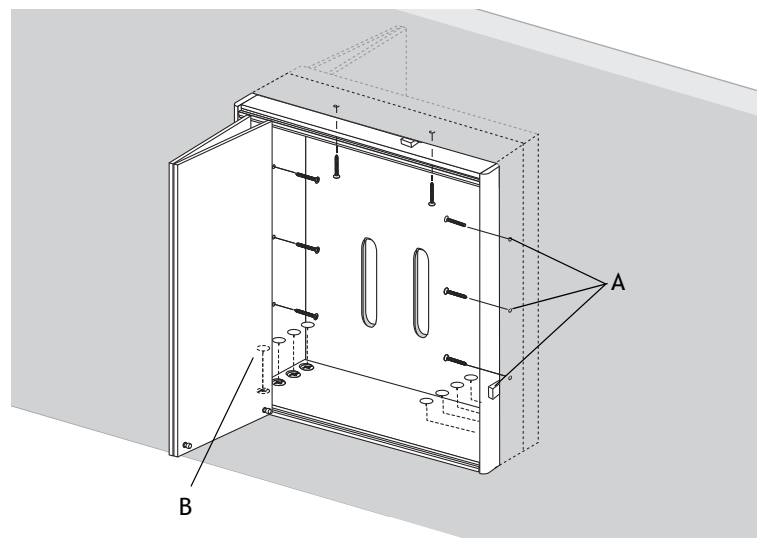


Shims are required if the frame is not plumb or not straight. Install screws through the shims.



If the frame is not straight, installing without shims may damage or cause bowing of the insert side.

Figure 6. Insert Screws



(A) Screws; (B) Cover Caps for Cam Locks

Install the Lead Door Cable (Optional)

Follow this procedure if your unit includes the lead door option. The lead door cable prevents both of the insert's doors from being open at the same time, so that when x-ray equipment is in use in one operatory, the other is protected.

1. Locate the plastic-coated cable assembly hanging inside the insert. See Figure 7.
2. Remove and retain the washers and screws taped to the cable eyelets.
3. Use the screws and washers to fasten the cable eyelets to both doors at the approximate location shown in Figure 7. Ensure that the washers are placed between the door and the cable eyelet.

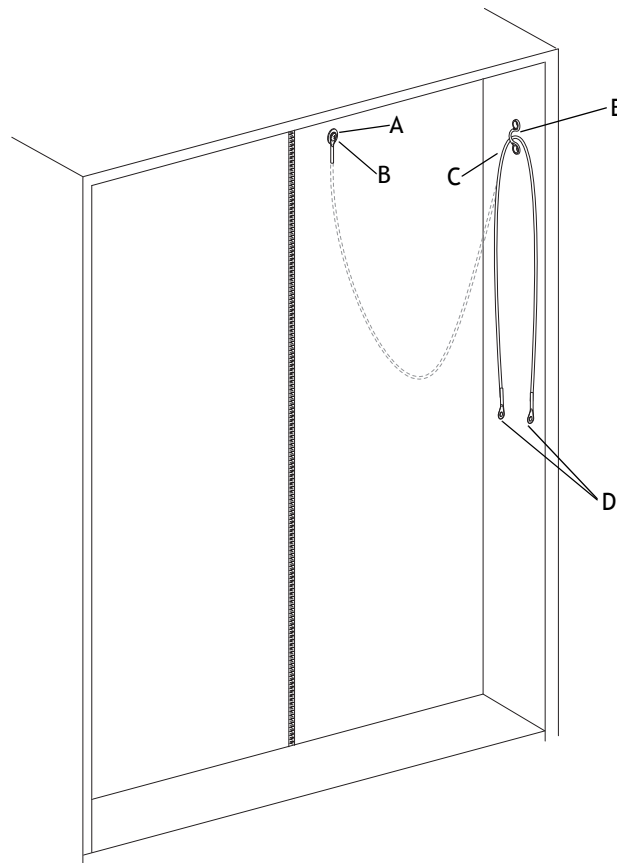
Adjustments

The bifold doors can be adjusted for height, depth, and side-to-side alignment as needed.

Test for Needed Adjustments

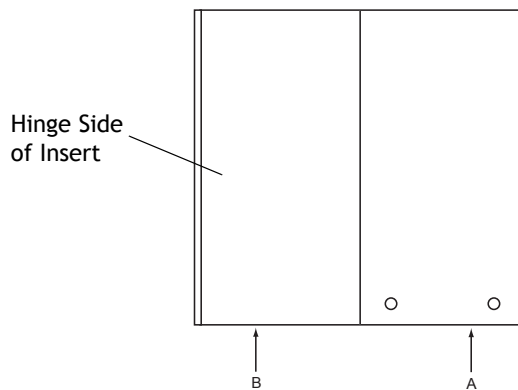
1. Ensure that the insert is level and square.
2. If a drag point occurs at point A (see Figure 8), refer to "Adjust Side-to-Side" on page 5. Adjust only the top two hinges to lift the door. Adjustment of the third and fourth hinges may be required.
3. If a drag point occurs at point B (see Figure 8), refer to "Adjust the Height" on page 5.
4. If the gaps on the left and right side are unequal, refer to "Adjust Side-to-Side" on page 5.

Figure 7. Install the Lead Door Cable



(A) Washer; (B) Screw; (C) Cable; (D) Cable Eyelets; (E) Eye Strap

Figure 8. Drag Points



Adjust the Depth

Turn screws "A" on the top two hinges until the door is in the desired position. See Figure 9. Adjust the bottom hinge if necessary.

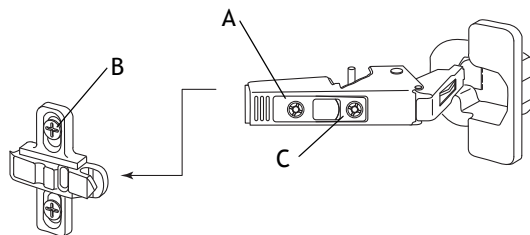
Adjust the Height

Loosen screws "B" on all hinge mounting plates one-quarter turn. See Figure 9. Move the door up or down to the desired position, then tighten the screws.

Adjust Side-to-Side

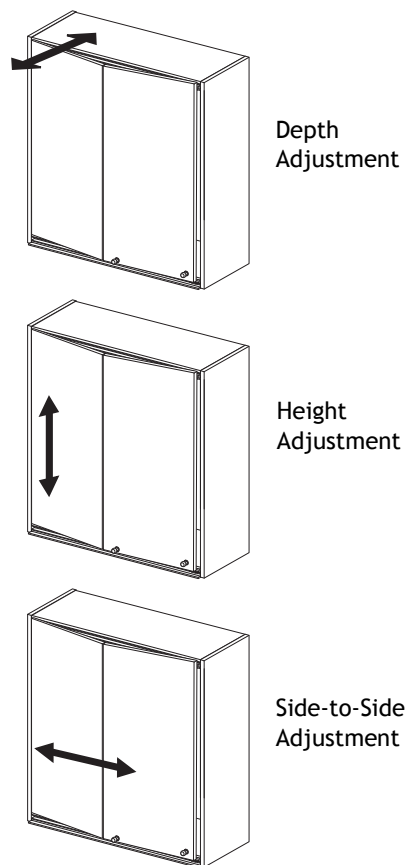
Turn screw "C" on all door hinges until the door is in the desired position. See Figure 9.

Figure 9. Adjust the Doors



(A) Depth Adjustment Screw; (B) Height Adjustment Screw; and (C) Side-to-Side Adjustment Screw

Figure 10. Door Adjustments



Regulatory Information

Regulatory information is provided with A-dec equipment as mandated by agency requirements. This information is delivered in the equipment's *Instructions for Use* or the separate *Regulatory Information and Specifications* document. If you need this information, please go to the Document Library at www.a-dec.com.

A-dec Headquarters

2601 Crestview Drive
Newberg, OR 97132 USA
Tel: 1.800.547.1883 Within USA/Canada
Tel: 1.503.538.7478 Outside USA/Canada
Fax: 1.503.538.0276
www.a-dec.com / www.a-dec.biz

A-dec Inc. makes no warranty of any kind with regard to the content in this document including, but not limited to, the implied warranties of merchantability and fitness for a particular purpose.



86.0138.00 Rev H
Copyright 2013 A-dec Inc.
All rights reserved.
IGgrphpor4