

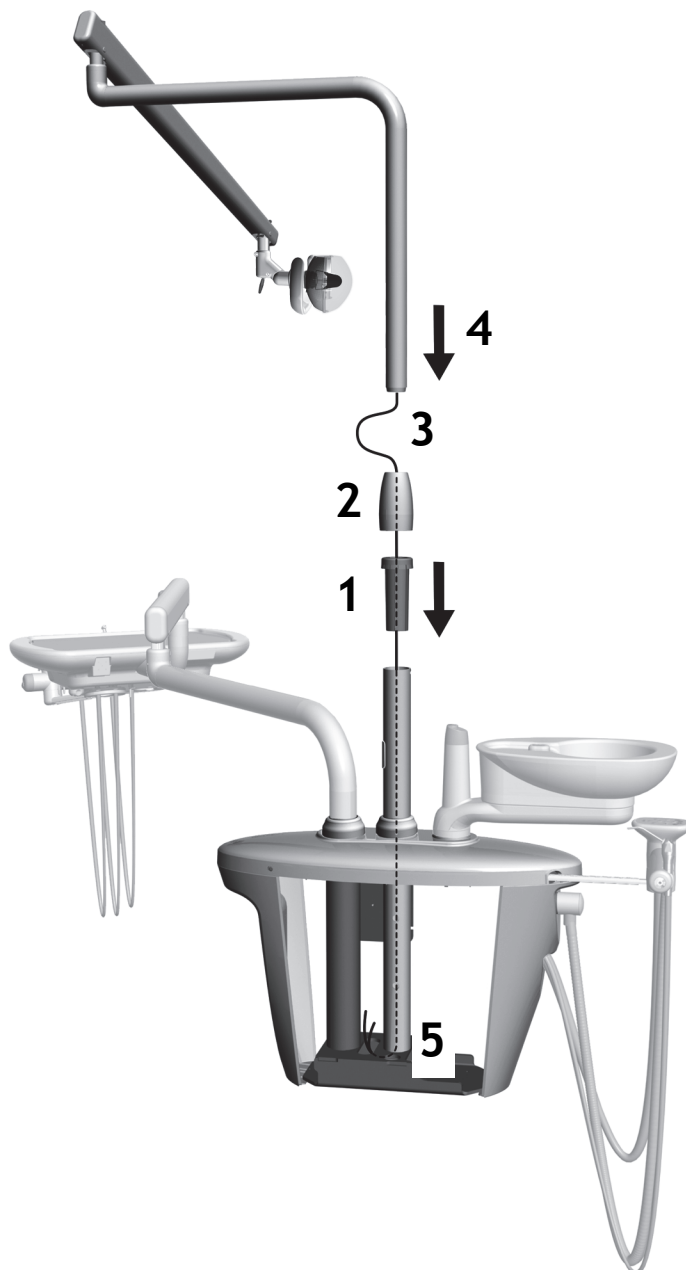


A-dec 371-200 Dental Light on an A-dec 200 Dental Chair

INSTALLATION GUIDE



Install the Dental Light



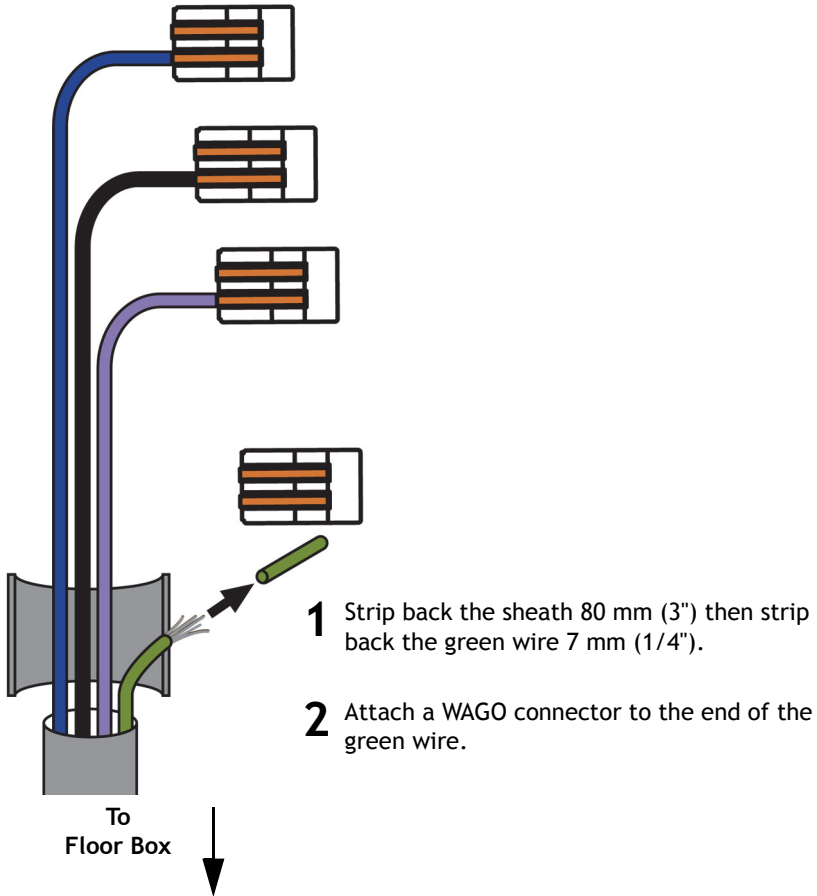
1. Insert and fully seat the bearing in the support center post.
2. Place the trim cover on top of the bearing.
3. Route wiring down into the support center post.
4. Insert the dental light post.
5. Route the wiring out of the post into the support center.

Connect the Dental Light

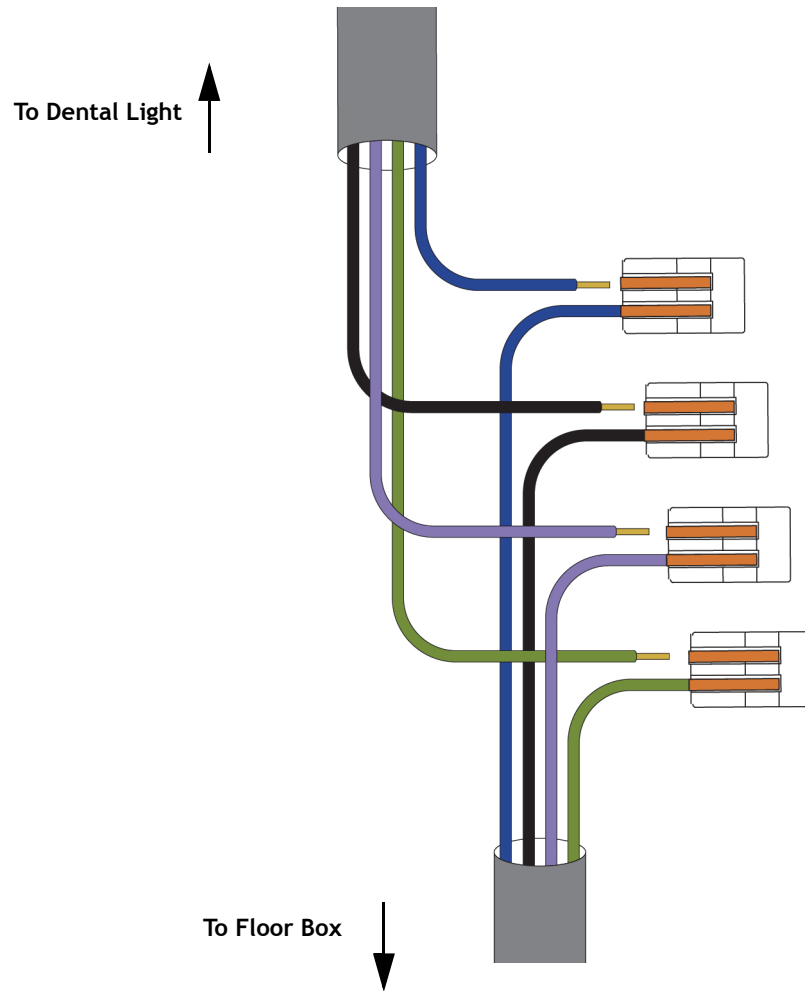
Task 1. Prepare the dental light cable in the support center.



NOTE If the dental light cable has a green wire with a WAGO connector already attached, go to Task 2 on the next page.



Task 2. Connect the wires from the light to the WAGO connectors with the same color wires.



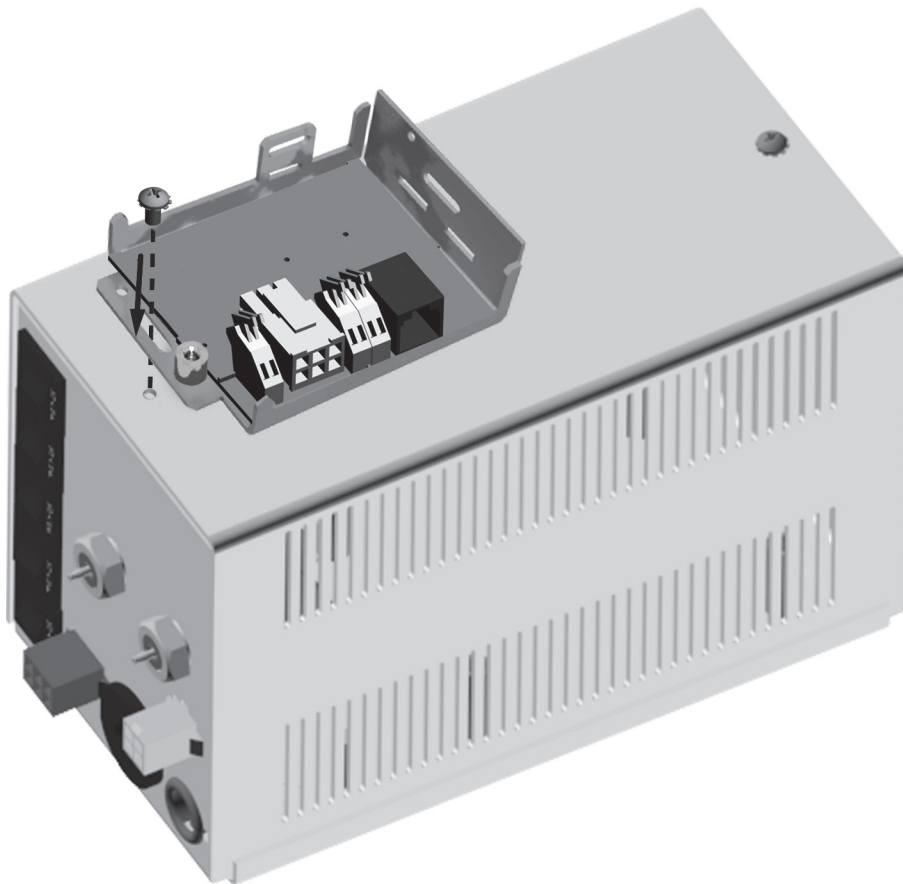
Connect the Floor Box Utilities

Install the Dental Light Relay Circuit Board

Recommended Tool

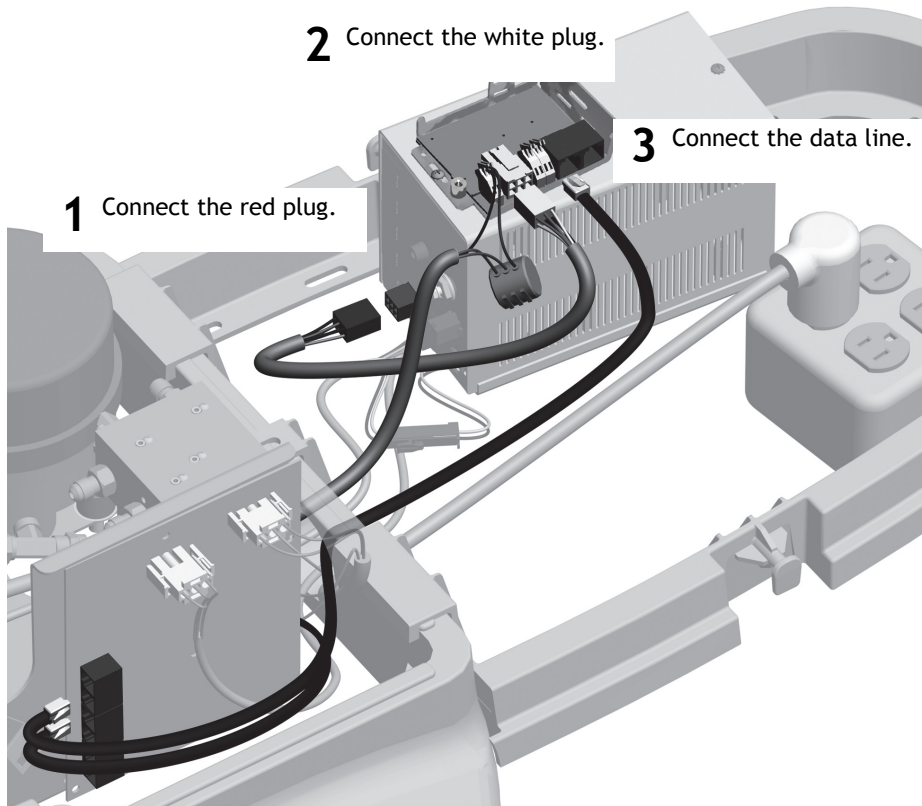
Phillips head screwdriver

Secure the dental light relay circuit board with the screw from the top of the power supply.



Connect the Dental Light Jumper Cable and Data Line

Get the dental light jumper cable and data line from the kit and make the following connections.



Connect the Dental Light Cable

Follow the procedure according to the type of dental light cable used.



CAUTION The circuit board is static sensitive. ESD precautions are required. The circuit board should be installed by an electrician or qualified service personnel.

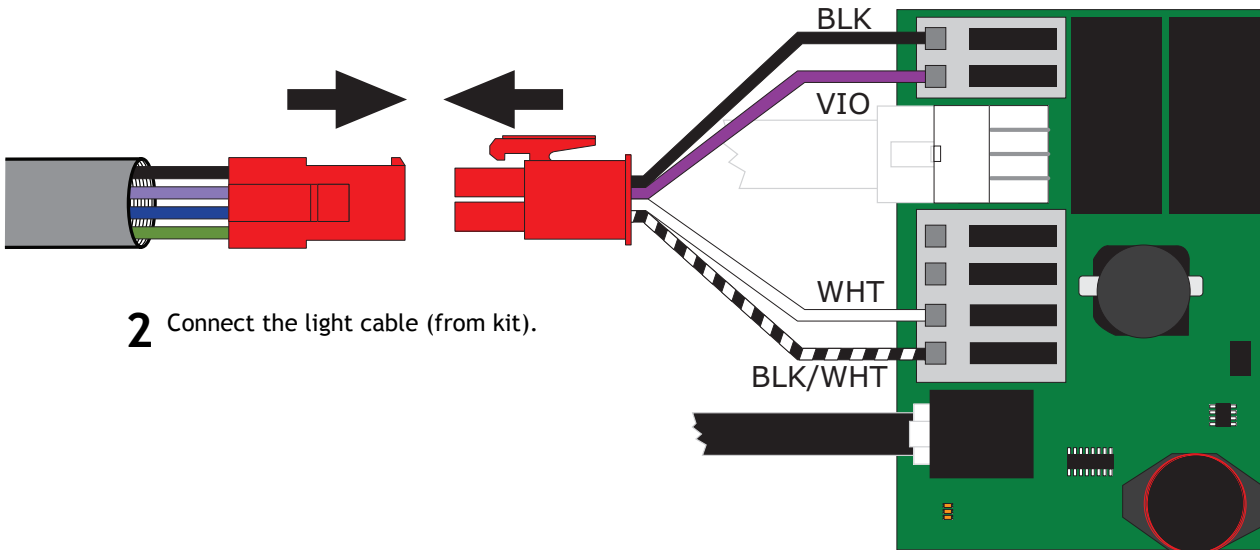
Light Cables with a Green Wire Attached

If the end of the light cable includes a green wire connected to the red connector, complete the following procedure:



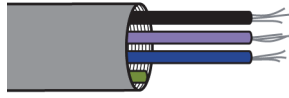
Connector with Green Wire Attached

1 Connect the wires to their positions on the relay board.

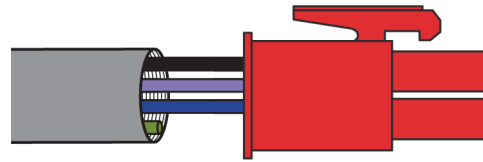


Light Cables without a Green Wire Attached

If the end of the light cable does not have a connector or does not have a green wire connected to the red connector, complete the following procedures:



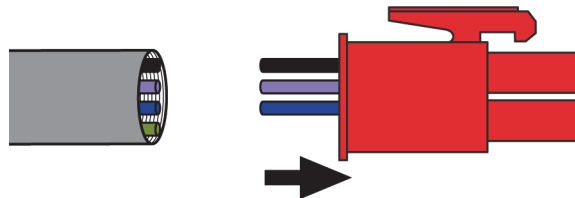
Cable with No Connector



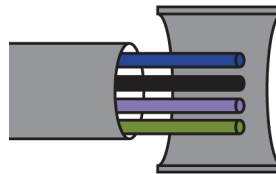
Cable without a Green Wire Attached to the Connector

Task 1.

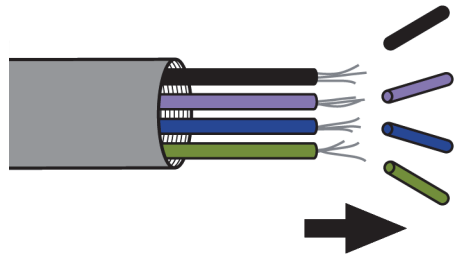
1 Snip off the wires at the end of the sheath.



2 Strip back the sheath 80 mm (3").

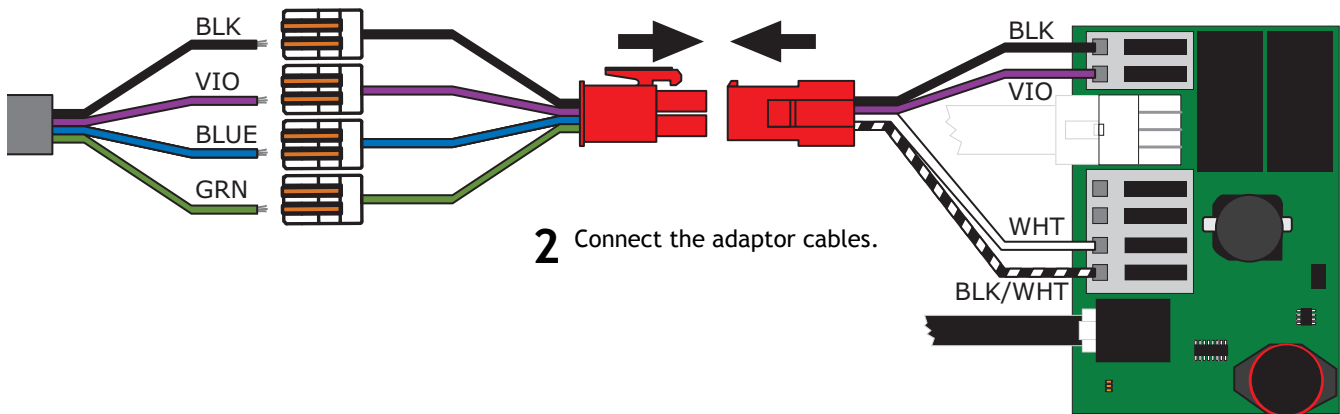


3 Strip back the wires 7 mm (1/4").



Task 2.

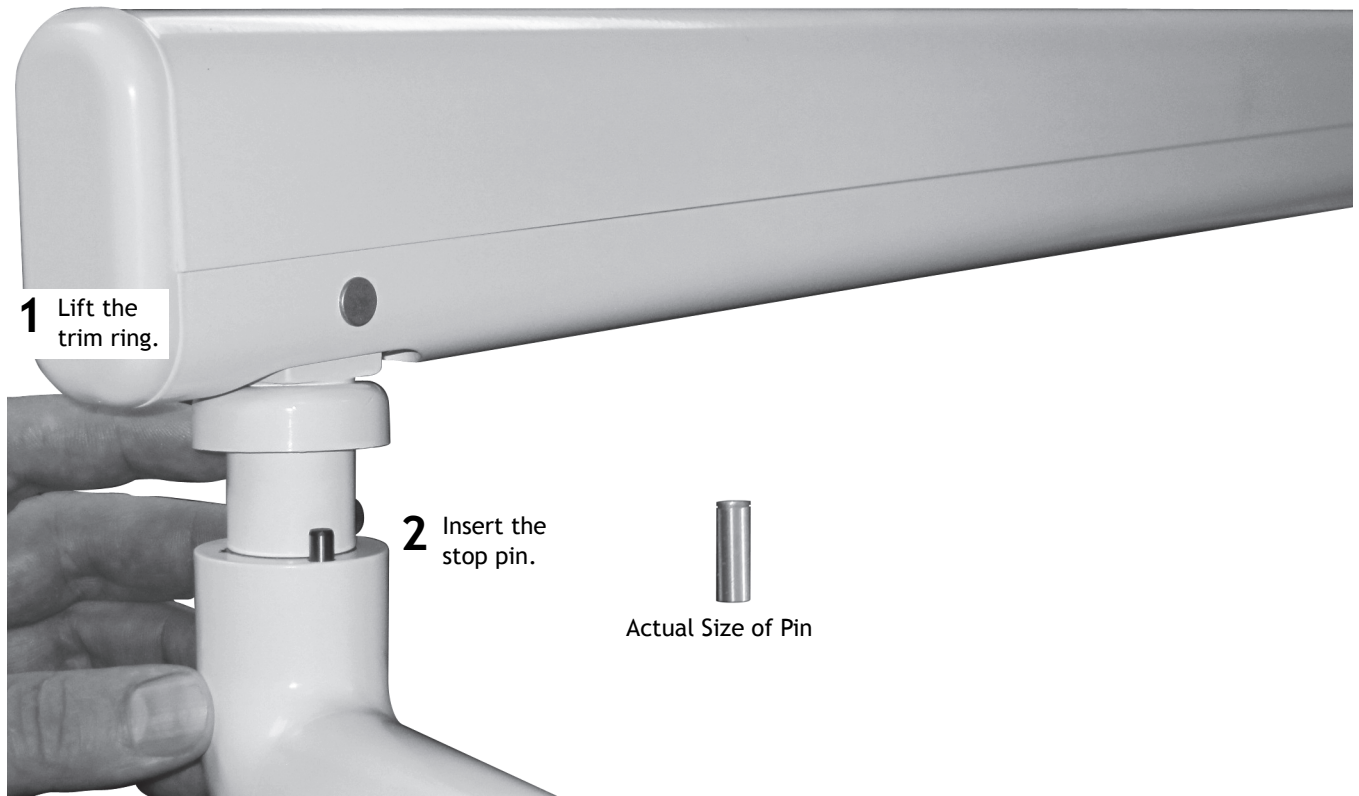
- 1 Attach the dental light wires to the adaptor cable with WAGO connectors. Match the wire to the WAGO connector with the same color wire.



- 2 Connect the adaptor cables.

- 3 Connect the wires from the second adaptor cable to their positions on the relay board.

Install the Dental Light Flexarm Rotation Stop Pins



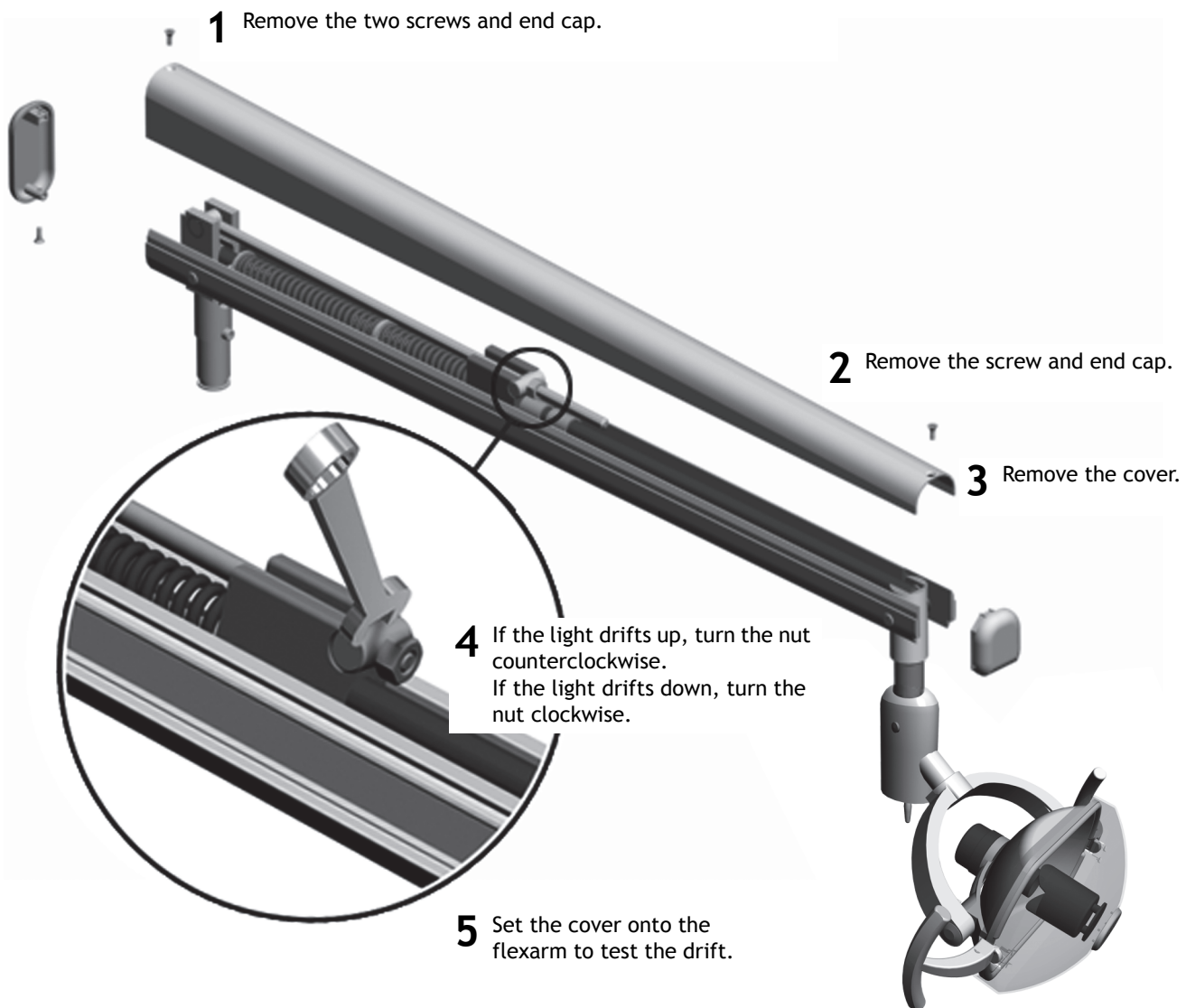
Adjust the Dental Light Flexarm Counterbalance (if needed)

Recommended Tools

- Phillips head screwdriver
- 1/2" combination wrench



NOTE An optional travel stop limit kit (p/n 90.1044.00) can be installed to limit the upward and downward motion of the flexarm.

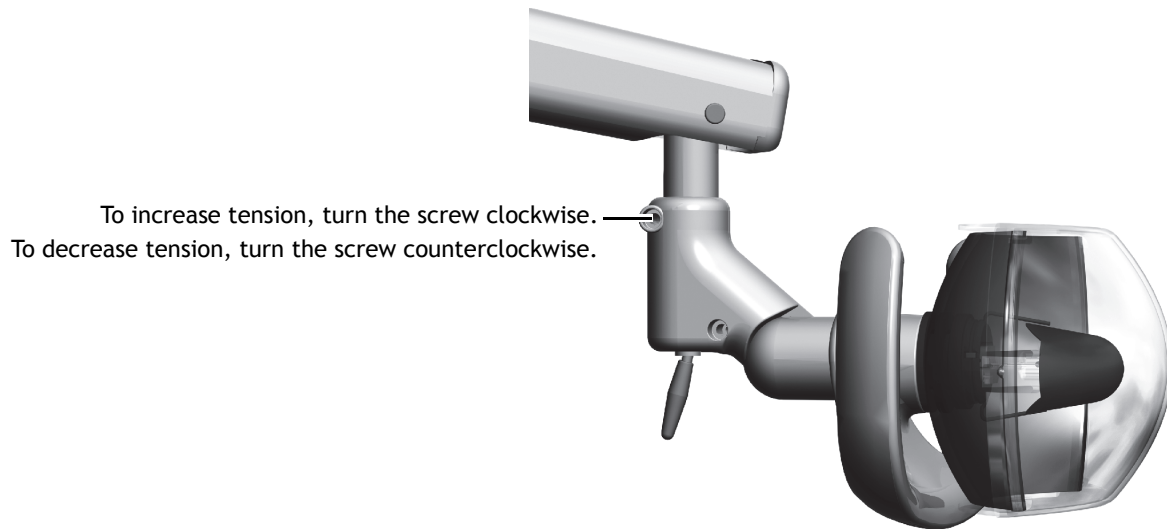


Adjust the Dental Light Rotation Tension (if needed)

Adjust the Dental Light Horizontal Rotation

Recommended Tool

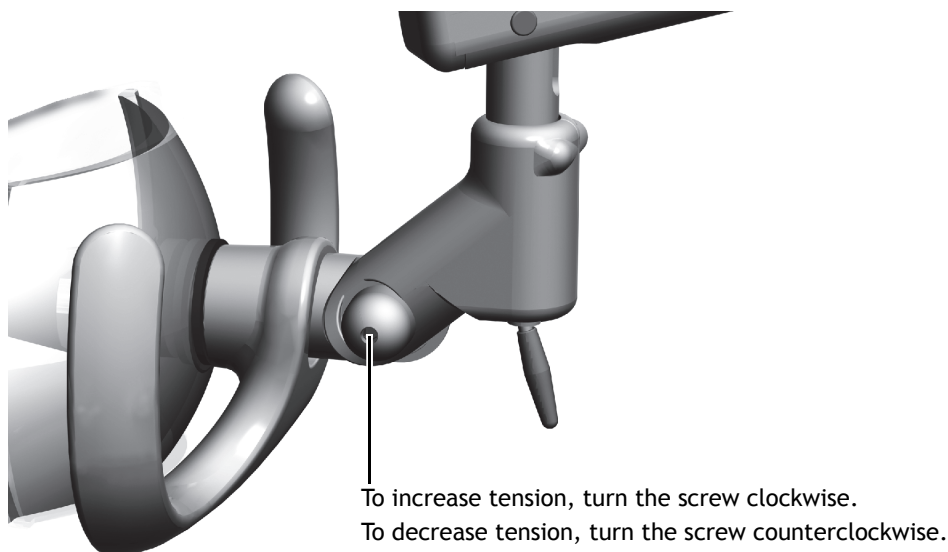
5/32" hex key



Adjust the Dental Light Vertical Rotation

Recommended Tool

3/16" hex key



Adjust the Dental Light Focus (if needed)

The A-dec 371-200 does not have a focus adjustment.

Touchpad Settings

For dental light touchpad settings, see the “Touchpad Settings” section of the *A-dec 200 Installation Guide* (p/n 86.0004.00).

Regulatory Information

Regulatory information is provided with A-dec equipment as mandated by agency requirements. This information is delivered in the equipment’s *Instructions for Use* or the separate *Regulatory Information and Specifications* document. If you need this information, please go to the Document Library at www.a-dec.com.

A-dec Headquarters

2601 Crestview Drive
Newberg, OR 97132 USA
Tel: 1.800.547.1883 Within USA/Canada
Tel: 1.503.538.7478 Outside USA/Canada
Fax: 1.503.538.0276
www.a-dec.com / www.a-dec.biz

A-dec Inc. makes no warranty of any kind with regard to the content in this document including, but not limited to, the implied warranties of merchantability and fitness for a particular purpose.



86.0314.00 Rev D
Copyright 2012 A-dec Inc.
All rights reserved.
IGrph4