

A-dec 300 Base Mount Screw

INSTALLATION GUIDE



Contents

Remove the Seat Upholstery	2
Remove the Covers	2
Replace the Screws	3
Base Mount Systems	4
Radius-Style Systems	12
Base Mount Light Post Systems	17
Replace a Broken Screw	24
Level the System	26
Test the System	27
Replace the Covers	27
Reinstall the Upholstery	27



www.a-dec.com/300Guide

中国 [简体]

Česky

Français

Deutsch

Italiano

日本

한국어

Polski

Русский

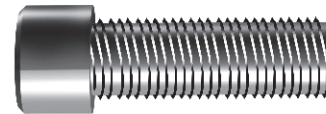
Español

Türkçe

Introduction

Follow the instructions in this document to replace the silver-colored screws with the black screws in this kit. This will ensure the stability of the system. The kit also includes a longer black screw that you will use to stabilize the support center while you replace the screws on that side of the chair.

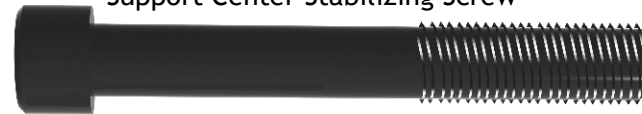
Existing Silver-Colored Screw



Black Replacement Screw



Support Center Stabilizing Screw



WARNING Be sure to securely tighten all of the new screws when you install them.

Remove the Seat Upholstery

Task 1. Raise the chair all the way up.

Task 2. Turn off the power.



NOTE You must remove the floor box cover on the A-dec 311 chair to turn off the power.

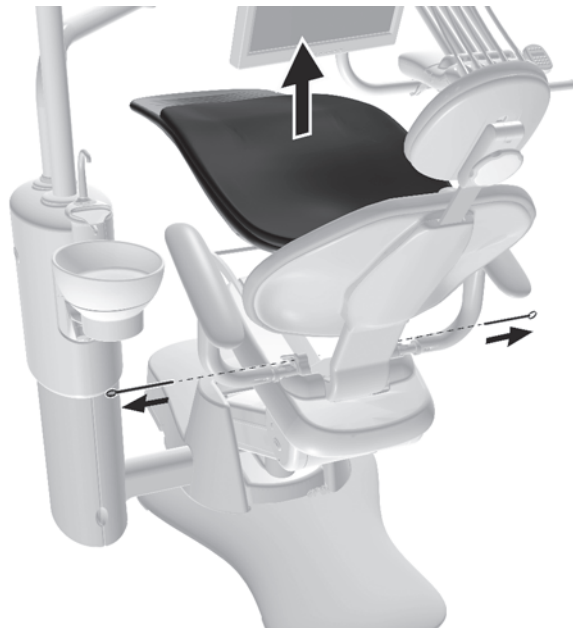


DANGER Failure to turn off the power before you begin this procedure can lead to electrical shock.



WARNING Failure to turn off the power before you begin this procedure can lead to product damage and result in serious injury or death.

Task 3.



1 Pull the pins on each side.

2 Remove the upholstery.

Remove the Covers

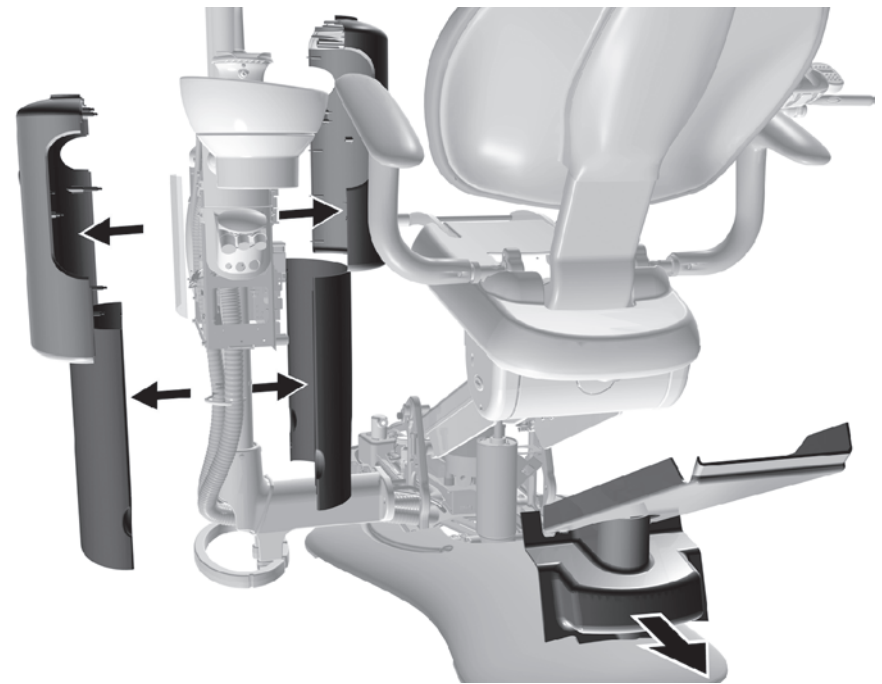
Task 1.



CAUTION When removing or replacing covers, take care not to damage any wiring. Verify that the covers are secure after replacing them.

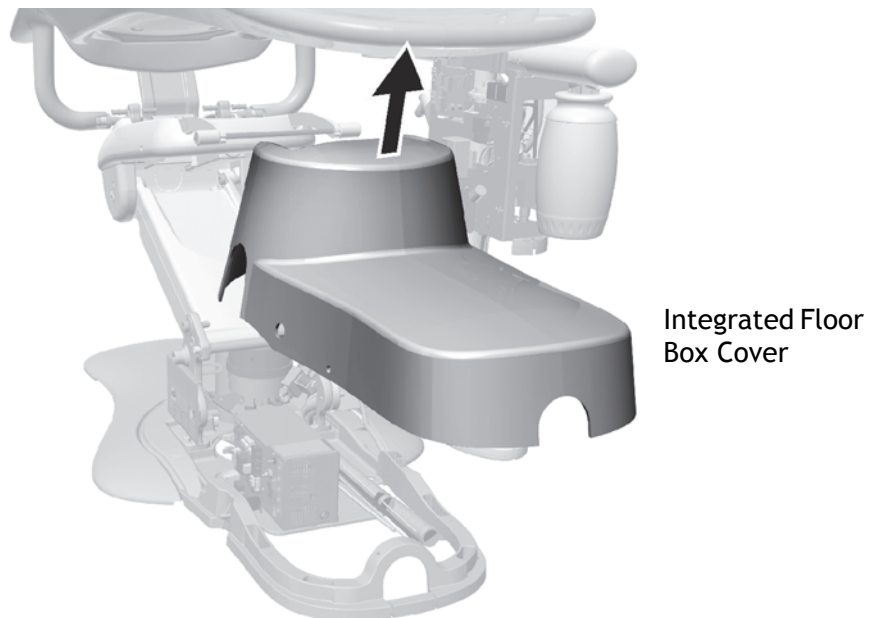
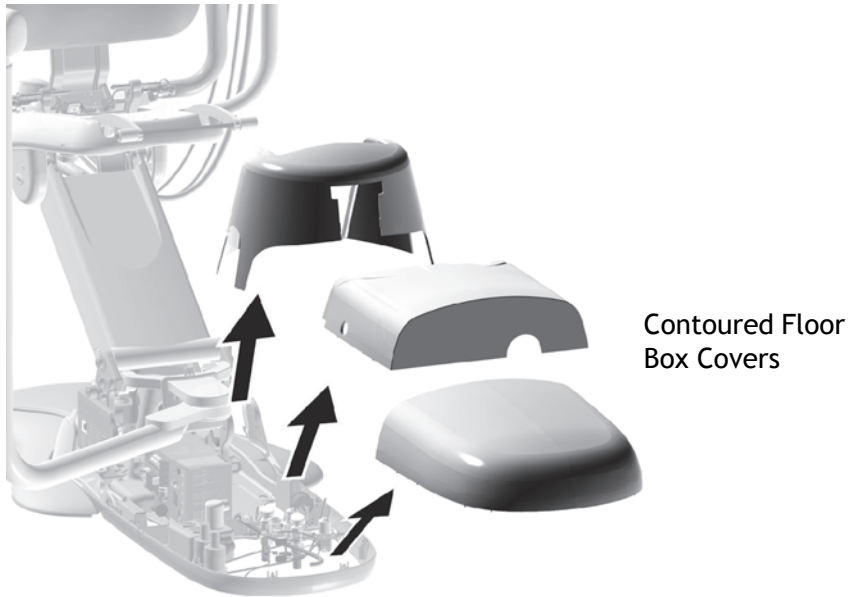
1 For Base Mount Systems remove the support center covers.

2 Remove the lift arm cover.



Task 2.

- 1 Remove the floor box covers.



Replace the Screws

Complete the procedure for the system's configuration:

- "Base Mount Systems" on page 4
- "Radius-Style Systems" on page 12
- "Base Mount Light Post Systems" on page 17

Base Mount Systems

Recommended Tool

5/16" hex key

Task 3.

- 1 Position the arms to distribute the weight of the modules over the support center.
- 2 Use a strap to secure the control head so it does not drift.



Task 4.

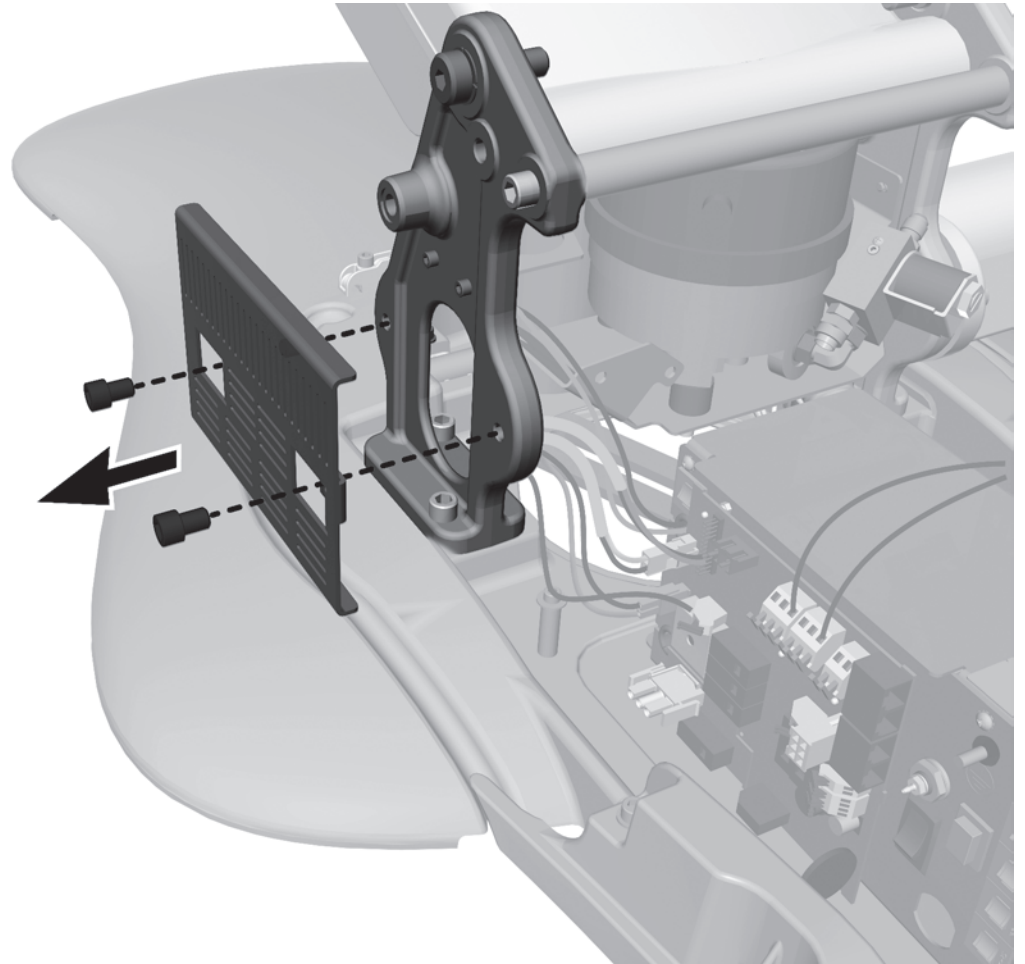
- 1 Remove the ancillaries bracket.



NOTE You may need to remove an ancillary to access the bracket's mounting screws.

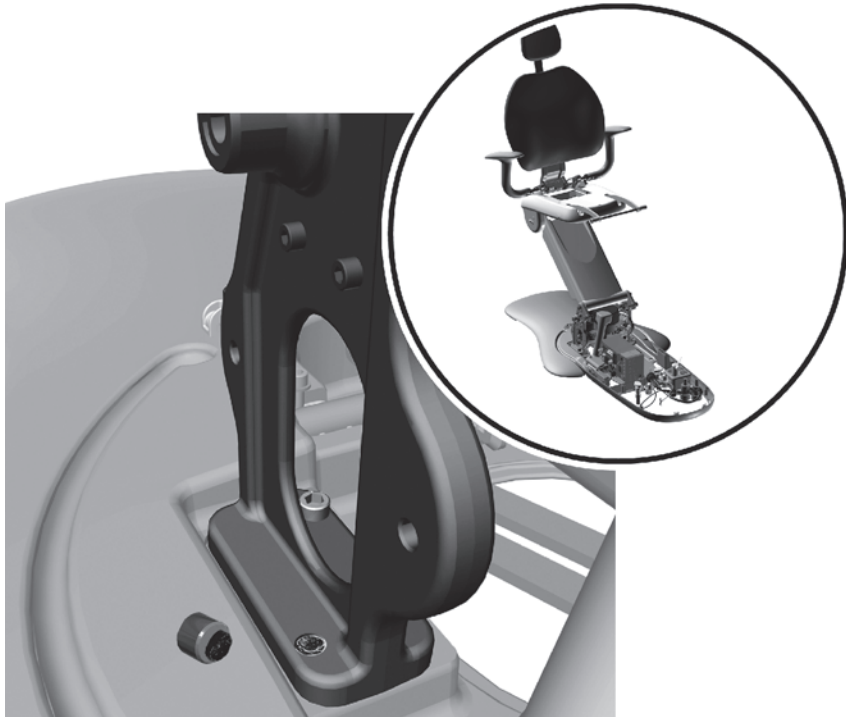


CAUTION Circuit boards are sensitive to static electricity. Electrostatic Discharge (ESD) precautions are required when touching a circuit board or making connections to or from the circuit board. Circuit boards should be installed only by an electrician or qualified service person.



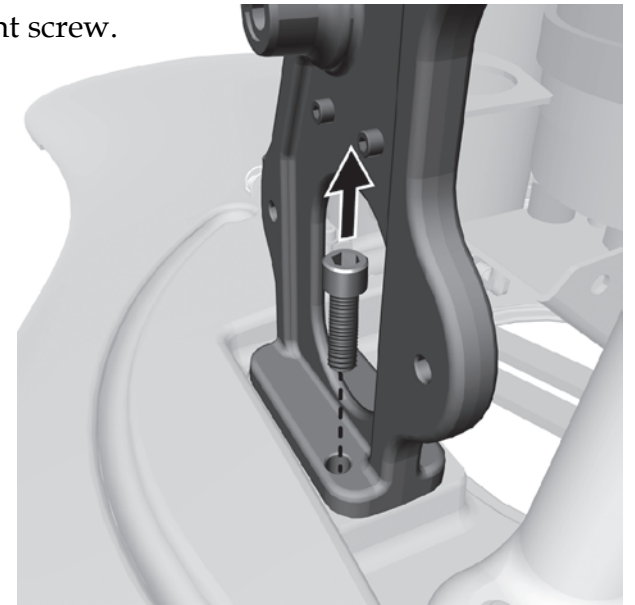
Task 5.

- 1 Check to see if any screw heads have broken off. If a screw has broken, replace that screw first. See "Replace a Broken Screw" on page 24.

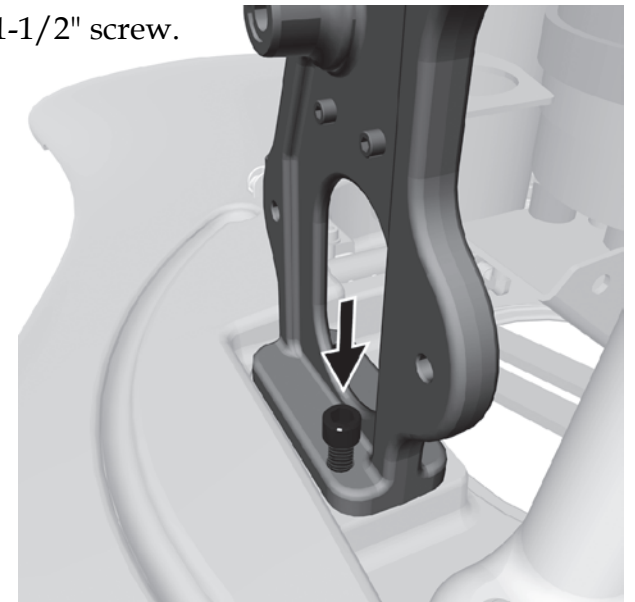


Task 6.

- 1 Remove the front screw.

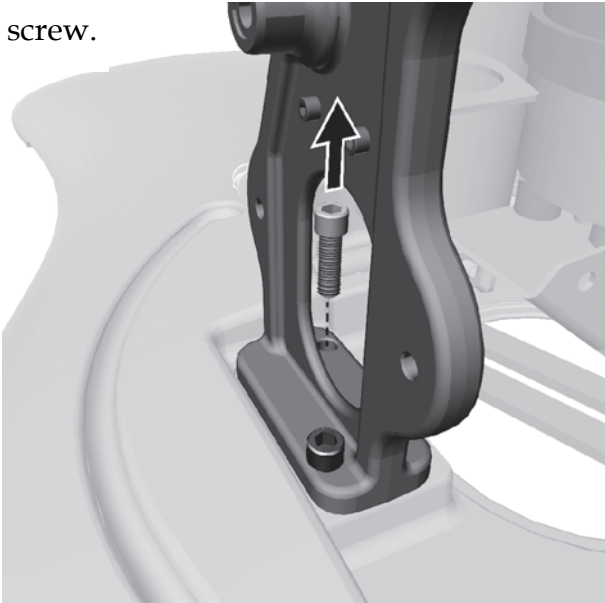


- 2 Install the new 1-1/2" screw.

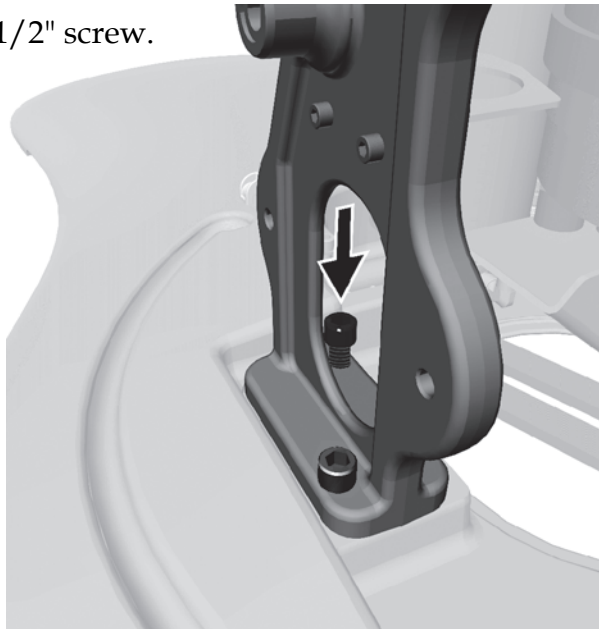


Task 7.

- 1 Remove the back screw.

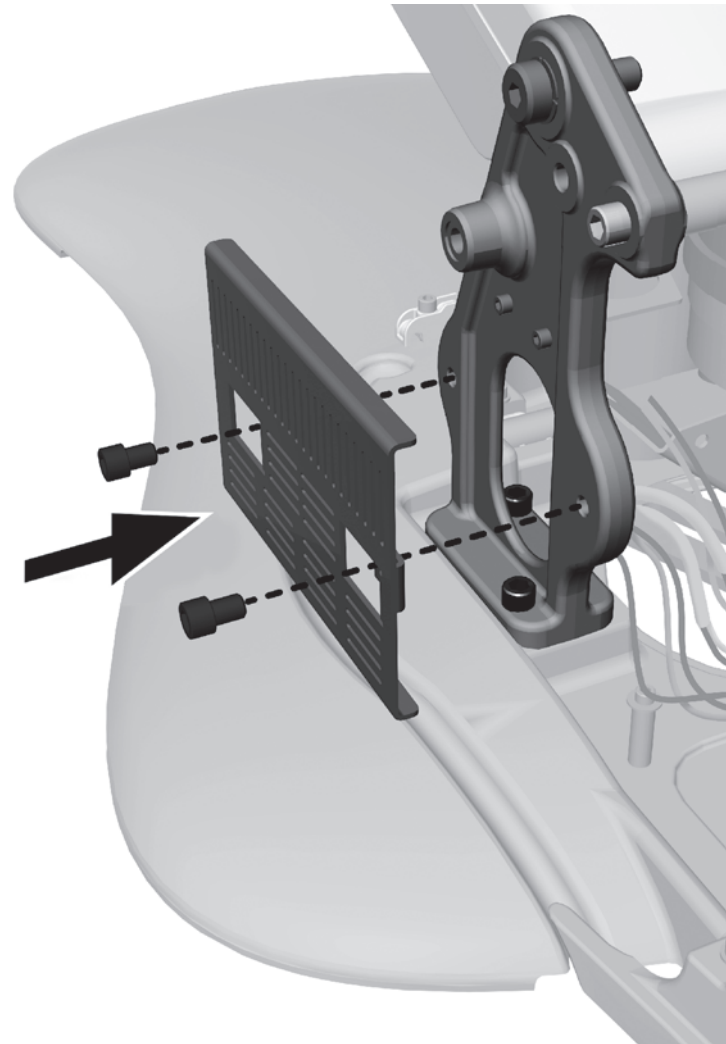


- 2 Install the new 1-1/2" screw.

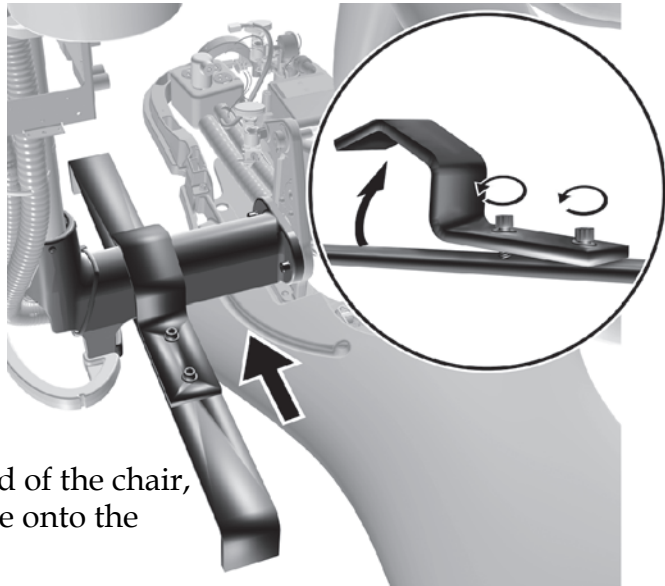


Task 8.

- 1 Replace the ancillaries bracket.
- 2 Reinstall any ancillaries that were removed.



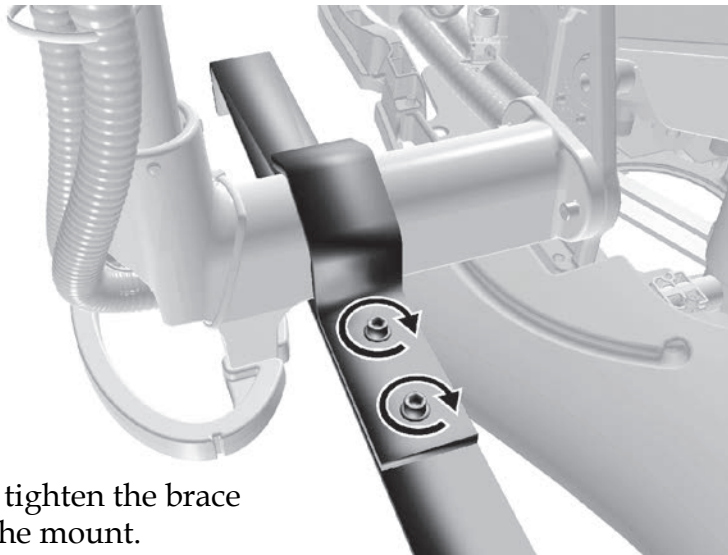
Task 9.



- 1 From the head of the chair, slide the brace onto the base mount.



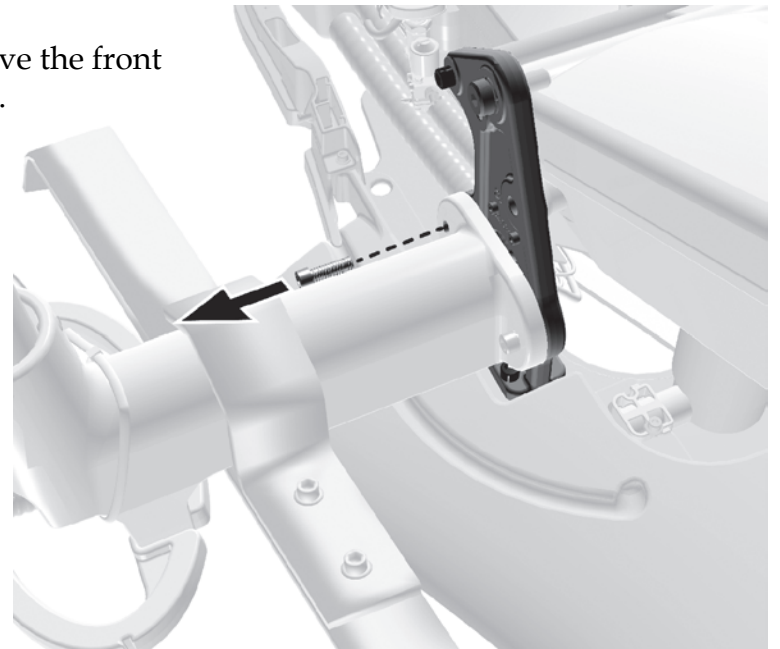
CAUTION Be careful not to scratch the base mount when installing the brace.



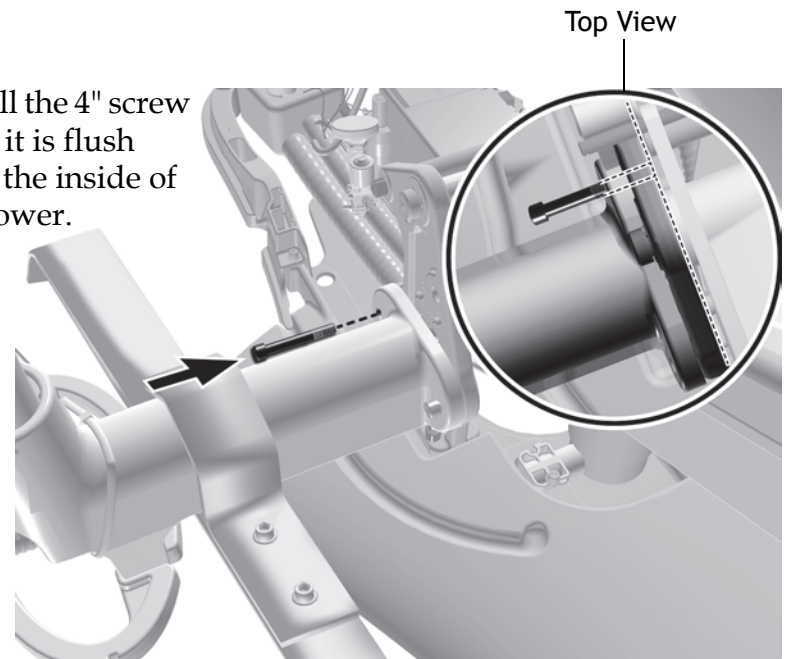
- 2 Securely tighten the brace around the mount.

Task 10.

- 1 Remove the front screw.

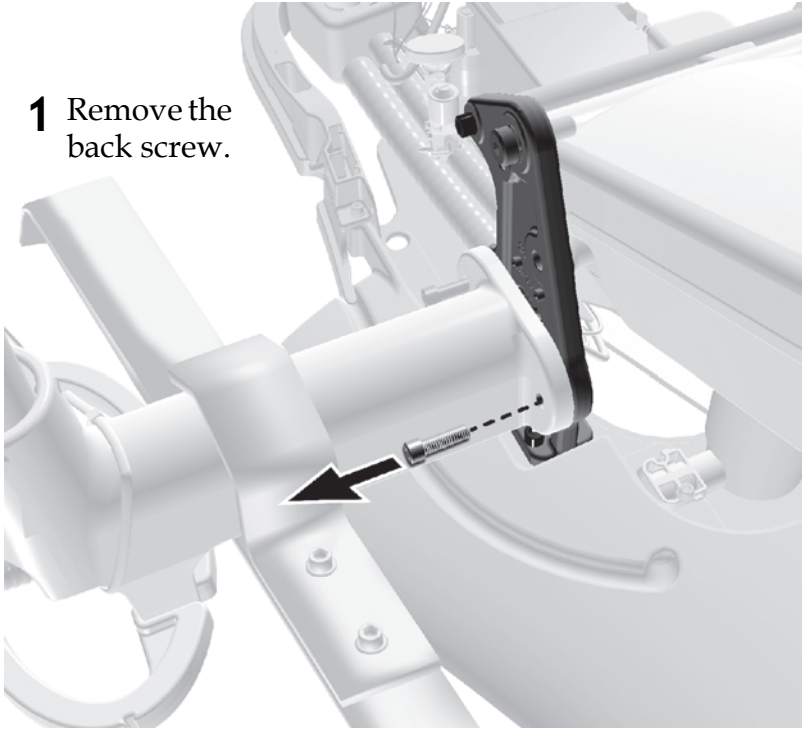


- 2 Install the 4" screw until it is flush with the inside of the tower.



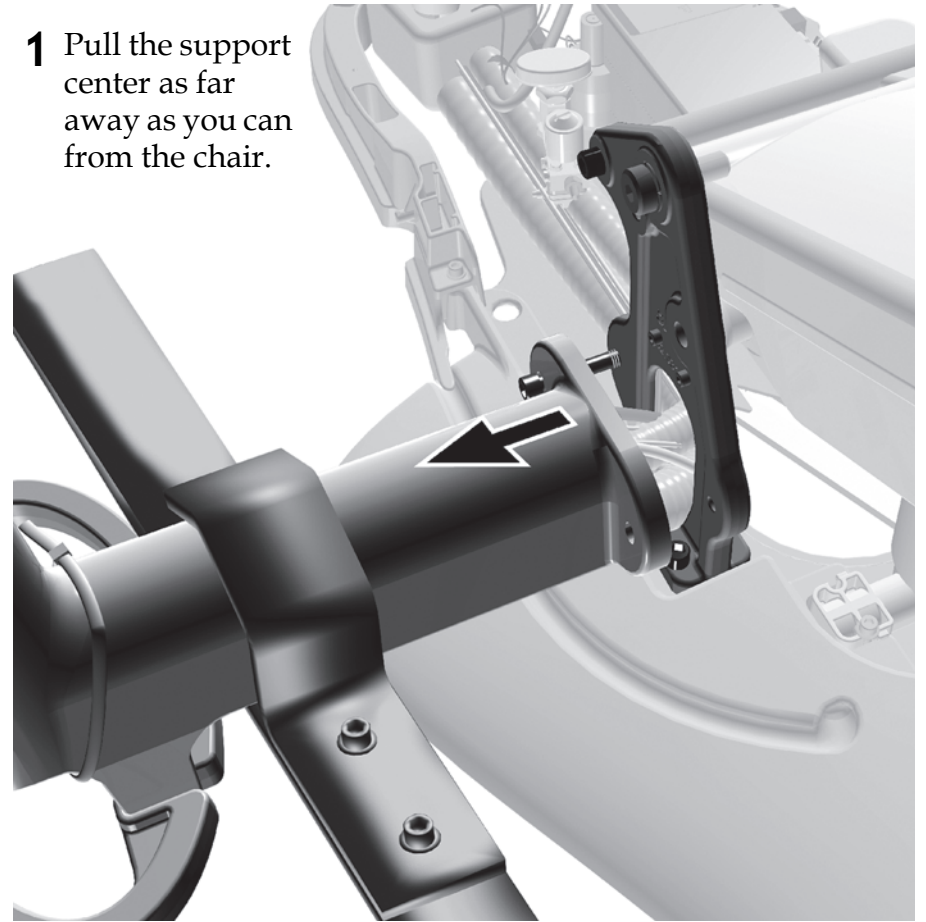
Task 11.

- 1 Remove the back screw.



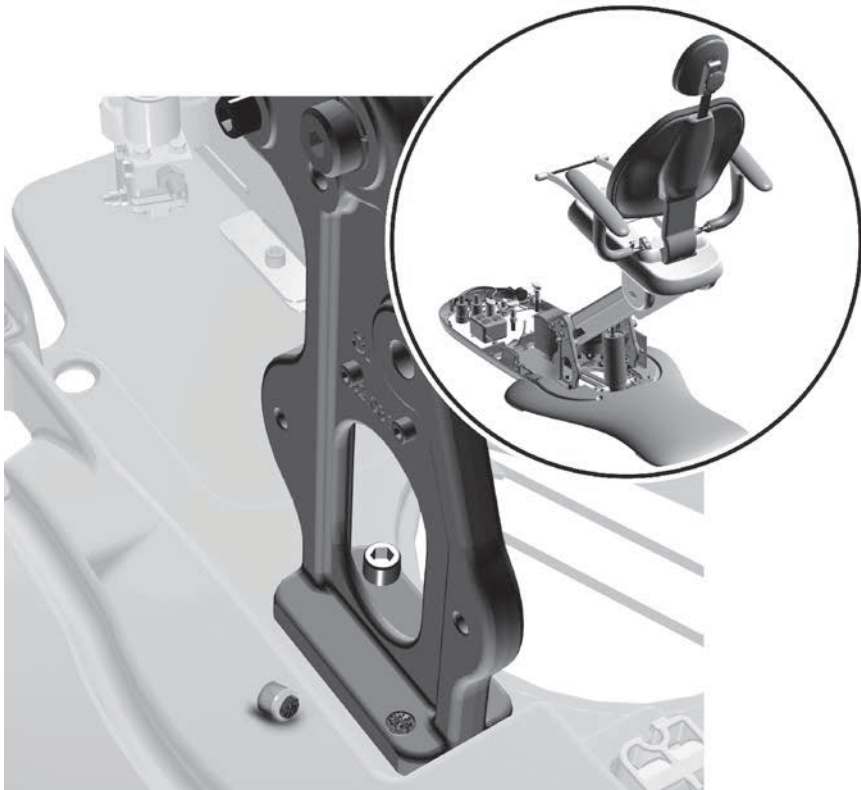
Task 12.

- 1 Pull the support center as far away as you can from the chair.



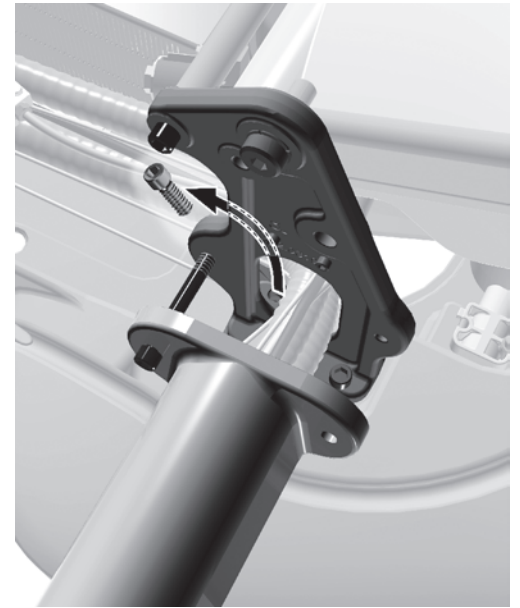
Task 13.

- 1 Check to see if any screw heads have broken off. If a screw has broken, replace that screw first. See "Replace a Broken Screw" on page 24.

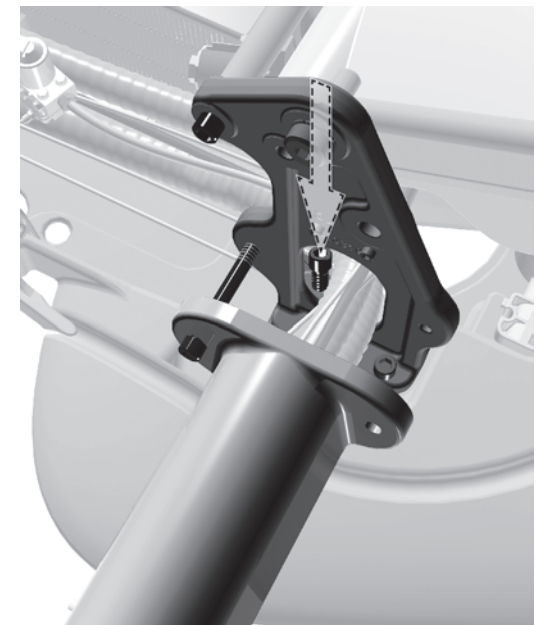


Task 14.

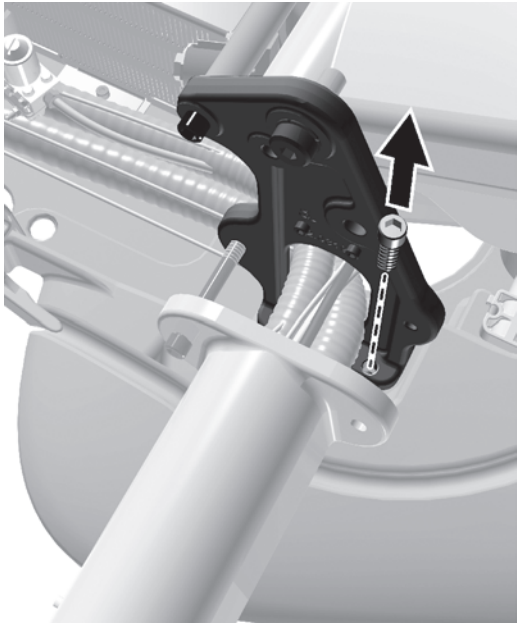
- 1 Remove the front screw.



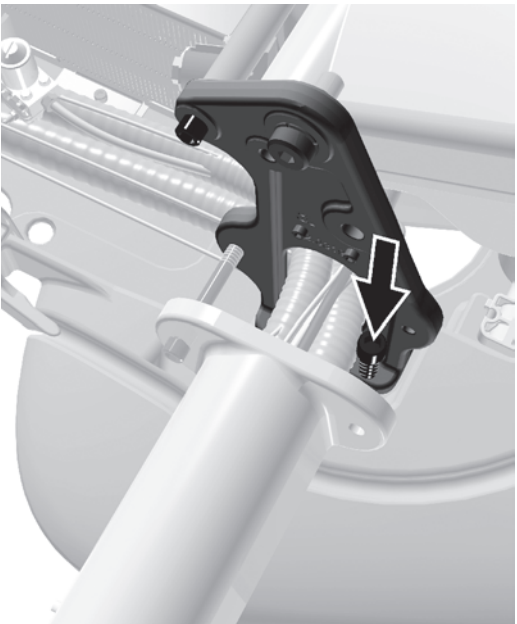
- 2 Install the new 1-1/2" screw.



Task 15.



- 1 Remove the back screw.



- 2 Install the new 1-1/2" screw.

Task 16.



- 1 Push the support center back to the chair tower.
- 2 Install the new 1-1/2" back screw.



CAUTION Be careful not to pinch the umbilical.

- 3 Remove the 4" screw.
- 4 Install the new 1-1/2" front screw.



- 5 Continue with "Level the System" on page 26.

Radius-Style Systems

Recommended Tool

5/16" hex key

Task 1.

1 Position the delivery system straight out from the toe of the chair.

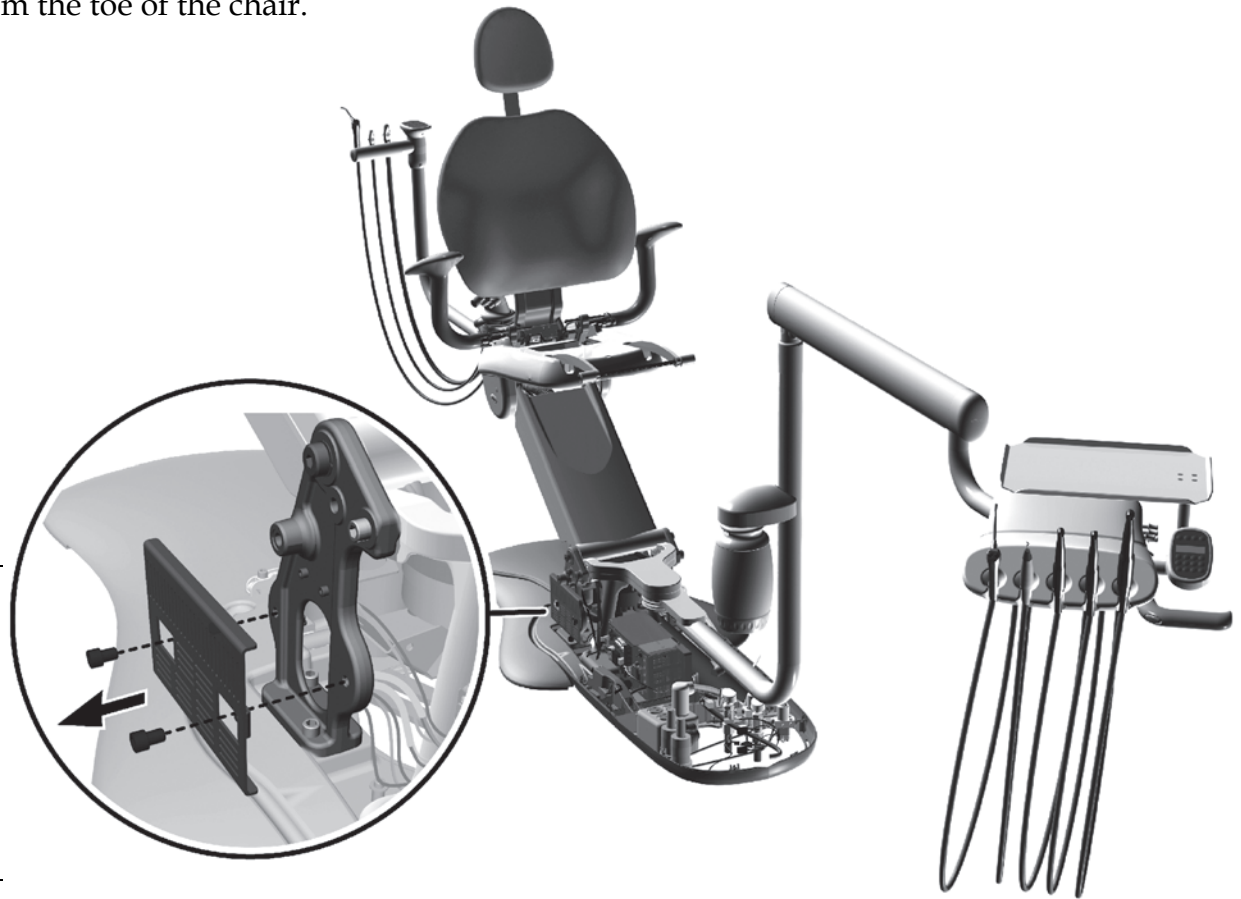
2 Remove the ancillaries bracket.



NOTE You may need to remove an ancillary to access the bracket's mounting screws.



CAUTION Circuit boards are sensitive to static electricity. Electrostatic Discharge (ESD) precautions are required when touching a circuit board or making connections to or from the circuit board. Circuit boards should be installed only by an electrician or qualified service person.



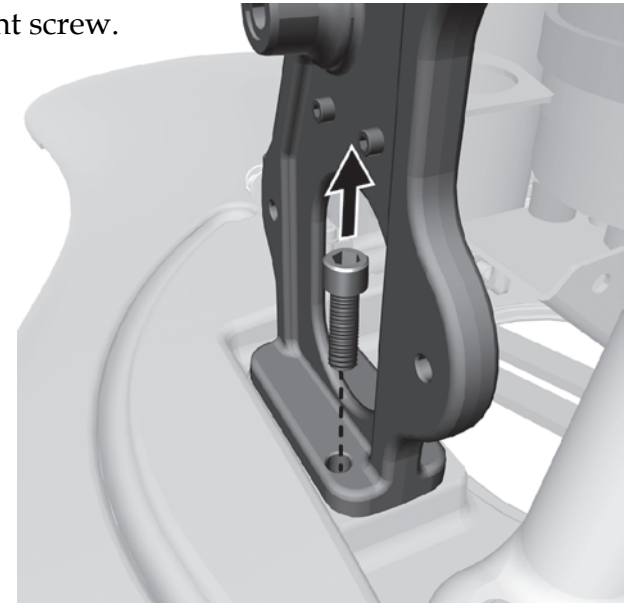
Task 2.

- 1 Check to see if any screw heads have broken off. If a screw has broken, replace that screw first. See "Replace a Broken Screw" on page 24.

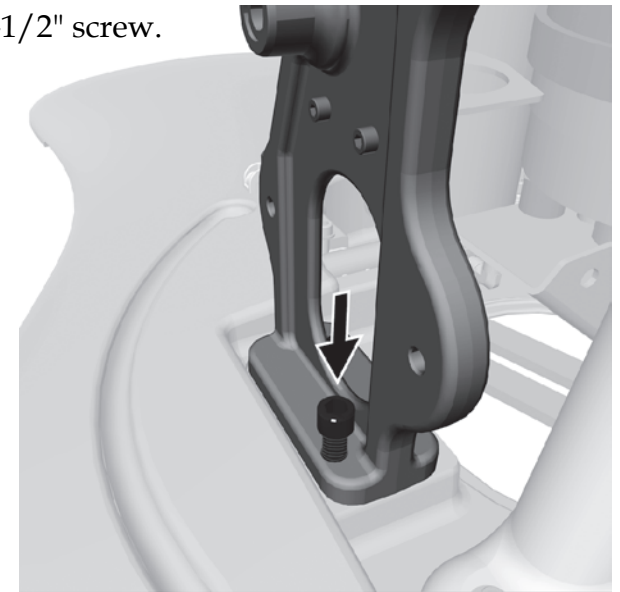


Task 3.

- 1 Remove the front screw.

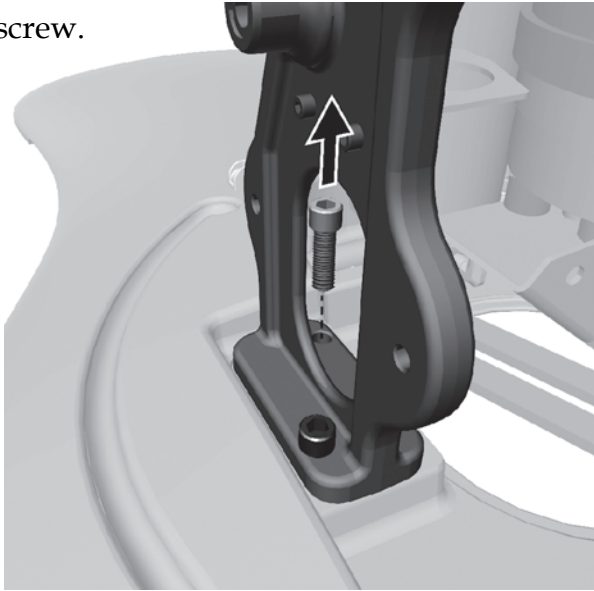


- 2 Install the new 1-1/2" screw.

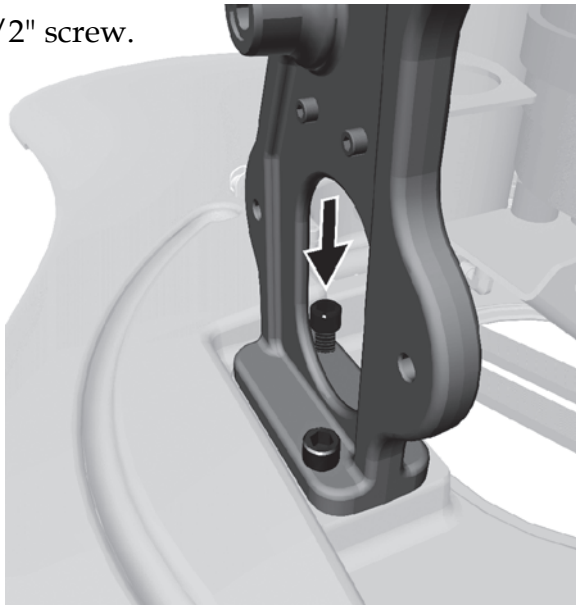


Task 4.

- 1 Remove the back screw.

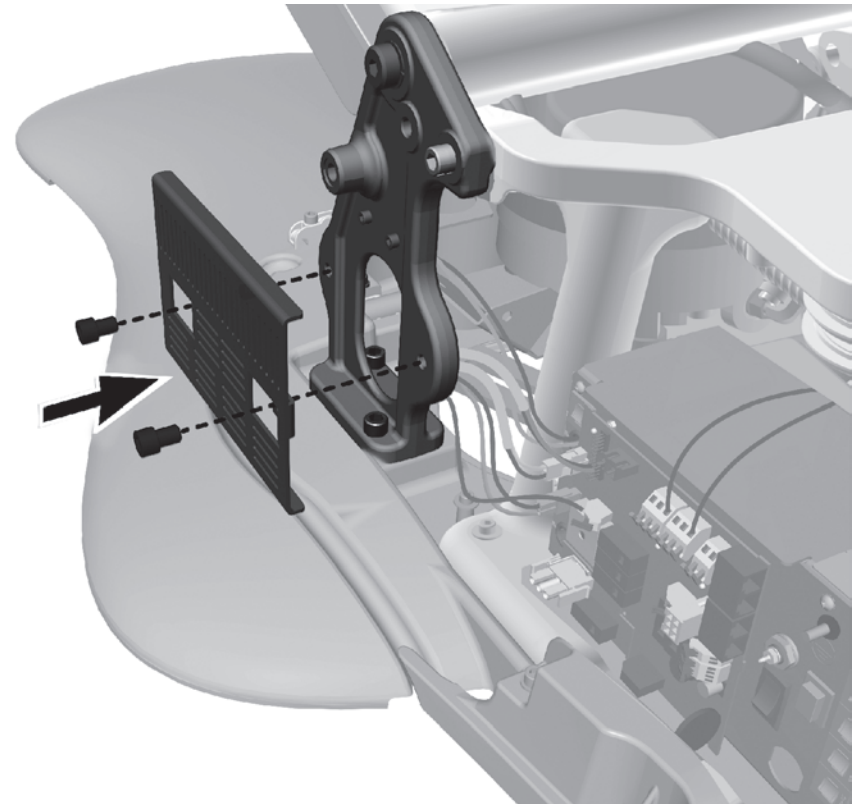


- 2 Install the new 1-1/2" screw.



Task 5.

- 1 Replace the ancillaries bracket.
- 2 Reinstall any ancillaries that were removed.

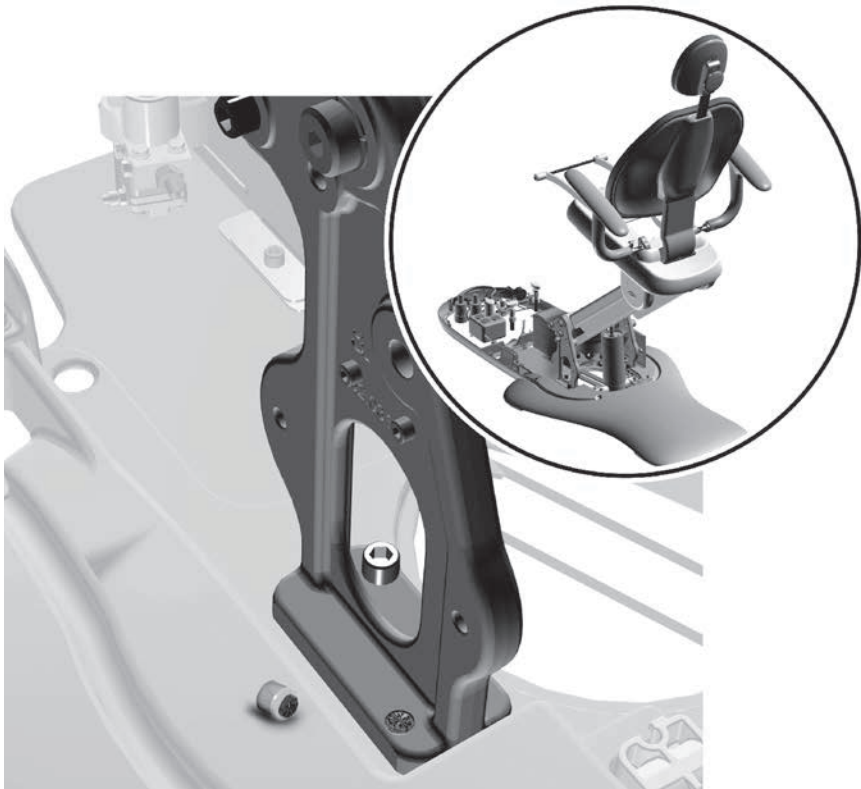


Task 6.

- 1 Check to see if any screw heads have broken off. If a screw has broken, replace that screw first. See “Replace a Broken Screw” on page 24.

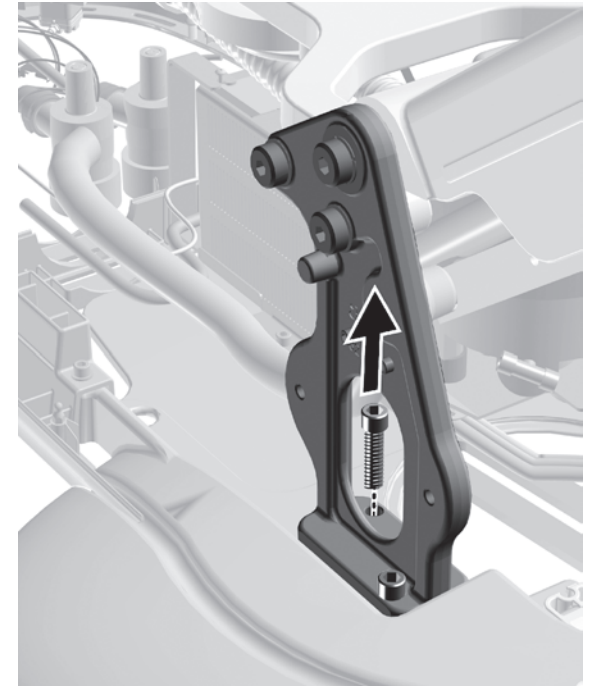


NOTE If there is a broken screw in the front position, call A-dec Customer Service for assistance. This screw is difficult to remove.

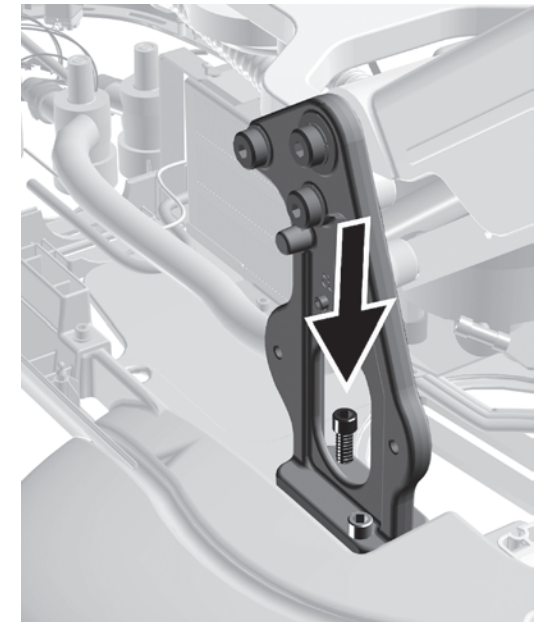


Task 7.

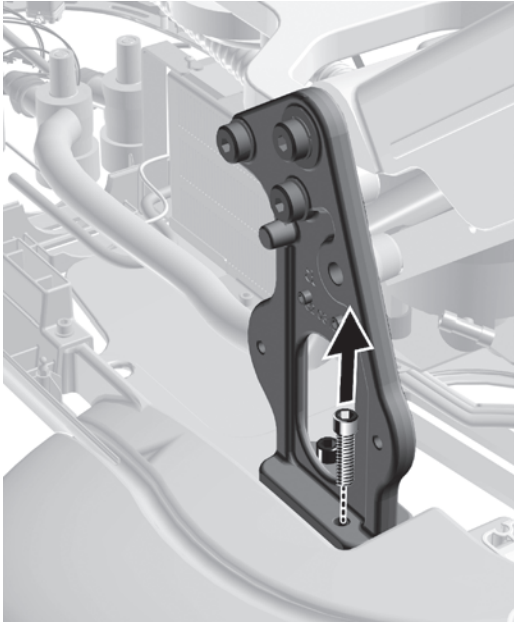
- 1 Remove the front screw.



- 2 Install the new 1-1/2" screw.

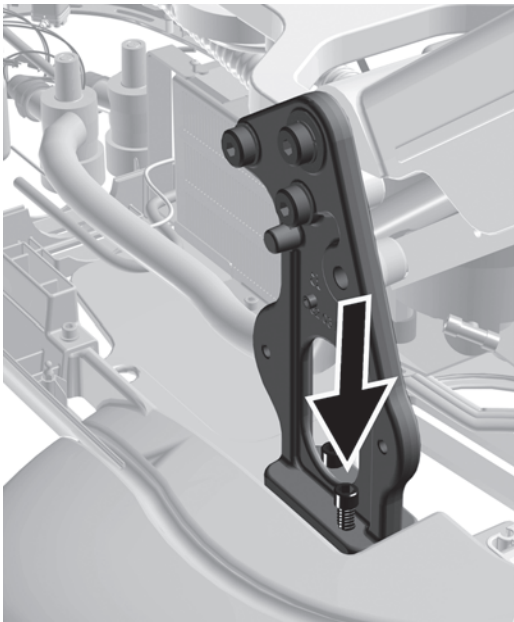


Task 8.



- 1** Remove the back screw.

Task 9. Continue with “Level the System” on page 26.



- 2** Install the new 1-1/2" screw.

Base Mount Light Post Systems

Recommended Tool

5/16" hex key

Task 1.

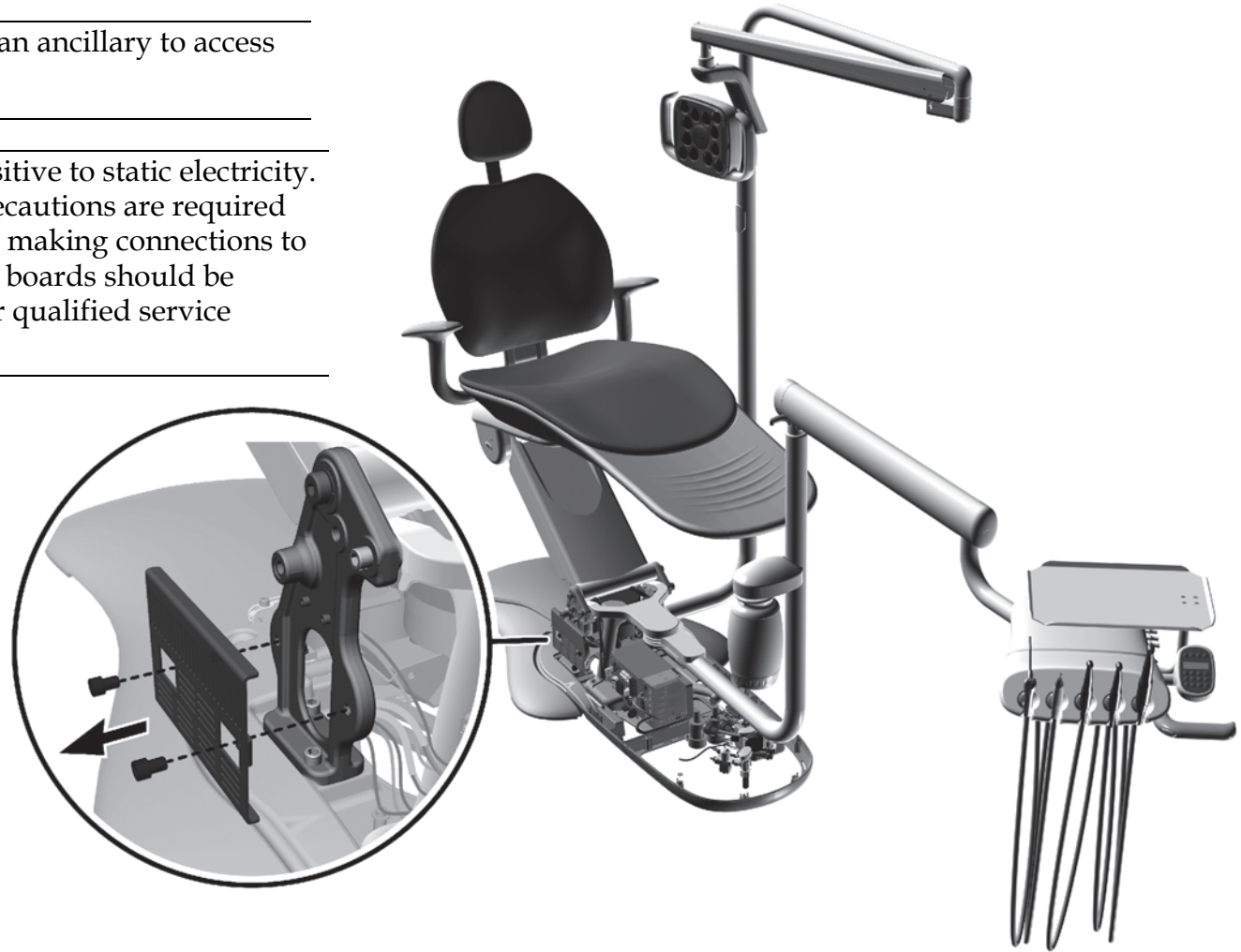
- 1 Remove the ancillaries bracket.



NOTE You may need to remove an ancillary to access the bracket's mounting screws.

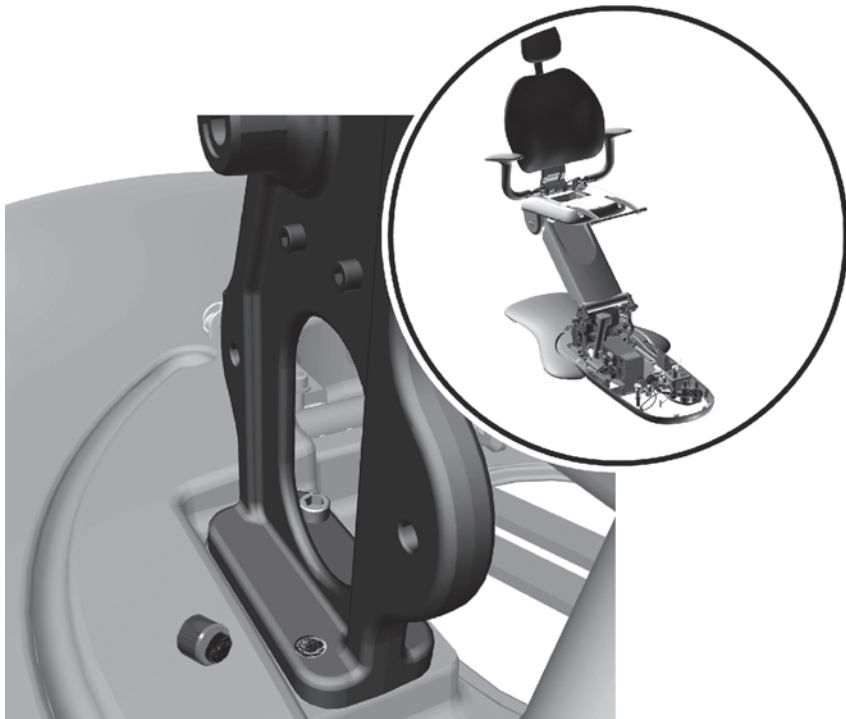


CAUTION Circuit boards are sensitive to static electricity. Electrostatic Discharge (ESD) precautions are required when touching a circuit board or making connections to or from the circuit board. Circuit boards should be installed only by an electrician or qualified service person.



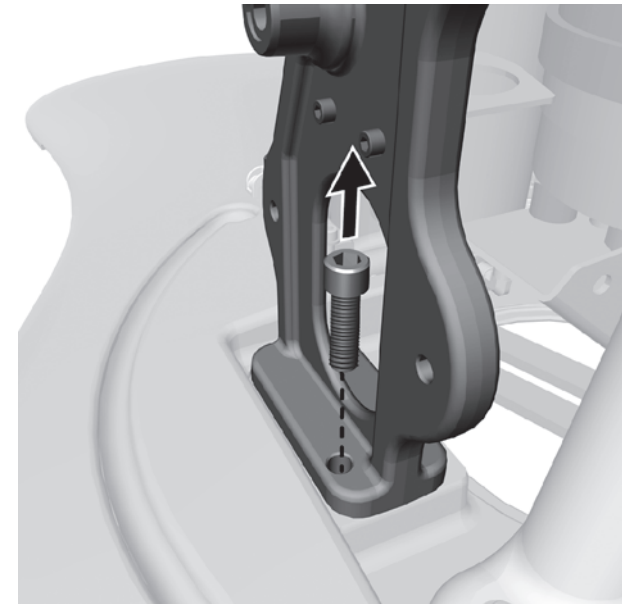
Task 2.

- 1 Check the tower on the other side of the chair to see if any screw heads have broken off. If a screw has broken, replace that screw first. See "Replace a Broken Screw" on page 24.

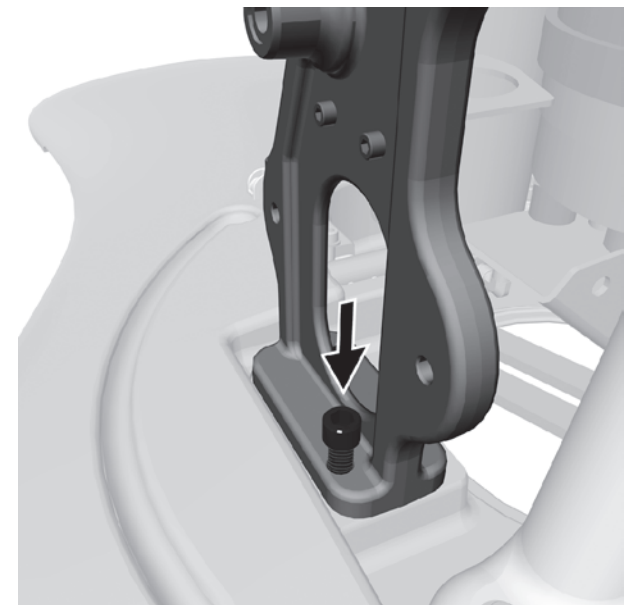


Task 3.

- 1 Remove the front screw.

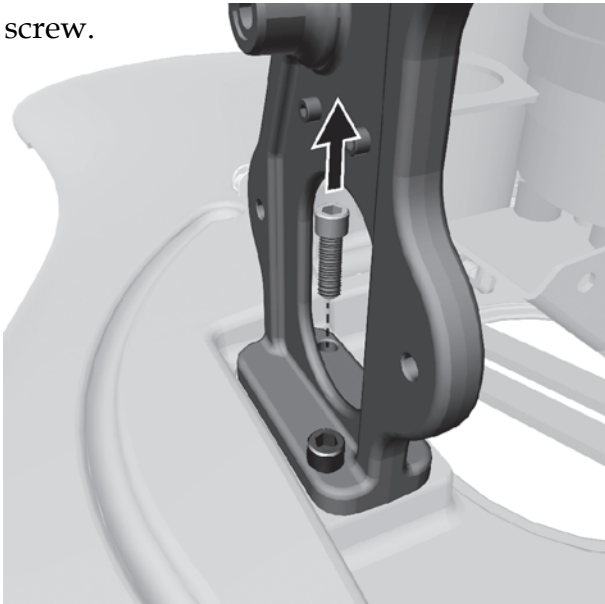


- 2 Install the new 1-1/2" screw.

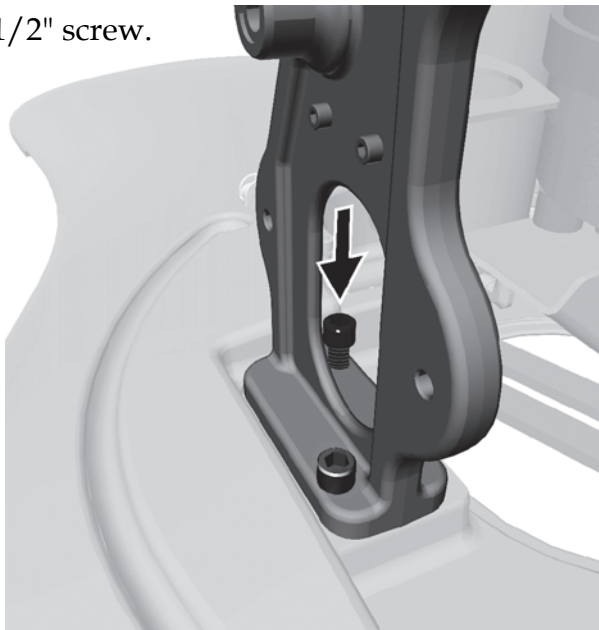


Task 4.

- 1 Remove the back screw.

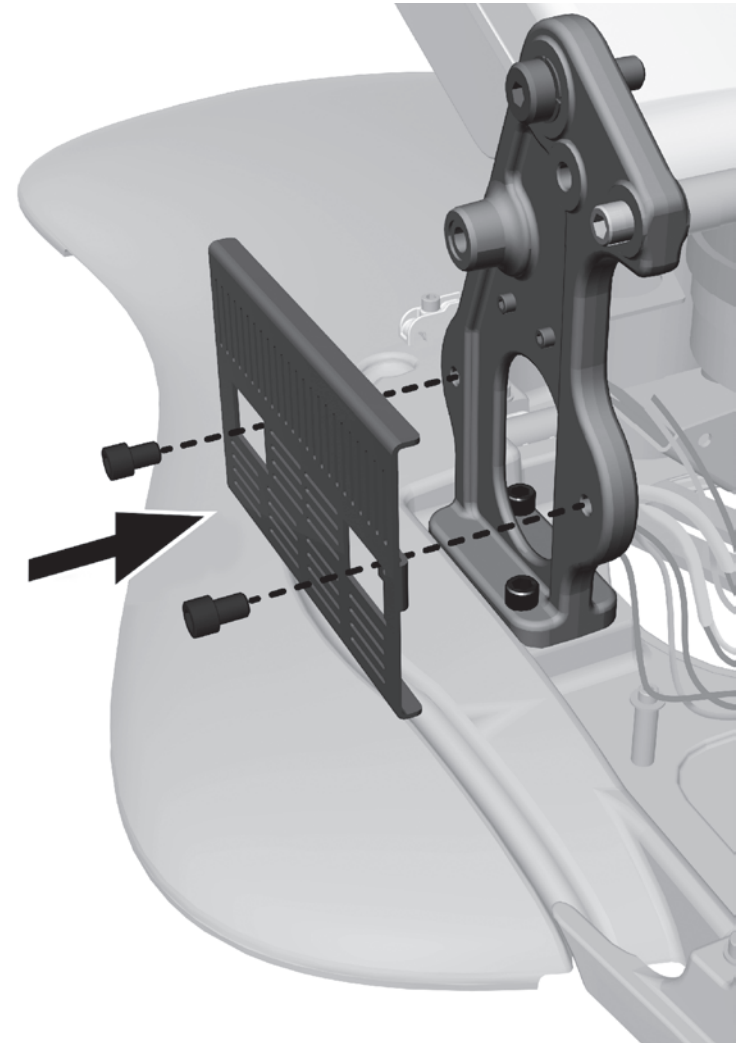


- 2 Install the new 1-1/2" screw.



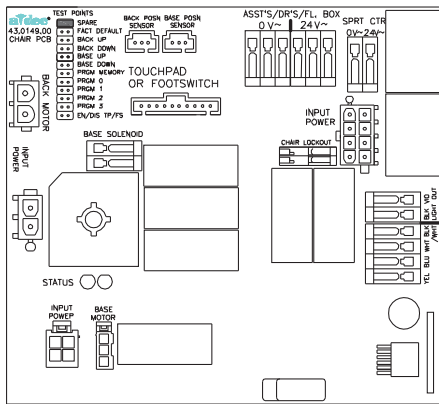
Task 5.

- 1 Replace the ancillaries bracket.
- 2 Reinstall any ancillaries that were removed.

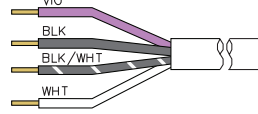


Task 6.

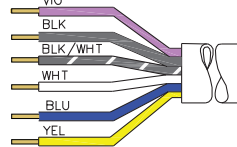
- 1 Detach the light wires from the chair circuit board.



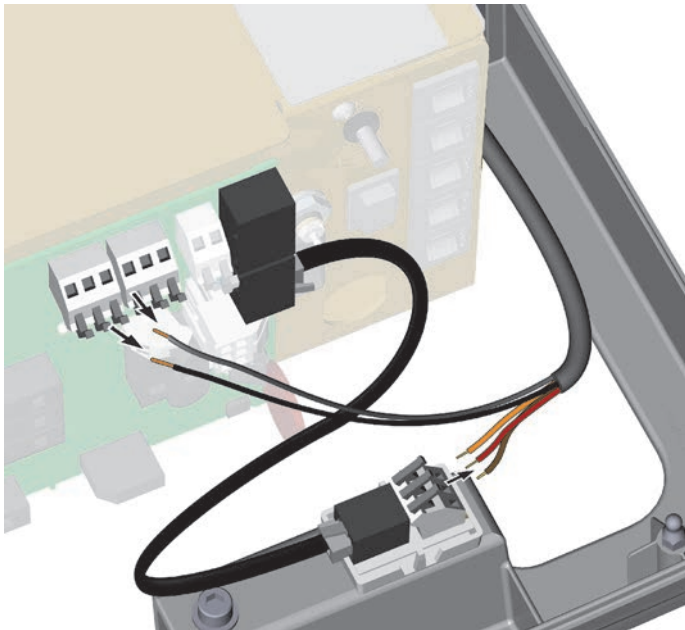
A-dec 371 Light Cable



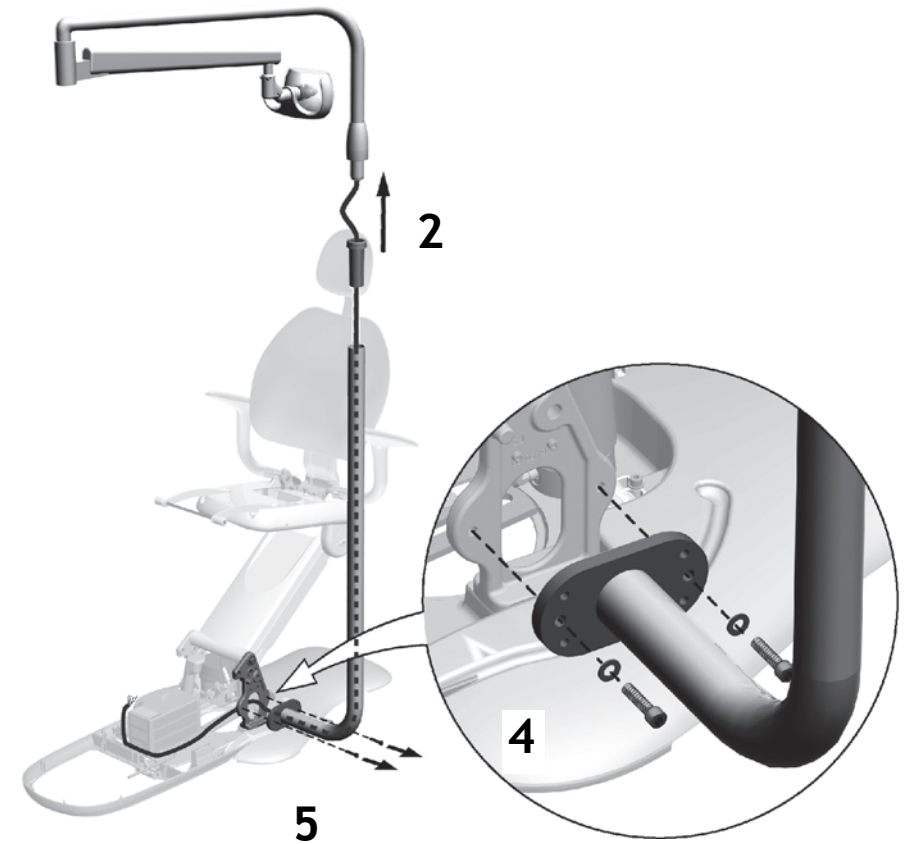
A-dec 571 Light Cable



A-dec 571L LED Light Cable

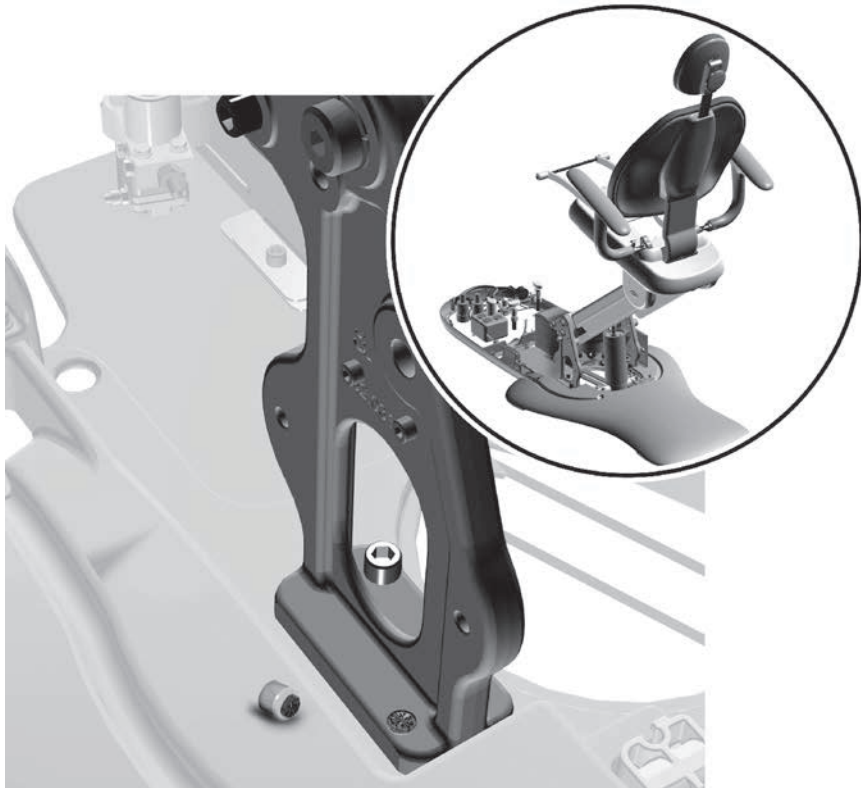


2. Lift the light off of the post and pull the light cable out of the post.
3. Carefully place the light aside.
4. Remove the two washers and screws that secure the base mount light post to the tower.
5. Remove the base mount light post and set it aside.



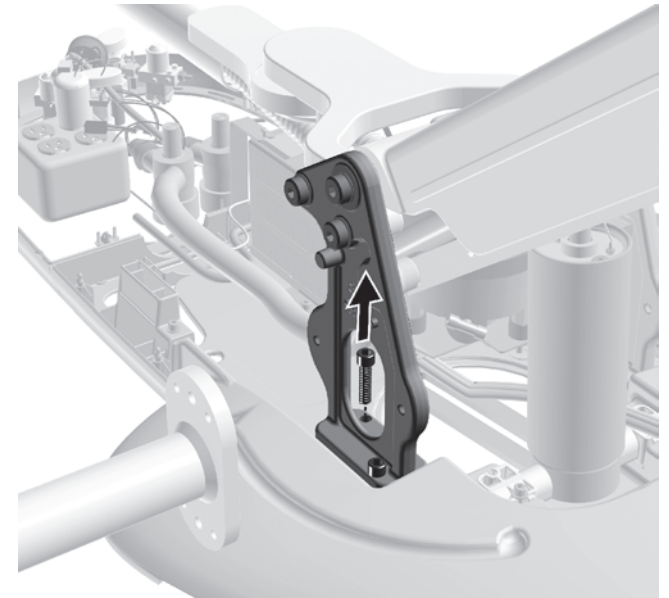
Task 7.

- 1 Check to see if any screw heads have broken off. If a screw has broken, replace that screw first. See "Replace a Broken Screw" on page 24.

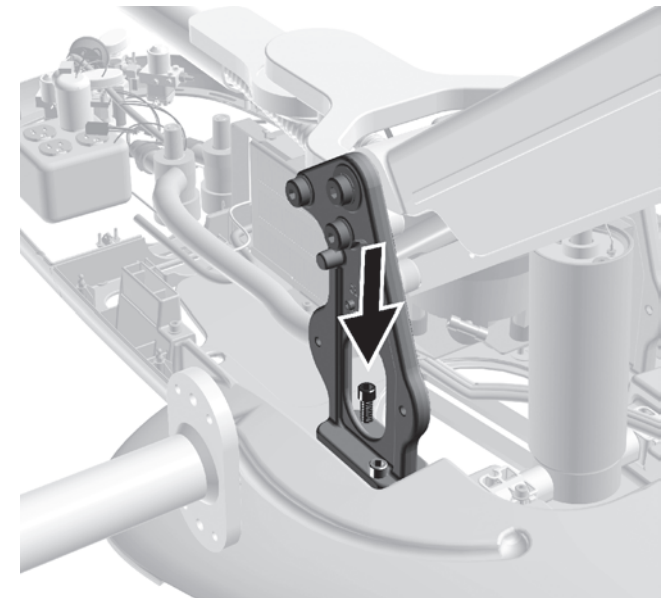


Task 8.

- 1 Remove the front screw.

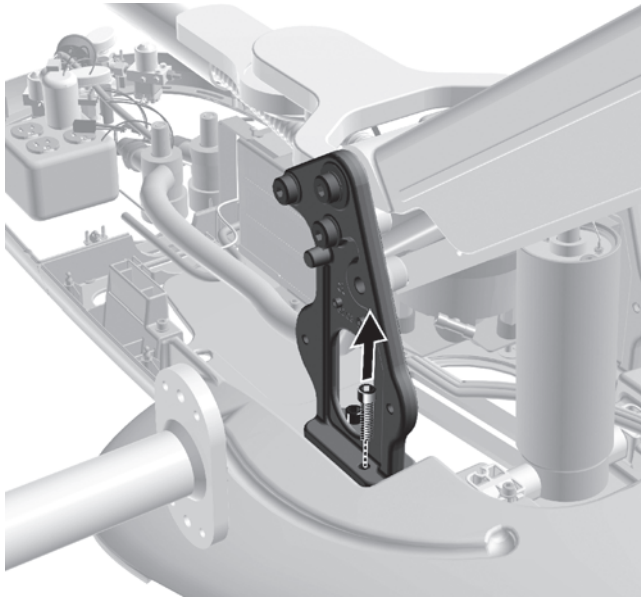


- 2 Install the new 1-1/2" screw.

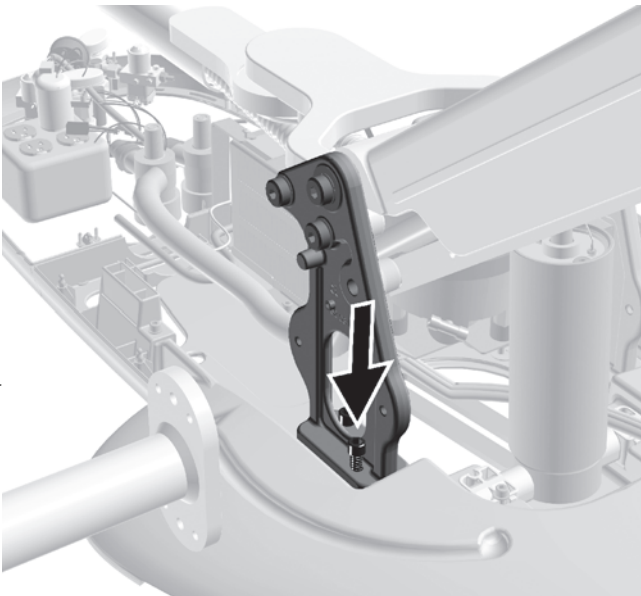


Task 9.

- 1 Remove the back screw.

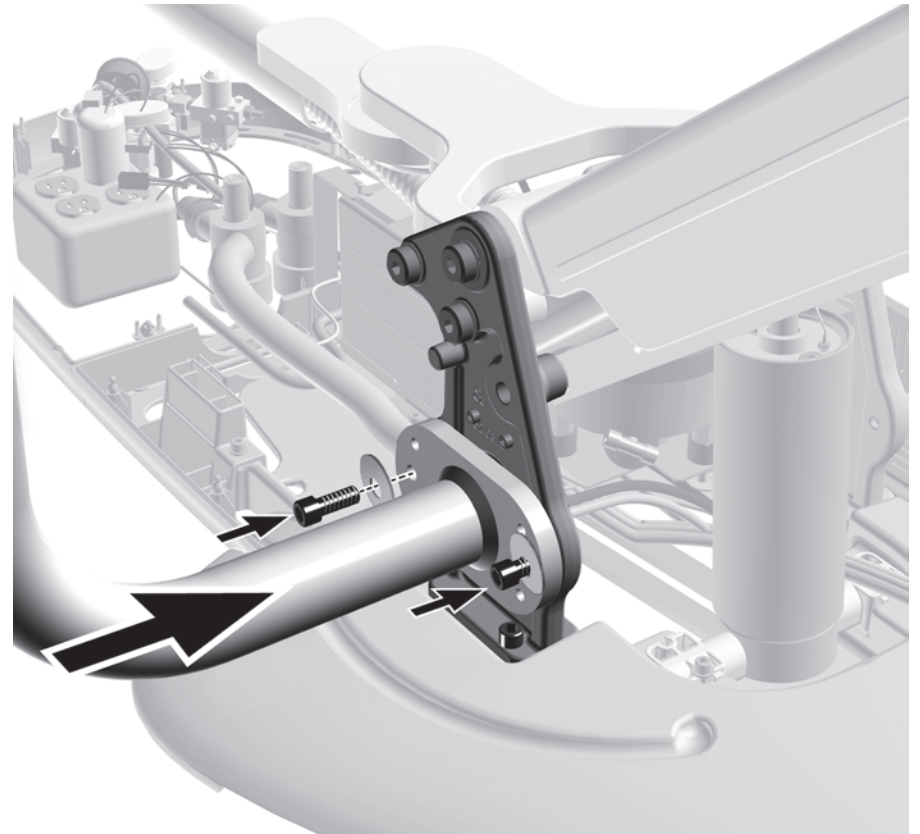


- 2 Install the new 1-1/2" screw.



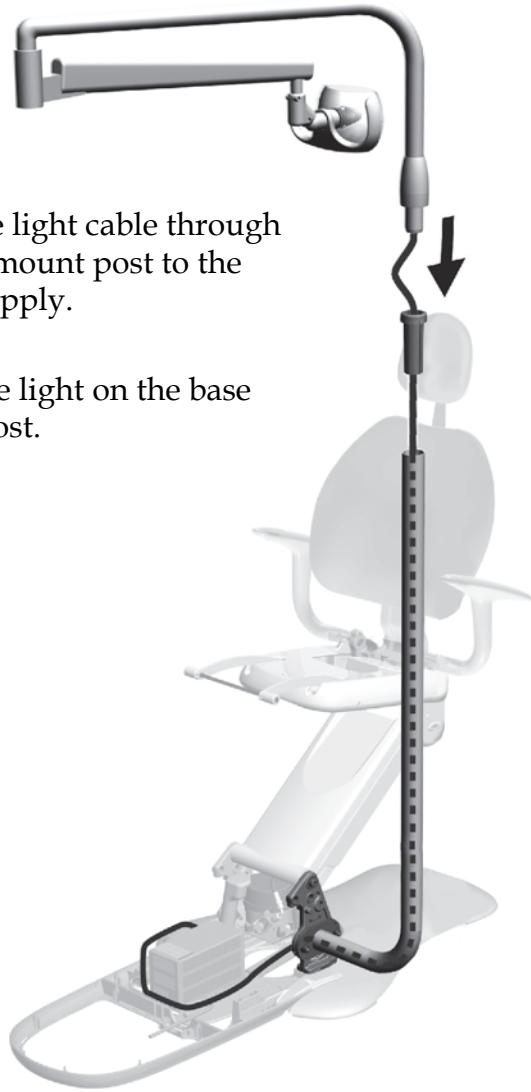
Task 10.

- 1 Use the old washers and the new screws to reinstall the base mount post.



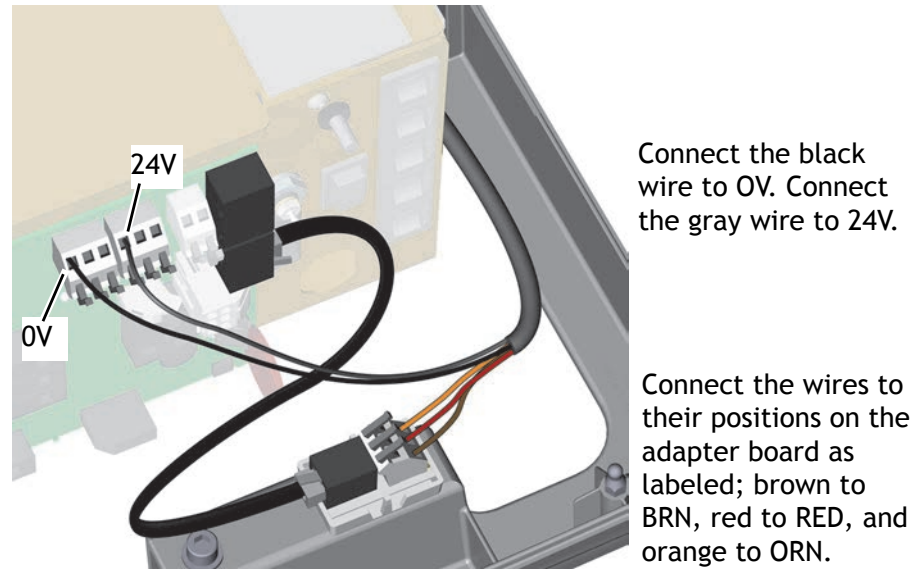
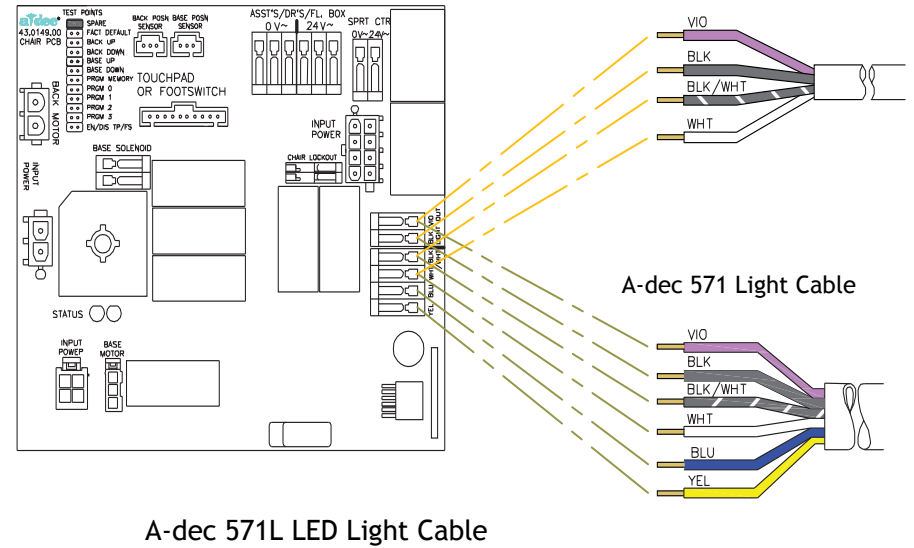
Task 11.

- 1 Route the light cable through the base mount post to the power supply.
- 2 Install the light on the base mount post.



Task 12.

- 1 Connect the dental light cables.



- 2 Continue with "Level the System" on page 26.

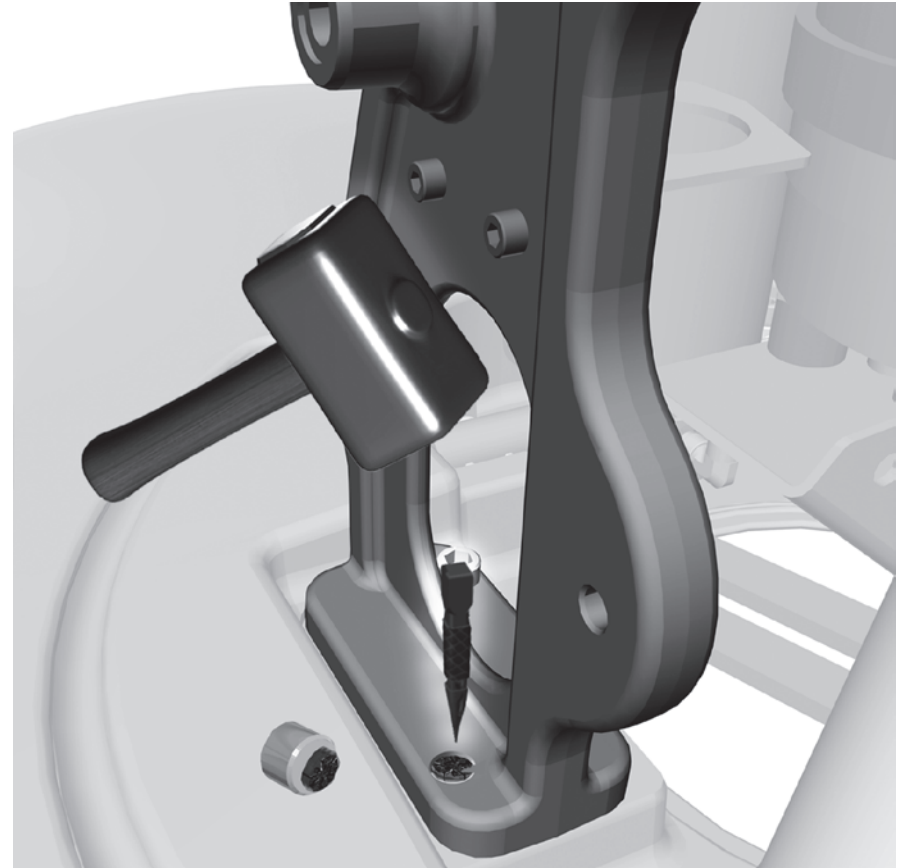
Replace a Broken Screw

Recommended Tools

- Center punch
- Hammer
- Easy Out tool
- Drill
- 1/4" and 5/32" left hand drill bits

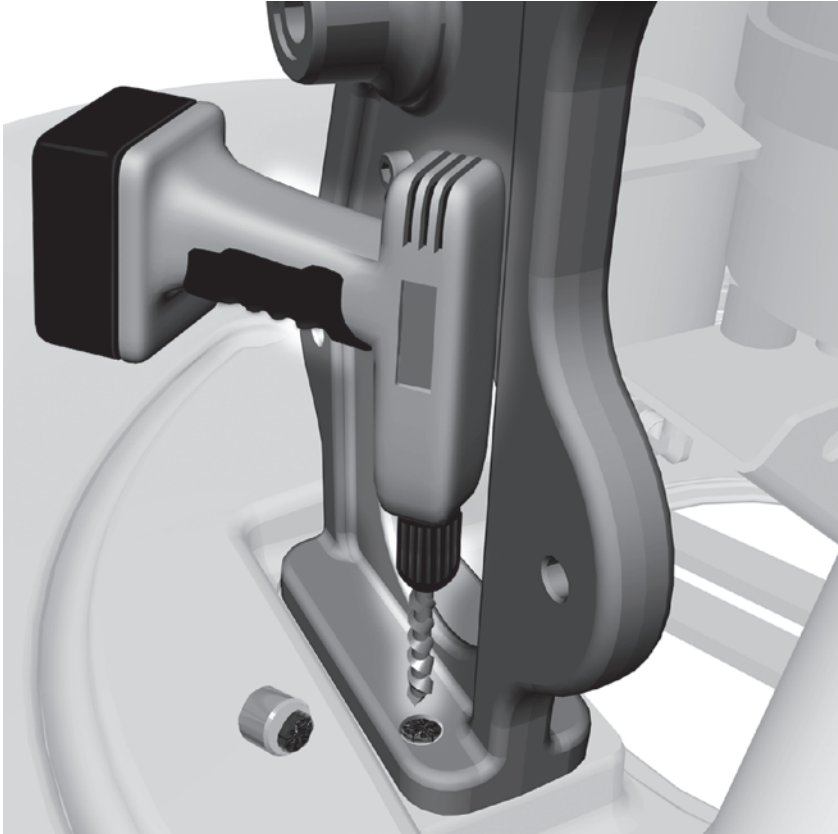
Task 1.

- 1 Use the center punch to mark the middle of the screw.



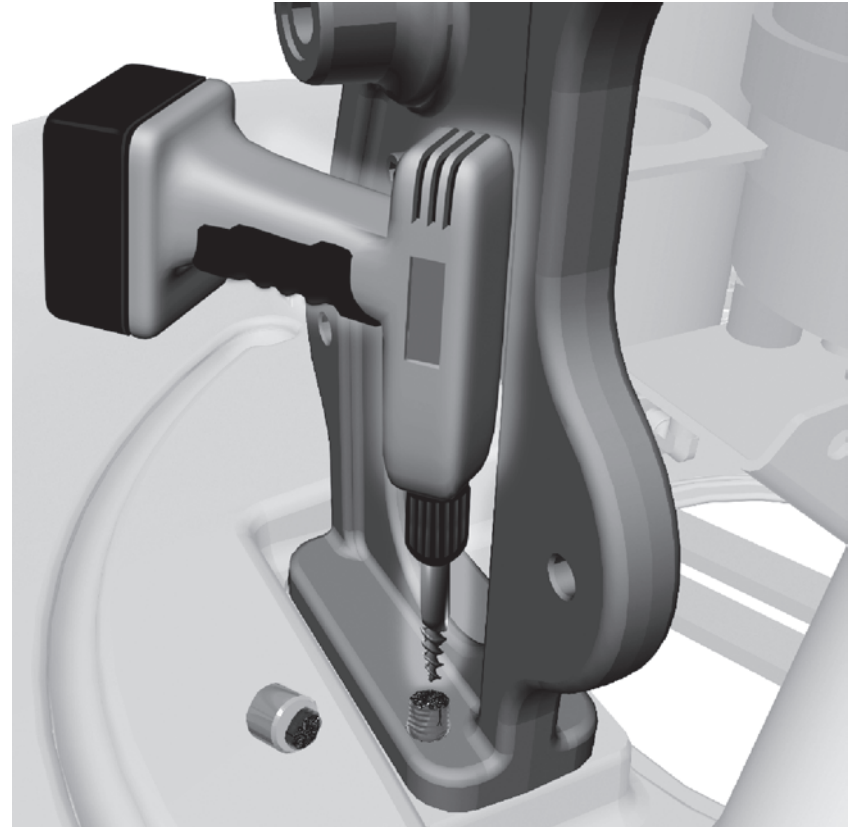
Task 2.

- 1 To remove the screw, use a 5/32" left hand drill bit and drill it counterclockwise.



- Task 3. If you could not remove the screw with the left hand drill bit, use the Easy Out screw extractor.

- 1 Drill a pilot hole with the 1/4" drill bit.
- 2 Use the Easy Out tool to remove the broken screw.



- Task 4. Install the new screw before removing any other screws.

- Task 5. Continue with the main procedure.

Level the System

Level the Base Mount System

Check to verify that the control head does not drift when placed in treatment and entry/exit positions. If the control head drifts, make minor leveling adjustments by slightly loosening the post mount screws. See the *A-dec 300® System Installation Guide* (86.0087.00) for more information on leveling.

Task 1.

- 1 Use a 5/16" hex key and the mounting screws to level the base mount post.



Level the Base Mount Light Post

Task 1.

- 1 Use a 5/16" hex key and the mounting screws to level the base mount light post.



Test the System

Use the touchpad or footswitch to move the chair through the full range of motion including full base and back up. Ensure the chair is completely stable while testing it. Test any ancillary products or other system components that were disconnected during this installation for proper operation.

Replace the Covers

Replace the covers on your system.



TIP Hold the trim ring cover above the support center covers when replacing them so that it sits on top of them after installation.

Reinstall the Upholstery

Reinstall the upholstery on the chair.

Regulatory Information

Regulatory information is provided with A-dec equipment as mandated by agency requirements. This information is delivered in the equipment's *Instructions for Use* or the separate *Regulatory Information and Specifications* document. If you need this information, please go to the Document Library at www.a-dec.com.



A-dec Headquarters, 2601 Crestview Drive, Newberg, OR 97132 USA
Tel: 1.800.547.1883 Within USA/Canada, Tel: 1.503.538.7478 Outside USA/Canada
www.a-dec.com / www.a-dec.biz

A-dec Inc. makes no warranty of any kind with regard to the content in this document including, but not limited to, the implied warranties of merchantability and fitness for a particular purpose.



86.0404.00 Rev A
Copyright 2012 A-dec Inc.
All rights reserved.
IGLndscp2