



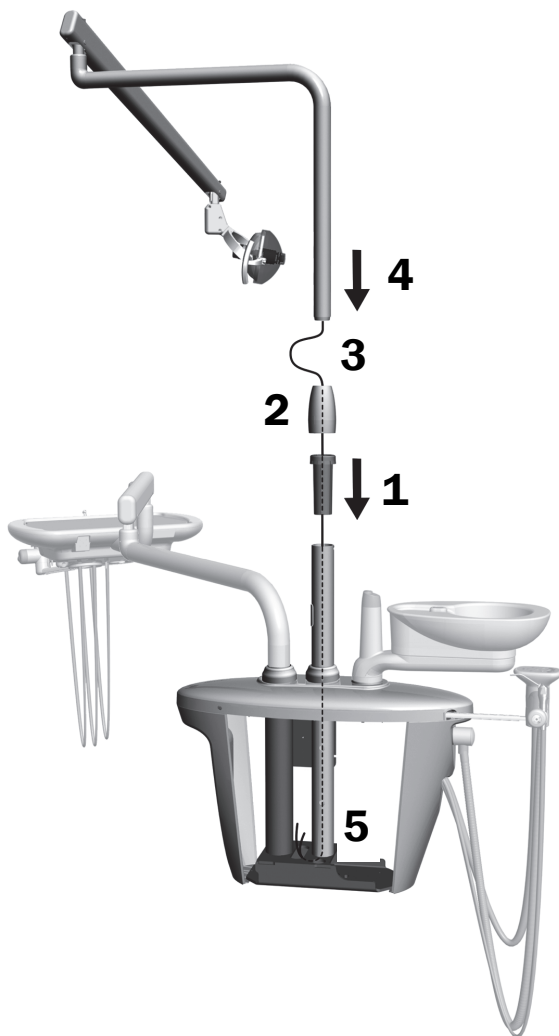
A-dec 571-200 Dental Light on an A-dec 200 Dental Chair

INSTALLATION GUIDE

Install the Dental Light



CAUTION When removing or replacing covers, take care not to damage any wiring. Verify that the covers are secure after replacing them.



1. Insert and fully seat the bearing in the support center post.
2. Place the trim cover on top of the bearing.
3. Route wiring down into the support center post.
4. Insert the dental light post.
5. Route the wiring out of the post into the support center.

Connect the Dental Light

- 1 Turn off power to the system.



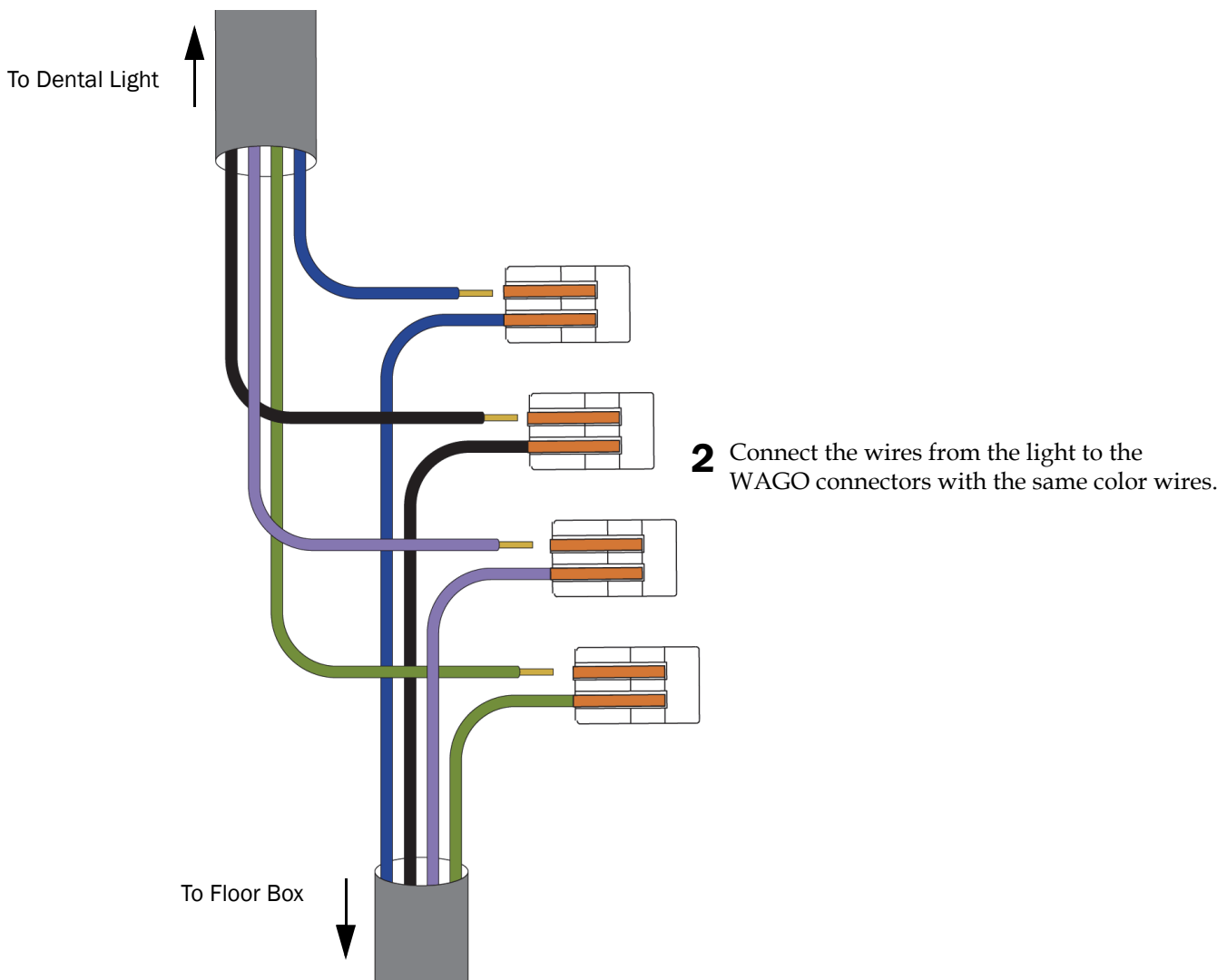
DANGER Failure to turn off the power before you begin this procedure can result in electric shock.



WARNING Failure to turn off the power before you begin this procedure can lead to product damage and result in serious injury or death.



NOTE If the system includes a delivery system, install it before installing the dental light. For instructions on installing the delivery system, see *A-dec 200 Installation Guide* (p/n 86.0004.00).

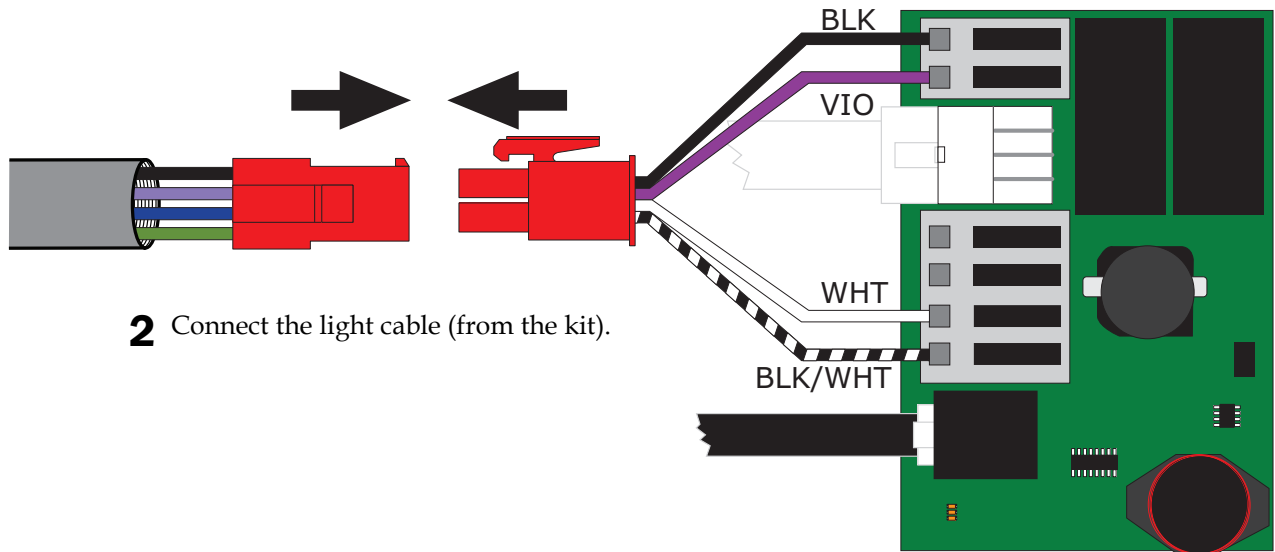


Connect the Dental Light Cable

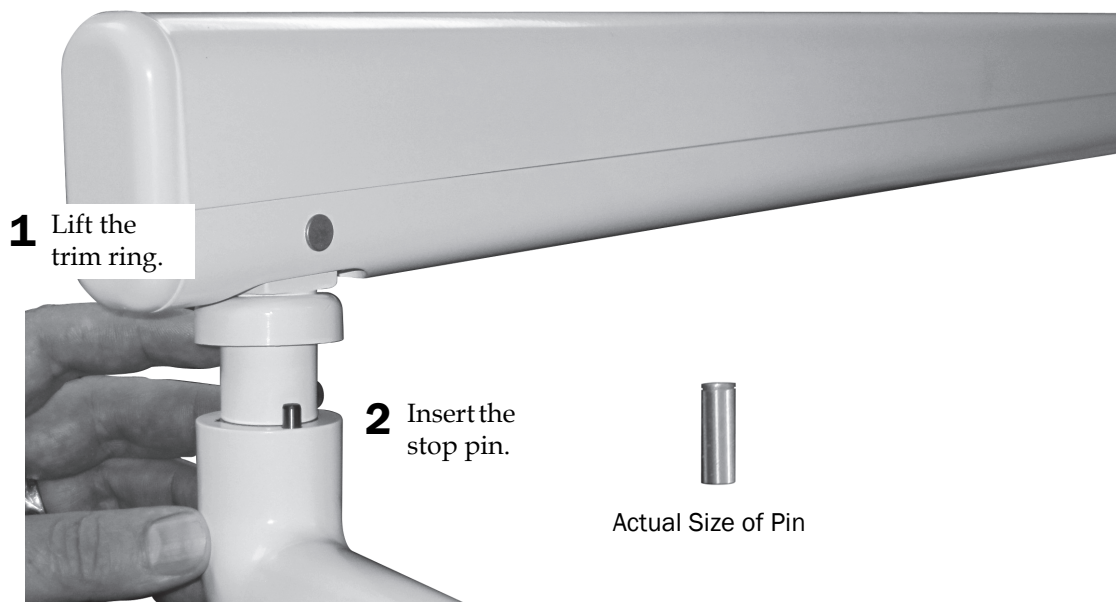


CAUTION Circuit boards are sensitive to static electricity. Electrostatic Discharge (ESD) precautions are required when touching a circuit board or making connections to or from the circuit board. Circuit boards should be installed by an electrician or qualified service personnel.

1 Connect the wires to their positions on the relay board.



Install the Dental Light Flexarm Rotation Stop Pin



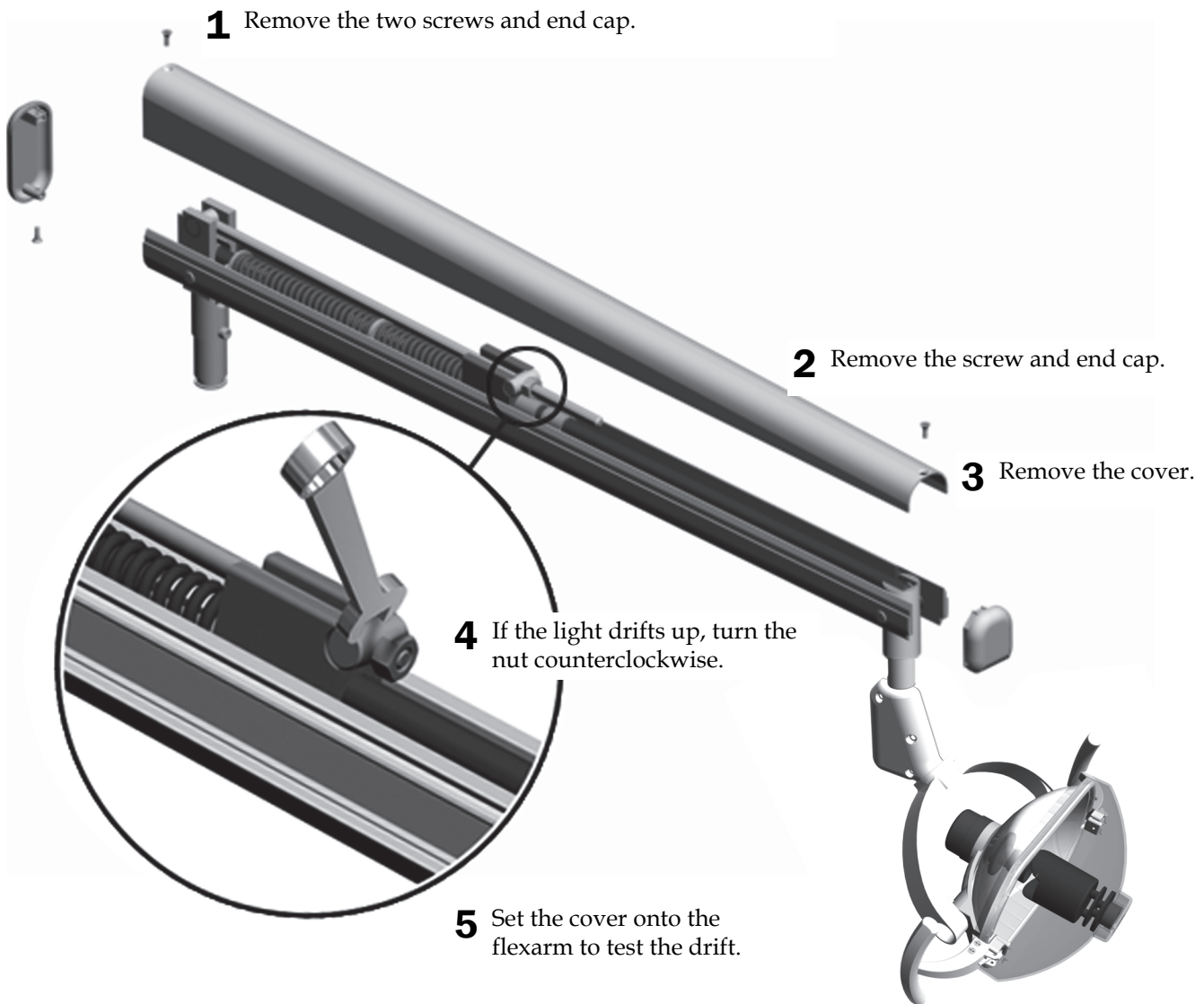
Adjust the Dental Light Flexarm Counterbalance (if needed)

Recommended Tools

- Phillips head screwdriver
- 1/2" combination wrench



NOTE An optional travel stop limit kit (p/n 90.1044.00) can be installed to limit the upward and downward motion of the flexarm.

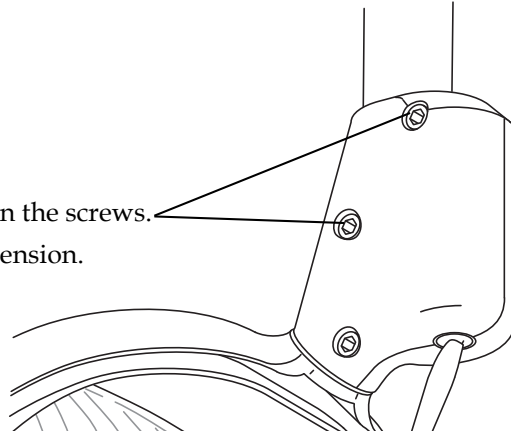


Adjust the Dental Light Horizontal Rotation

Recommended Tool

- 5/32" hex key

- 1** To adjust the tension, turn the screws.
Clockwise increases the tension.

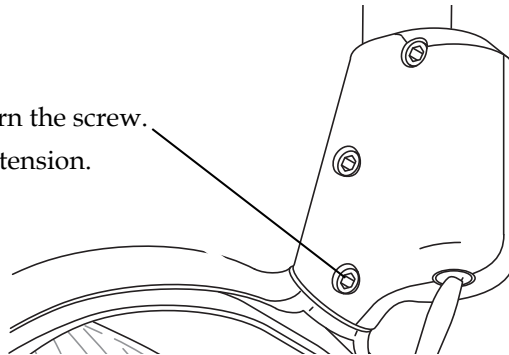


Adjust the Dental Light Diagonal Rotation

Recommended Tool

- 5/32" hex key

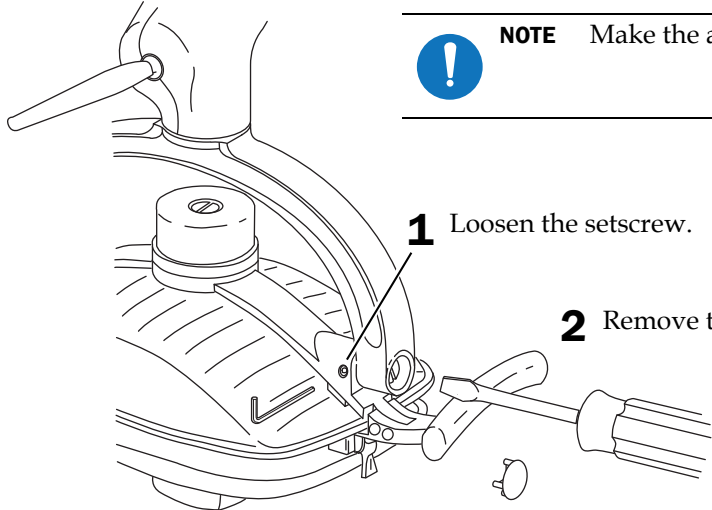
- 1** To adjust the tension, turn the screw.
Clockwise increases the tension.



Adjust the Dental Light Vertical Rotation

Recommended Tools

- 5/64" hex key
- Standard screwdriver



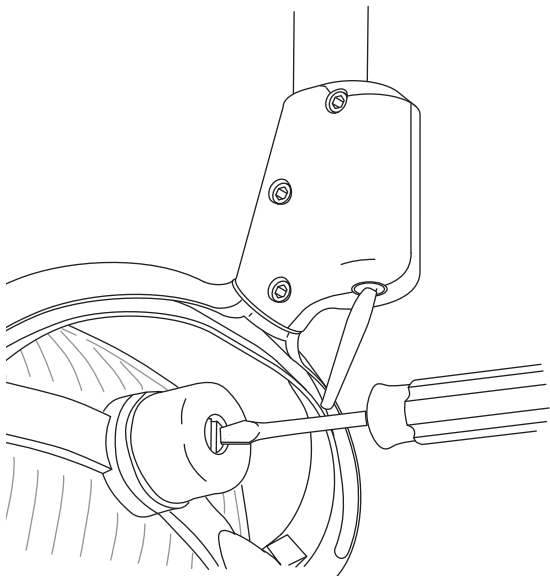
NOTE Make the adjustment to only one side of the light head.

- 1** Loosen the setscrew.
- 2** Remove the light yoke plug.
- 3** To adjust the tension, turn the screw. Clockwise increases the tension.

Adjust the Dental Light Focus

Recommended Tool

- Standard screwdriver



- 1** Position the light head at a distance for normal use.
- 2** Turn on the light.
- 3** Adjust the screw until the light is a 50-75 mm (2-3") narrow band with feathered edges.

Touchpad Settings

For dental light touchpad settings, see the “Touchpad Settings” section of the *A-dec 200 Installation Guide* (p/n 86.0004.00).

Test the Dental Light

Test the dental light to ensure that:

- All light intensity settings work properly.
- A spare bulb is included (A-dec p/n 041.709.00).
- The dental light flexarm and head tension are properly adjusted.

Regulatory Information

Regulatory information mandated by agency requirements is provided in the *Regulatory Information, Specifications, and Warranty* document (p/n 86.0221.00), which is available in the Document Library at www.a-dec.com.

A-dec Headquarters

2601 Crestview Drive
Newberg, OR 97132 USA
Tel:1.800.547.1883 Within USA/Canada
Tel:1.503.538.7478 Outside USA/Canada
Fax:1.503.538.0276
www.a-dec.com / www.a-dec.biz

A-dec Inc. makes no warranty of any kind with regard to the content in this document including, but not limited to, the implied warranties of merchantability and fitness for a particular purpose.



86.0531.00 Rev A
Copyright 2014 A-dec Inc.
All rights reserved.
IGrphpor11