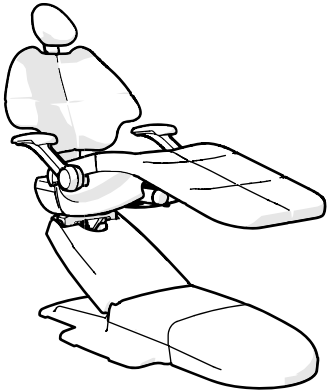


# A-dec® 511 Dental Chair and Related Modules Installation Sequence Maps



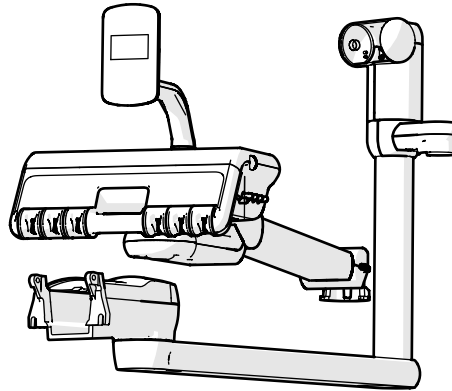
## A-dec 511B Dental Chair with A-dec 500 Delivery Systems and Supporting Modules Installation Sequence

1



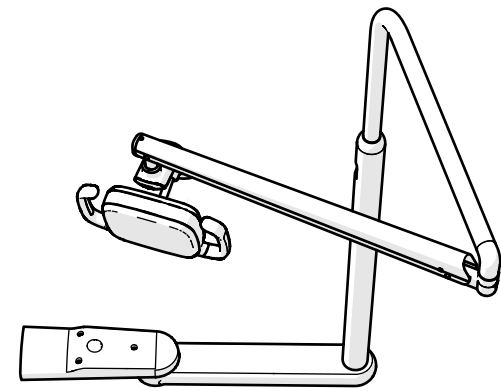
A-dec 511 Dental Chair  
Installation Guide  
86.0648.00

2



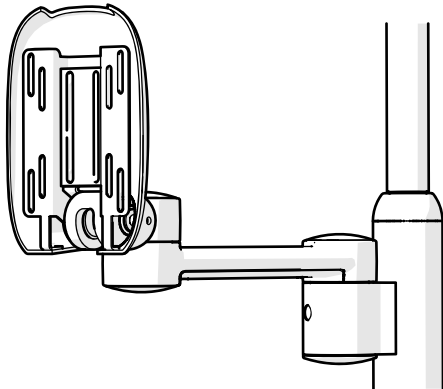
A-dec 532/533 Delivery System  
Installation Guide  
86.0479.00

3



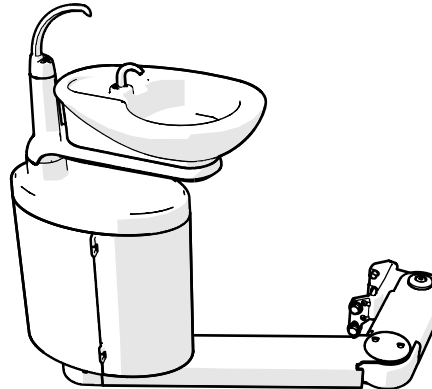
A-dec 572L Dental Light on A-dec 511  
Dental Chair Installation Guide  
86.0795.00

4



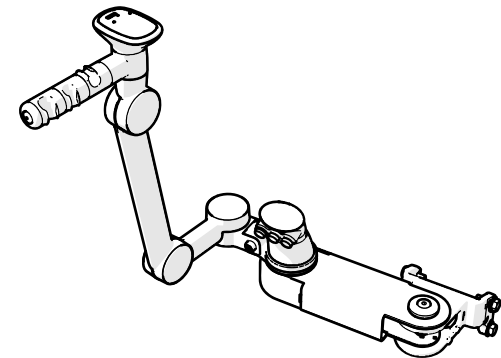
A-dec 482/381 Monitor Mount  
Installation Guide  
86.0410.00

5



A-dec 461 Support Center on A-dec  
311/411/511 Dental Chair  
Installation Guide  
86.0387.00

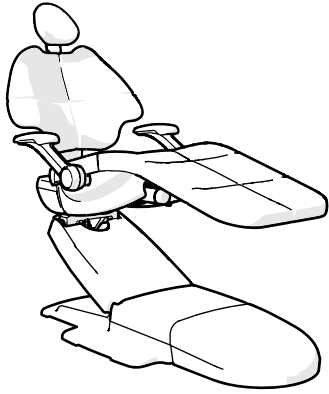
6



Assistant's Instrumentation  
Installation Guides  
A-dec 551 - 86.0388.00  
A-dec 351 - 86.0569.00

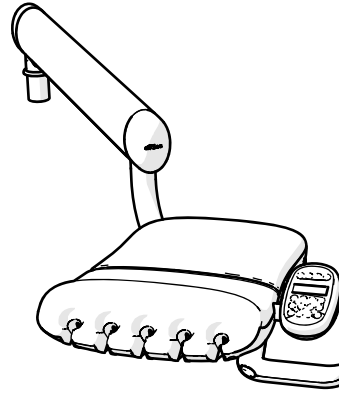
# A-dec 511B Dental Chair with A-dec 300 Pro Delivery Systems and Supporting Modules Installation Sequence

1



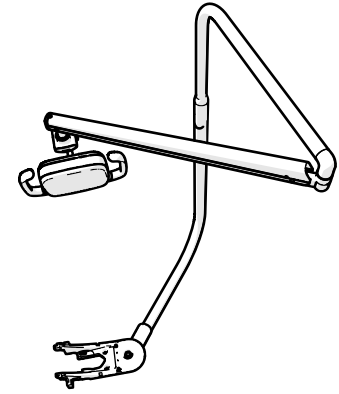
A-dec 511 Dental Chair  
Installation Guide  
86.0648.00

2



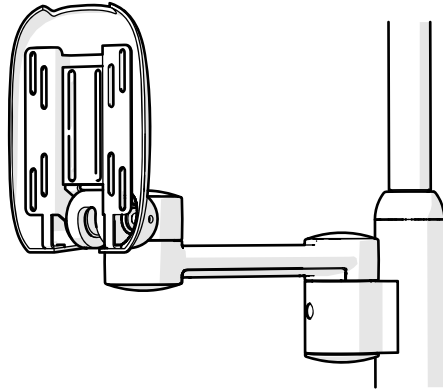
A-dec 332pro/333pro/336pro  
Delivery System on A-dec 511  
Dental Chair 86.1018.00

3



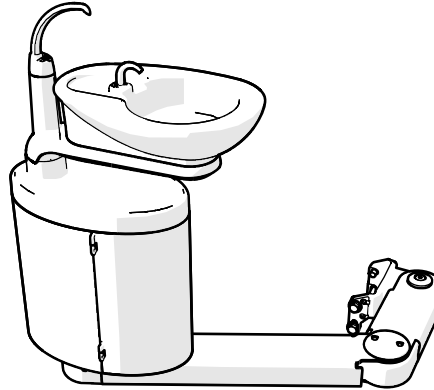
A-dec 372L/572L Dental Light  
Installation Guide  
86.0333.00

4



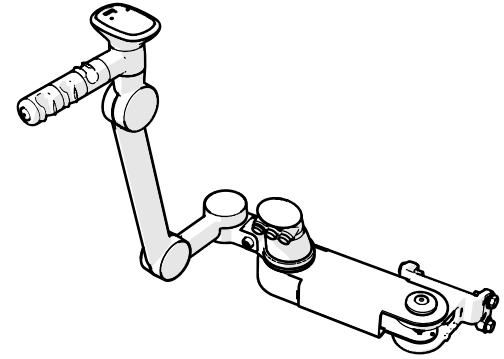
Monitor Mount  
Installation Guides  
A-dec 482/381 - 86.0410.00  
A-dec 382 - 86.0413.00

5



A-dec 461 Support Center on A-dec  
311/411/511 Dental Chair  
Installation Guide  
86.0387.00

6



Assistant's Instrumentation  
Installation Guides  
A-dec 551 - 86.0388.00  
A-dec 351 - 86.0569.00

