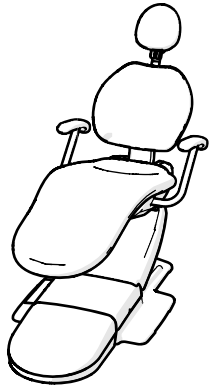


# A-dec® 311 Dental Chair and Related Modules Installation Sequence Map



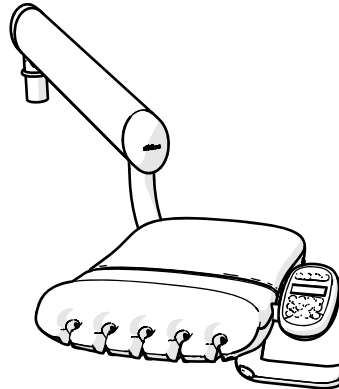
## A-dec 311B Dental Chair with A-dec 300 Delivery Systems and Supporting Modules Installation Sequence

1



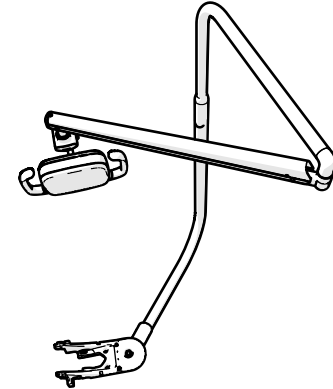
A-dec 311 Dental Chair  
Installation Guide  
86.0921.00

2



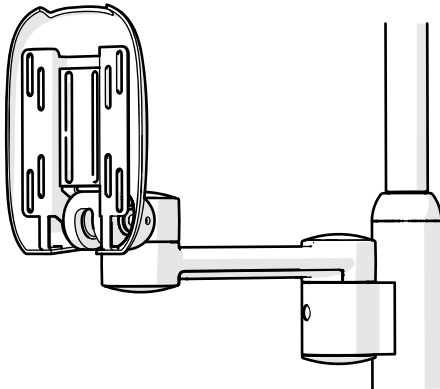
300 Delivery System Installation Guides  
A-dec 332/333/336 - 86.0307.00  
A-dec 332ft/332pro/333pro/336pro -  
86.1016.00

3



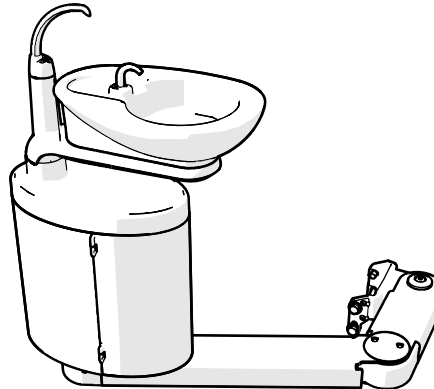
A-dec 372L/572L Dental Light  
Installation Guide  
86.0333.00

4



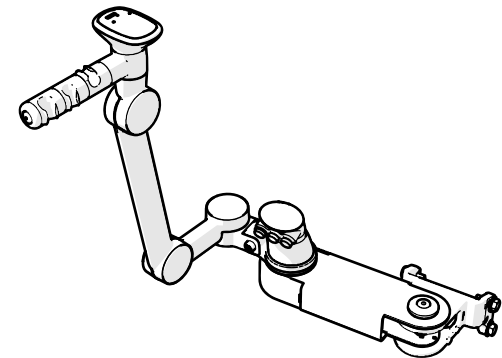
Monitor Mount  
Installation Guides  
A-dec 482/381 - 86.0410.00  
A-dec 382 - 86.0413.00

5



A-dec 461 Support Center  
Installation Guide  
86.0387.00

6



Assistant's Instrumentation  
Installation Guides  
A-dec 551 - 86.0388.00  
A-dec 351 - 86.0569.00



**A-dec Headquarters 2601 Crestview Drive, Newberg, OR 97132 USA**  
Tel: 1.800.547.1883 Within USA/Canada, Tel: 1.503.538.7478 Outside USA/Canada  
[www.a-dec.com](http://www.a-dec.com)

*A-dec Inc. makes no warranty of any kind with regard to the content in this document including, but not limited to, the implied warranties of merchantability and fitness for a particular purpose.*



86.0929.00 Rev B  
Date of Issue 2023-02-23  
Copyright 2023 A-dec, Inc  
All rights reserved.  
IGrphland9