

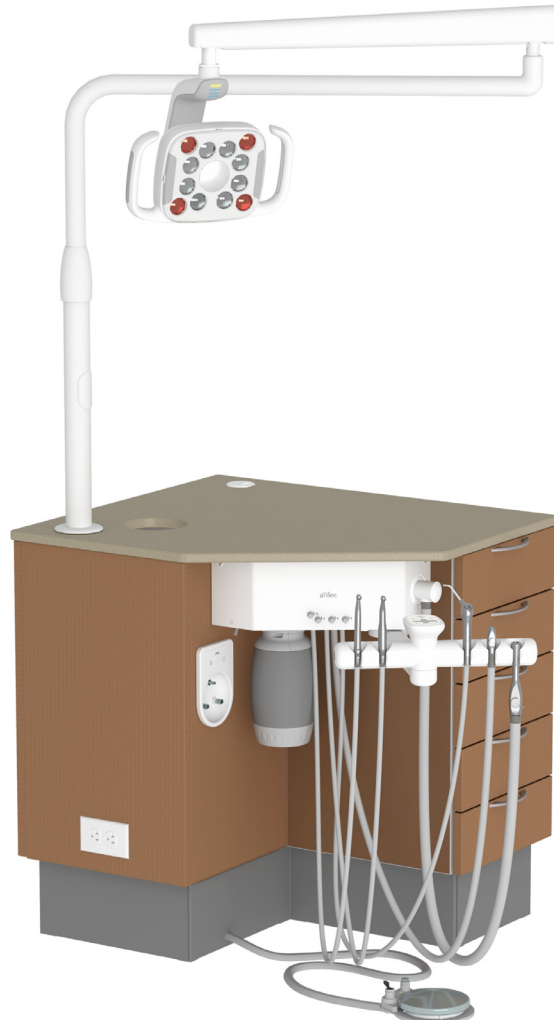


A-dec® 378L/578L Dental Light on an A-dec Inspire® 397 Specialty Cabinet

INSTALLATION GUIDE

Contents

Before You Begin	2
Install the Intermediate Post	3
Install the Flexarm Assembly into the Rigid Arm	5
Install the Dental Light Components	6
Connect the Wires and Data Lines	8
Test the Light	12
Regulatory Information and Warranty	16



A-dec 578L LED Dental Light on an A-dec Inspire 397 Specialty Cabinet with an A-dec 341sp Specialty Delivery System

Product Models and Versions Covered in This Document*

Models	Versions	Description
397	A	Dental Furniture
378L/578L	A	Dental Light

**Equipment shown in this document may include optional features or accessories. Some product models, versions, and options in this document may not be available in certain regions.*

Before You Begin



NOTE Information that is critical to a successful installation is shaded like this note throughout the guide.



WARNING Shock hazard. When you remove or replace the covers, take care not to damage any wiring or tubing. Verify that the covers are secure after you replace them.



NOTE The instructions in this installation guide apply to both the A-dec 378L and 578L dental lights, except where noted.

Recommended Tools

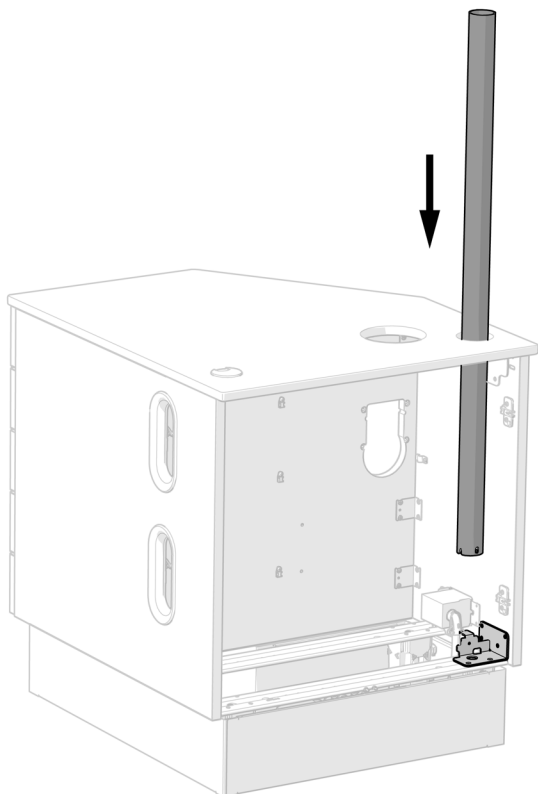
- Hex key set
- Four-foot level
- Umbilical snake
- Anti-static wrist strap

Install the Intermediate Post

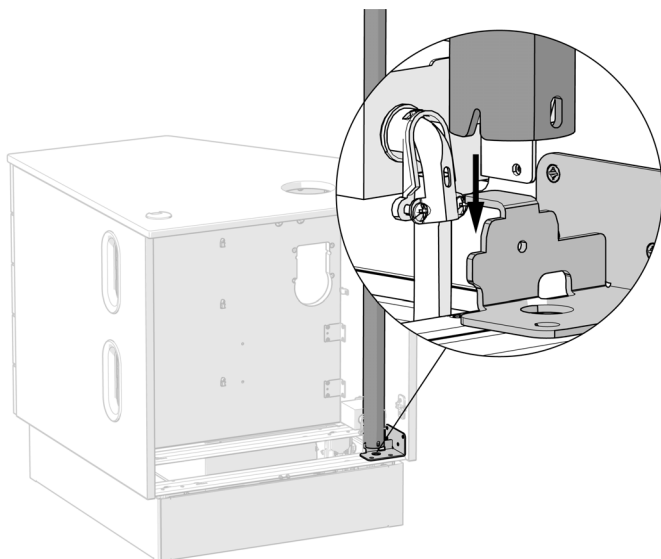
Recommended Tools

- 5/32" hex key
- Four-foot level

Task 1.

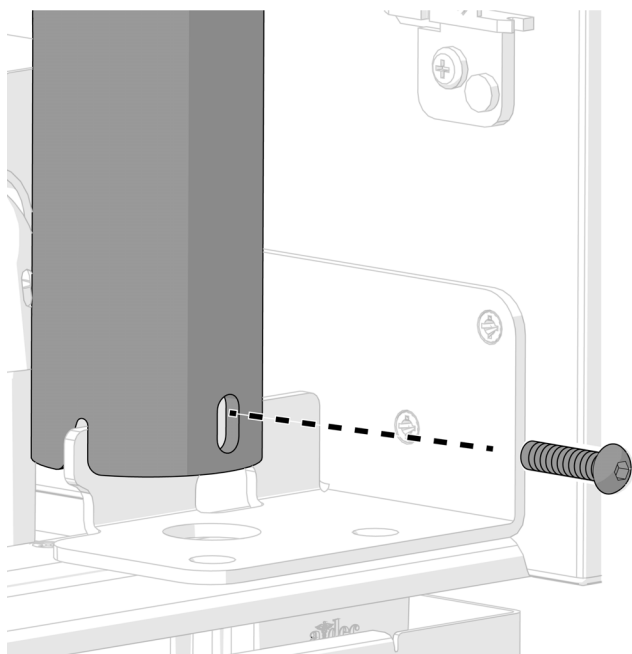


- 1** Insert the intermediate post through the hole in the countertop, down to the bracket in the bottom of the cabinet.



- 2** Slide the slot in the post over the ridge in the bracket.

Task 2.



1 Use a 5/32" hex key and the screw from the ship-with kit to secure the post to the bracket.

2 Check that the post is level vertically. If it isn't level, adjust the feet of the cabinet until it is level. See the *A-dec Inspire 397 Specialty Cabinet Installation Guide* (p/n 86.1084.00) for leveling instructions.



NOTE If the intermediate post is not level vertically, the light may drift after placed in position.



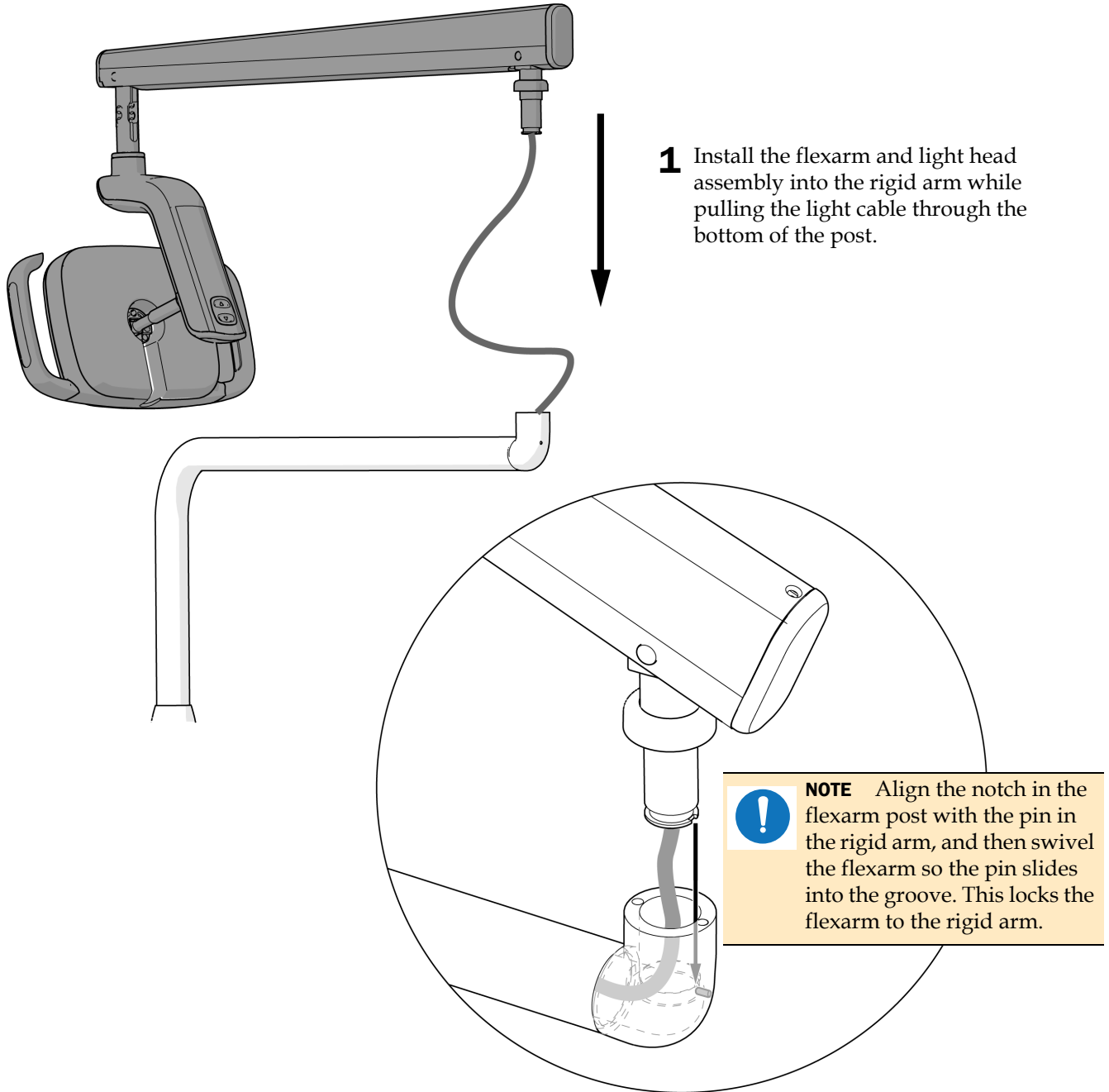
Actual Size

Install the Flexarm Assembly into the Rigid Arm

Recommended Tool

- Umbilical snake

Task 1.

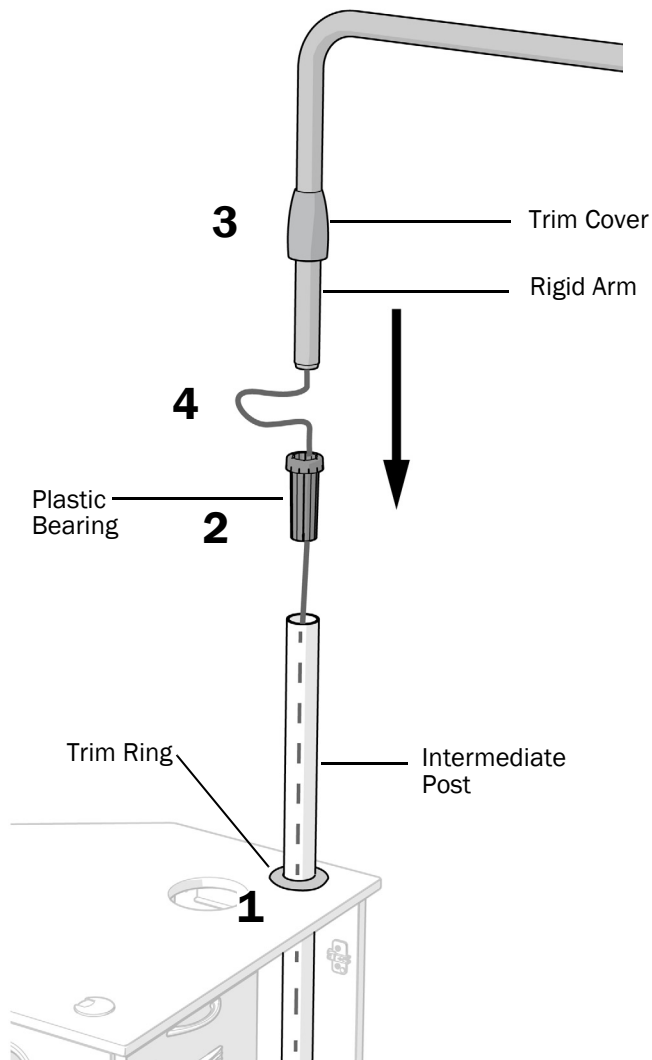


Install the Dental Light Components

Recommended Tool

- Umbilical snake

Task 1.



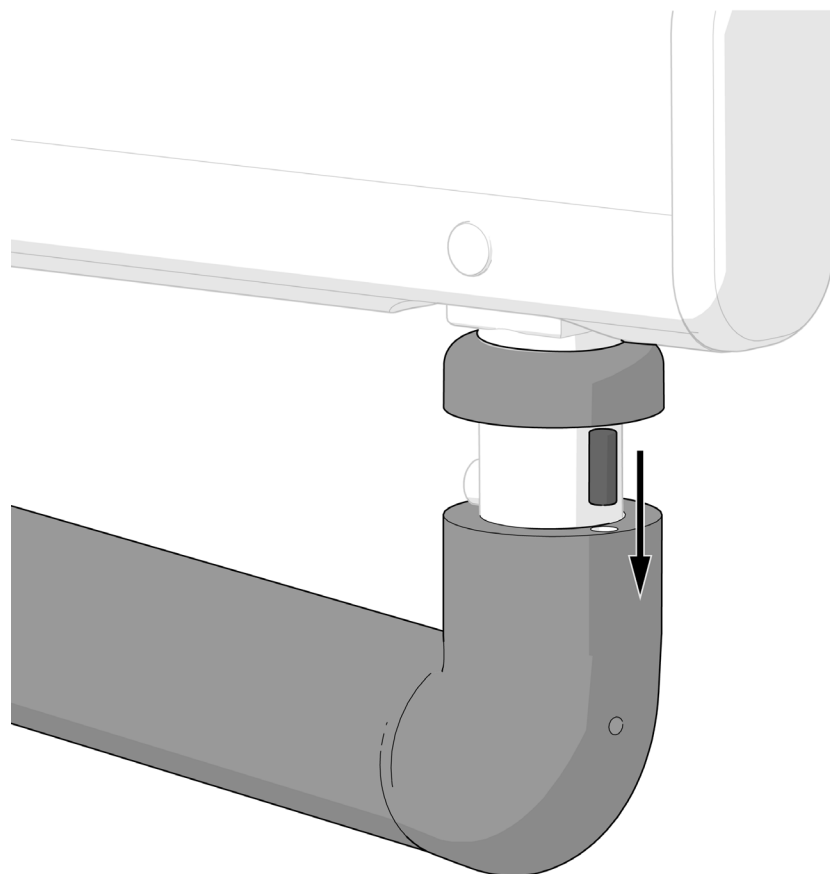
- 1 Install the trim ring on the intermediate post, and slide it down to the countertop.



NOTE Install the trim ring before the rest of the light components. It can't be installed with the other components installed.

- 2 Insert the plastic bearing into the intermediate post.
- 3 Place the trim cover on the rigid arm.
- 4 Route the light cable through the rigid arm, down the intermediate post, to the base of the cabinet, and out of the cutout in the back of the post.
- 5 Insert the rigid arm/flexarm assembly into the intermediate post.

Task 2.



- 1** Position the light over the cabinet countertop.
- 2** Insert the rotation stop pin in the hole on the outside of the rigid arm.

Connect the Wires and Data Lines



CAUTION To avoid damaging or disconnecting wires and tubing, don't connect anything until all of the system's modules are installed.

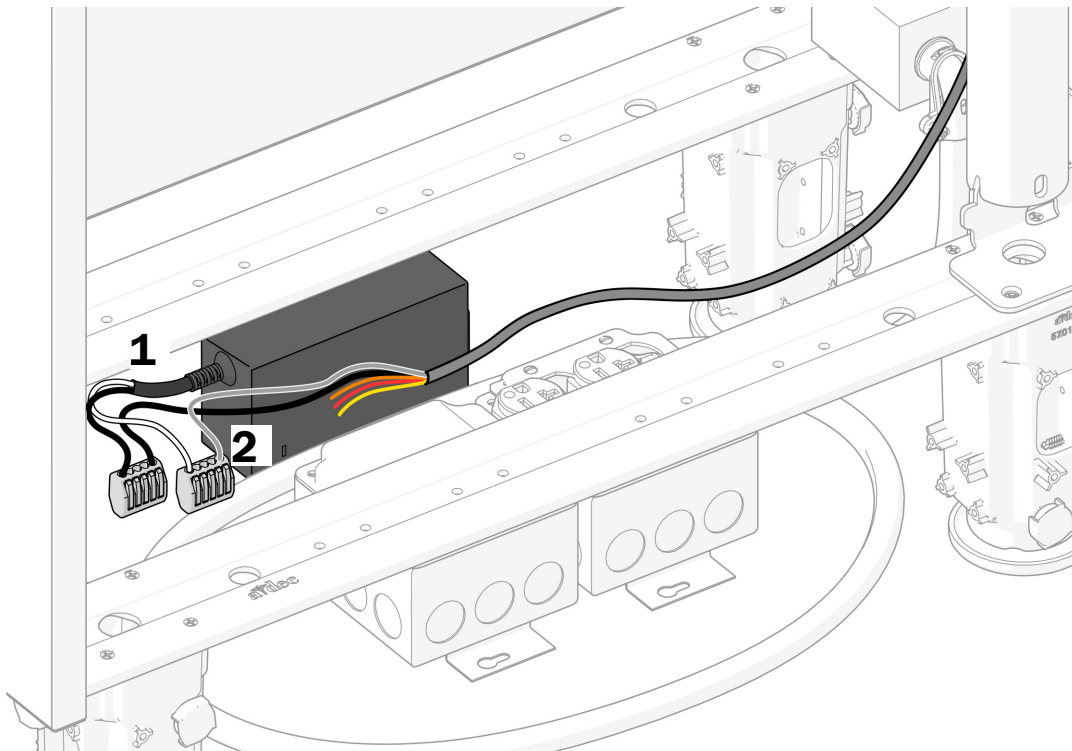


ATTENTION Circuit boards are sensitive to static electricity. Electrostatic Discharge (ESD) precautions are required when touching a circuit board or making connections to or from the circuit board. Circuit boards should be installed only by an electrician or qualified service person.

Recommended Tool

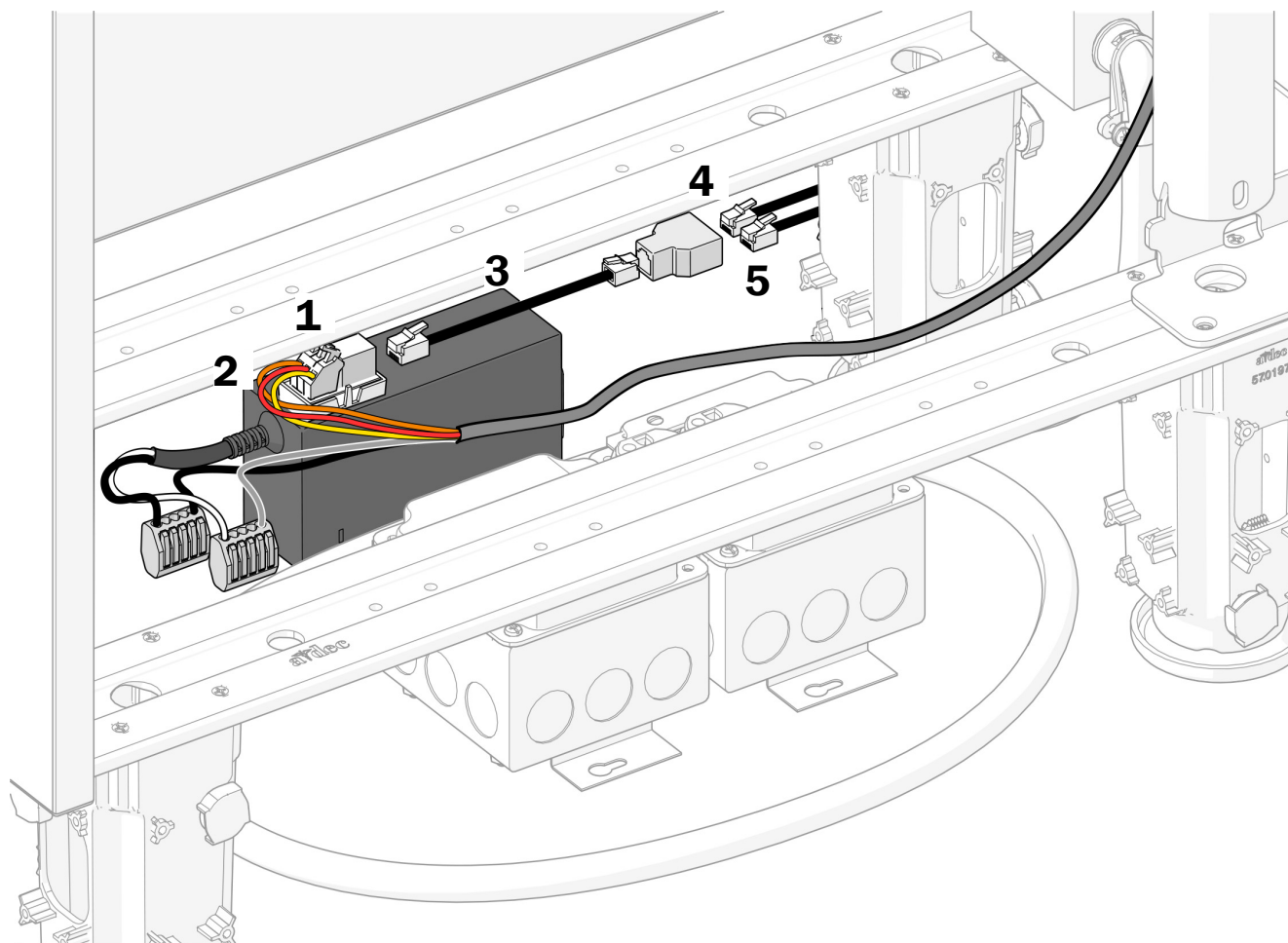
- 5/32" hex key

Task 1.



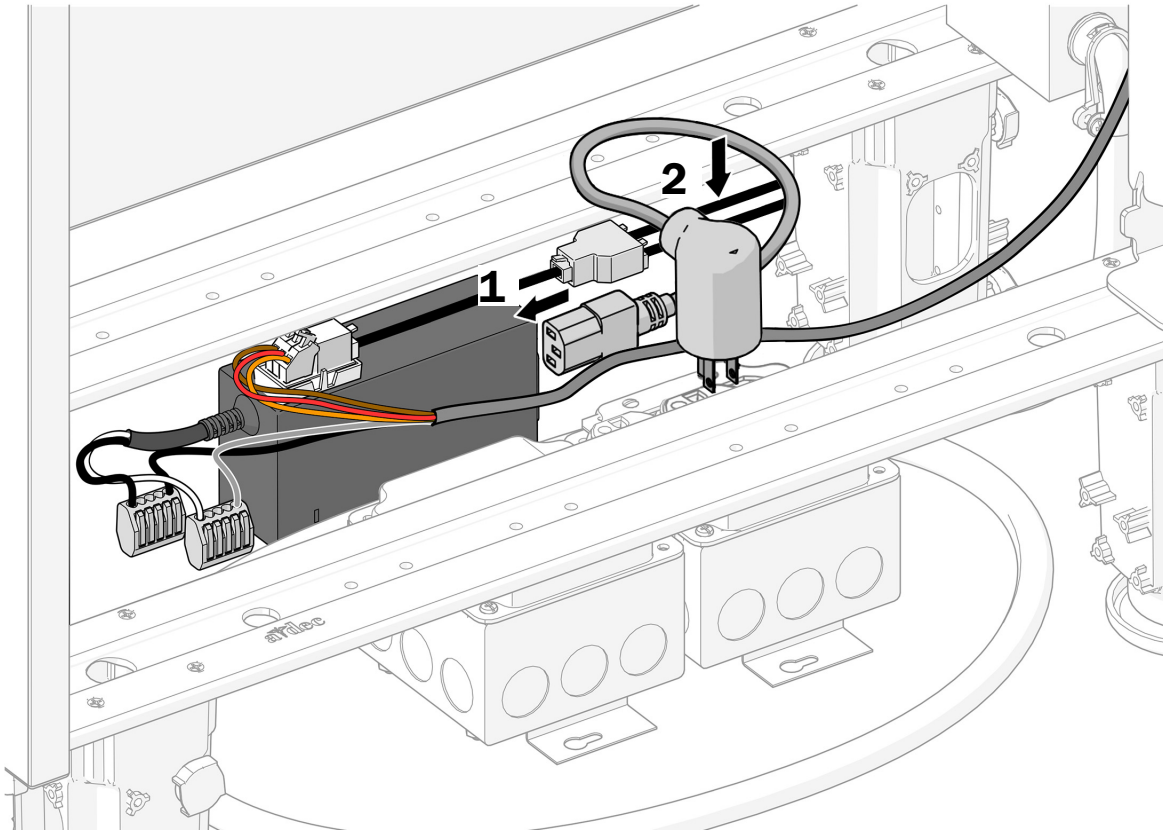
- 1** Connect electrical connectors to the black and the gray power wires coming from the power brick.
- 2** Match and connect the black and the gray power wires from the light cable to the electrical connectors.

Task 2.



- 1** Peel off the protective paper from the adaptor board. Attach the adaptor board to the top of the power brick.
- 2** Connect the wires to the positions on the adaptor board as labeled: brown to BRN, red to RED, and orange to ORN.
- 3** Connect one end of the jumper data line to the adaptor board. Connect the other end of the jumper data line to the single port end of the splitter.
- 4** Connect the DCS1 data line from the chair's power supply to one port of the splitter.
- 5** Connect a second DCS1 data line from the delivery system touchpad to the other port on the splitter.

Task 3.



1 Connect the power cord to the power brick.

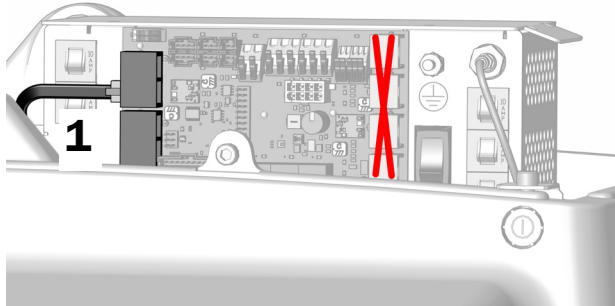
2 Plug in the power cord to an outlet in the junction box.

Connect the DCS1 Data Line to the Power Supply

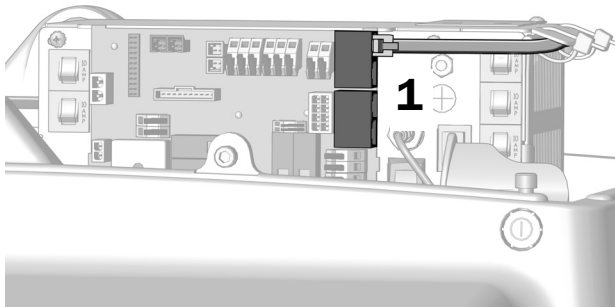
1. Connect the data line from the adaptor board to a data port. See the image for your system's power supply data port location.



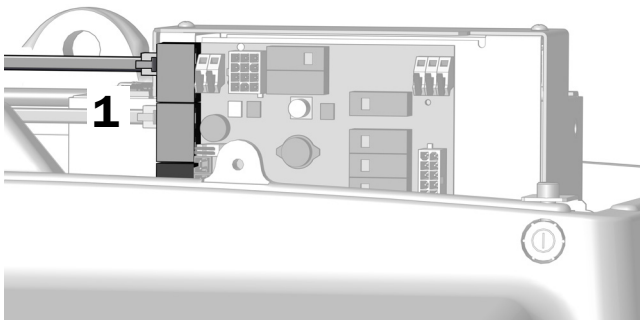
CAUTION Plugging the black DCS1 data line into a DCS2 port toward the toe of the chair can damage the product.



Universal Power Supply



311/411 Power Supply



511 Power Supply

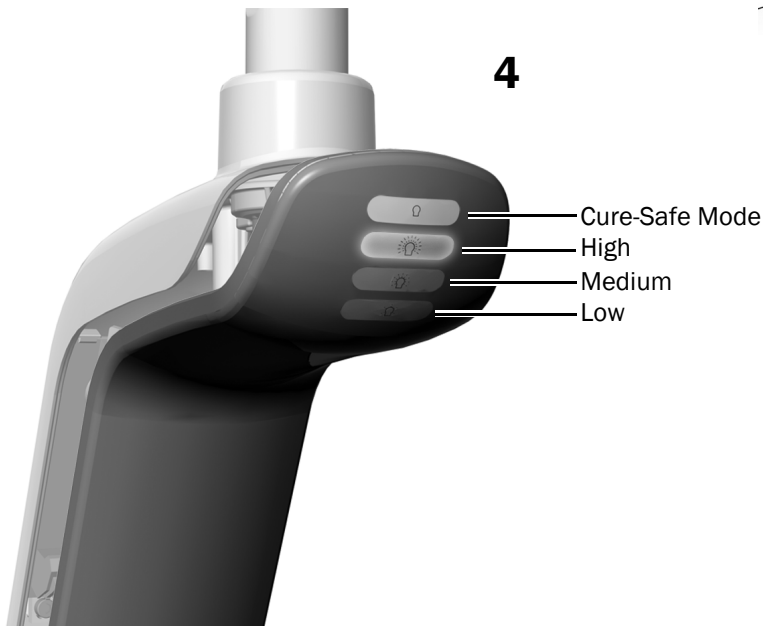
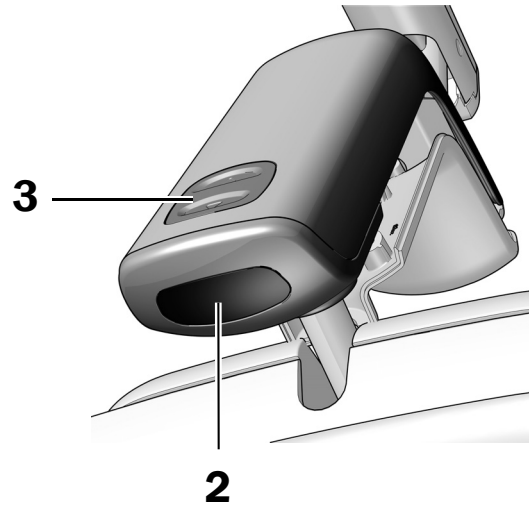
Test the Light

Complete the procedure for the system's configuration.

Test From the A-dec 578L	12
Test From the A-dec 378L	13
Test From the Touch Controls ..	14

Test From the A-dec 578L

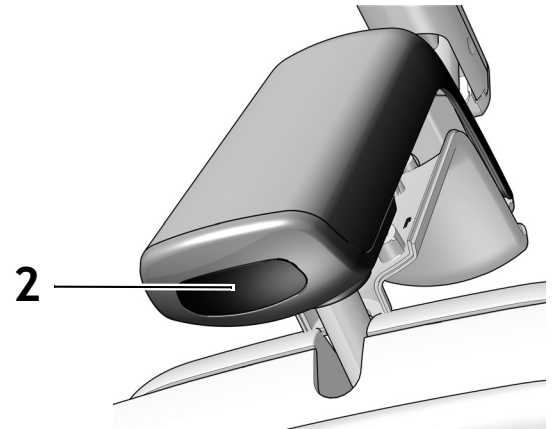
1. Turn on the power to the system.
2. Move your hand within 3" (76 mm) of the touchless on/off sensor to turn on the light.
3. Press the mode button to test the light in each mode.
4. For each mode, verify that the correct light on the driver housing cover is illuminated.
5. If it doesn't work properly, check the wire connections.



Next Step See "Test From the Touch Controls" on page 14.

Test From the A-dec 378L

1. Turn on the power to the system.
2. Move your hand within 3" (76 mm) of the touchless on/off sensor several times to verify the light switches between off and on.
3. If it doesn't work properly, check the wiring connections.



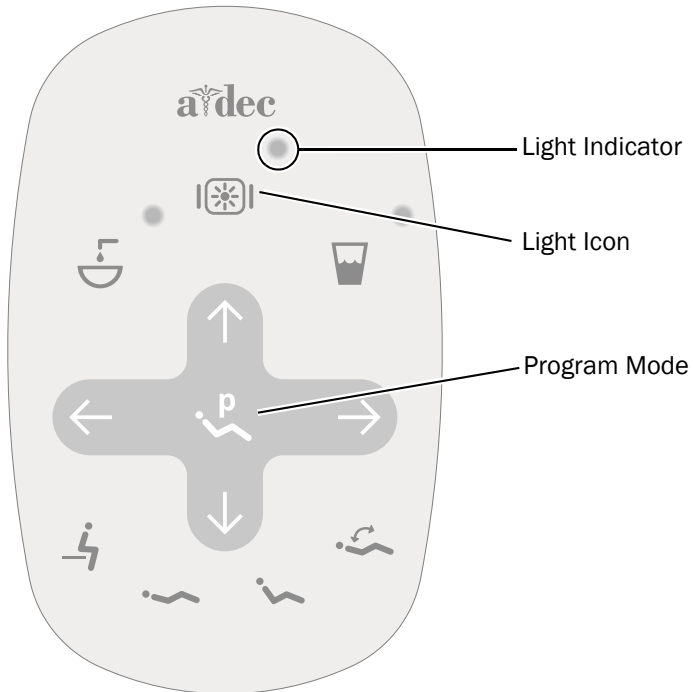
Next Step See "Test From the Touch Controls" on page 14.

Test From the Touch Controls




NOTE Touch control symbols and icons are proprietary to A-dec, Inc.

Standard Touchpad



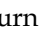


Standard Touchpad

- 1** Turn on the power to the system.
- 2** Press and hold  to verify the light turns on and toggles between the intensity modes: high, medium, low, and cure-safe mode (572L) or high and composite/low mode (372L).



NOTE When the 372L is in the composite/low mode or the 572L is in cure-safe mode, the light indicator on the touchpad flashes.

- 3** Press and hold  to turn off the light.
- 4** Press and hold  and  at the same time until the system beeps to disable or enable the auto on/off function.
 - **One beep** indicates this function is off.
 - **Three beeps** indicate this function is on.

Regulatory Information and Warranty

For required regulatory information and the A-dec warranty, see the *Regulatory Information, Specifications, and Warranty* document (p/n 86.0221.00) available in the Resource Center at www.a-dec.com.



For quick access to this document online, scan, tap, or click this QR code, which points to a-dec.com/regulatory-guide.

All trademarks cited herein are trademarks or registered trademarks of A-dec, Inc. in the United States and may also be trademarks or registered trademarks in other countries.



A-dec Headquarters

2601 Crestview Drive
Newberg, OR 97132 USA
Tel: 1.800.547.1883 Within USA/CAN
Tel: +1.503.538.7478 Outside USA/CAN
www.a-dec.com

A-dec, Inc. makes no warranty of any kind with regard to the content in this document including, but not limited to, the implied warranties of merchantability and fitness for a particular purpose.



86.1090.00 Rev A
Date of Issue 2024-03-25
Copyright 2024 A-dec, Inc.
All rights reserved.
IGrphpor24