

A-dec® WS1.5 Water Control Valve

Product Models and Versions Covered in This Document*

Models	Versions	Description
WS1.5	A	Water Control Valve

*Equipment shown in this document may include optional features or accessories. Some product models, versions, and options in this document may not be available in certain regions.

Before You Begin

Check with local building and code authorities about installation requirements specific to your location.



CAUTION Local regulation may require licensed plumbers and electricians to install the utilities. All plumbing and utilities must conform to prevailing local codes.

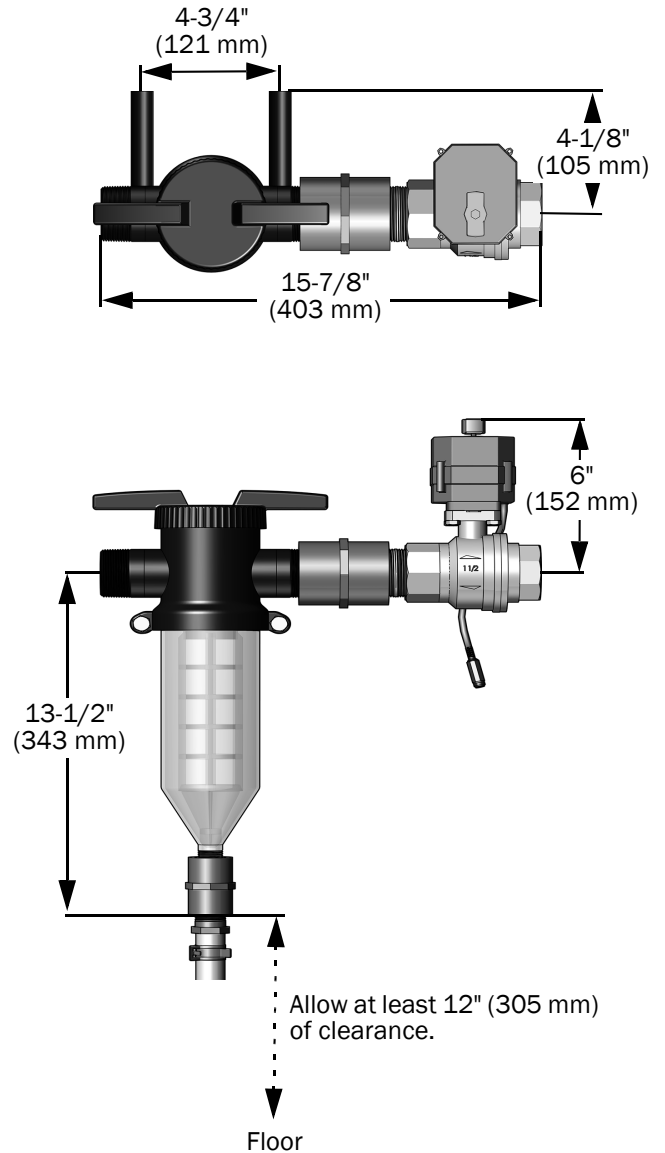
Recommended Tools

- PTFE tape
- Channel lock pliers
- Drill and 15/64" (6 mm) bit
- Ratchet and 3/8" socket
- Torpedo level
- Ruler

Installation Requirements

- A 120 V AC outlet is needed within 5' (2.3 m) of the water control valve.
- A water shut off valve should be installed upstream of the water control valve.
- The filter is rated for a maximum water pressure of 100 psi (6.9 bar). Consult a plumber if your water pressure is outside this range.
- Always install downstream of a pressure tank or pressure regulator.
- Always install upstream of a water heater.
- Install vertically with the flush exit pointing downwards. Allow at least 12" (305 mm) of clearance below the filter to allow the canister to be removed. Also allow space for a bucket if the flush tubing will not be directed to a drain.
- Protect the water control valve and filter from freezing.

Dimensions



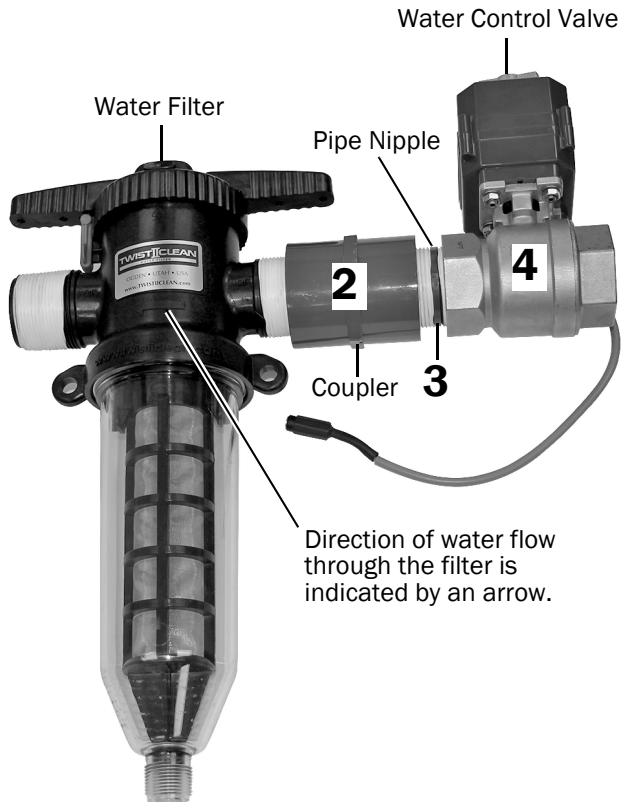
Install the Water Control Valve on the Filter

1. Apply 5 clockwise wraps of PTFE tape to the threads of the water filter and the threaded pipe nipple.
2. Screw the coupler onto the inlet side of the water filter and hand tighten. Use a pair of channel lock pliers to tighten one additional turn.



NOTE The direction of water flow through the filter is indicated by an arrow on the front of the filter.

3. Screw the threaded pipe nipple into the coupler.
4. Screw the outlet end of the water valve onto the threaded pipe nipple.



Mount the Filter on the Wall

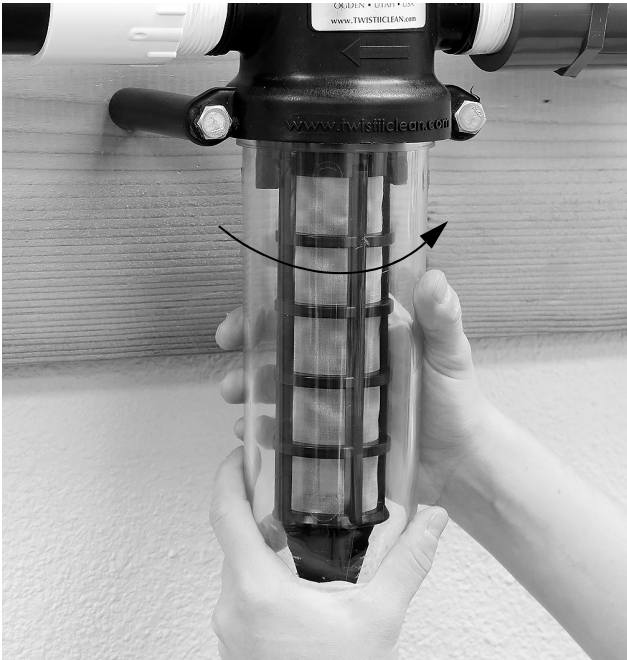
1. Use a level and a ruler to locate and mark the pilot holes for the screws used to mount the filter 4 - 3/4" (121 mm) apart.
2. Use a 15/64" (6 mm) bit to drill pilot holes at the marked locations.
3. Use a ratchet with a 3/8" socket to install the filter on the wall using two 3/8" x 6" hex head lag screws with 4" spacers. Place a level across the spacers to ensure the filter is installed level.





CAUTION Only hand-tighten the filter canister, do not use tools or the canister may crack.

- Turn the filter canister counterclockwise to verify that it is hand tight on the unit.



- Screw the filter flush tubing onto the flush exit at the bottom of the filter canister.



Connect the Water Line Plumbing



CAUTION Local regulation may require licensed plumbers and electricians to install the utilities. All plumbing and utilities must conform to prevailing local codes.

Connect the water line plumbing to the water control valve and filter.

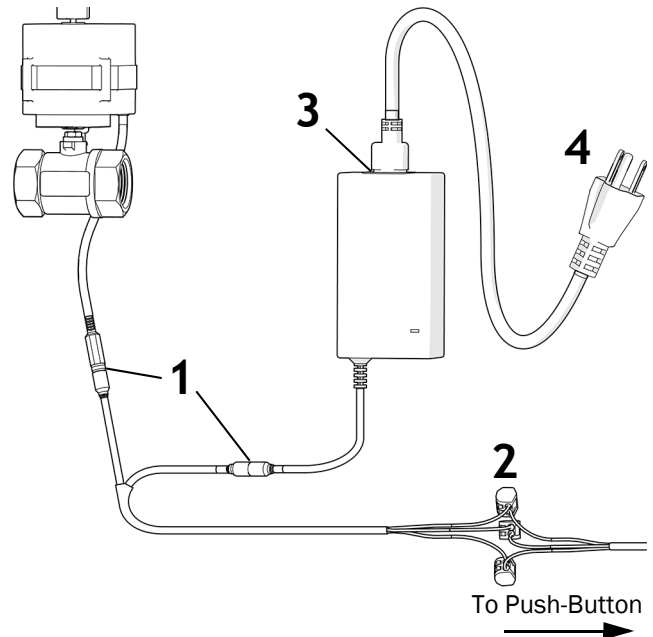
- A manual shut-off valve should be installed in the water line upstream of the water control valve.

Connect the Water Control Valve to Power and a Push-Button Control



NOTE For installation of A-dec LED push-button controls, see the *A-dec LED Push-Button Controls and Remote Monitoring Hub Installation Guide* (p/n 86.1022.00).

- Connect the power connector pigtail to the water control valve and the 24 V DC power supply.
- Connect the low voltage wiring from the push-button control to the wire connectors, matching the wire colors (blue = +24 V, gray = -light, black = run).
- Connect the power supply power cord to the power supply.
- Plug the power supply into a 120 V AC outlet.



Finish the Installation



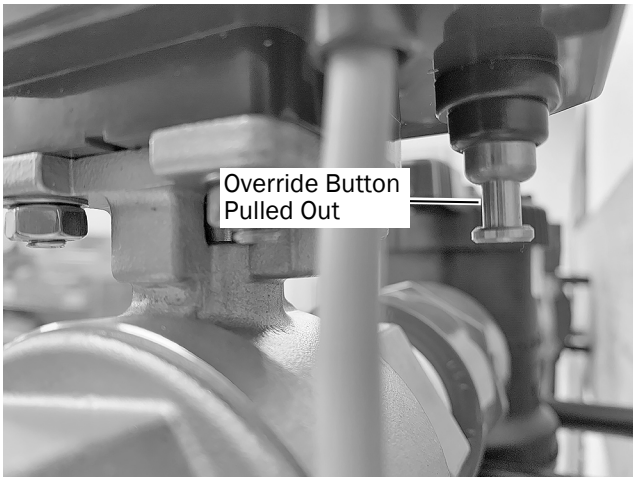
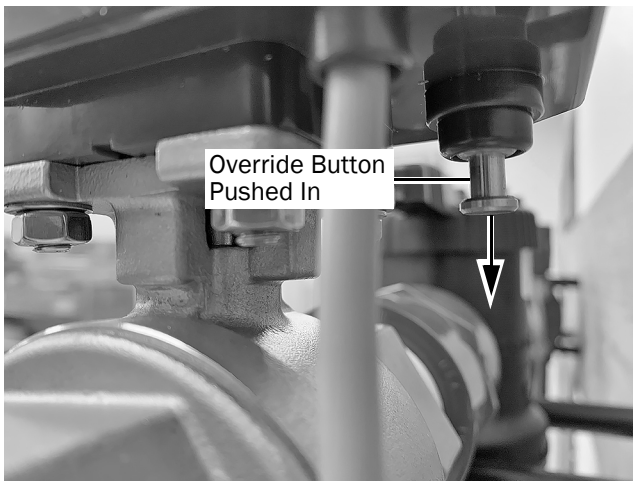
NOTE Additional operating instructions can be found in the *A-dec WS1.5 Water Control Valve Instructions for Use* (p/n 86.1112.00).

Check the Water Control Valve Override Button Position



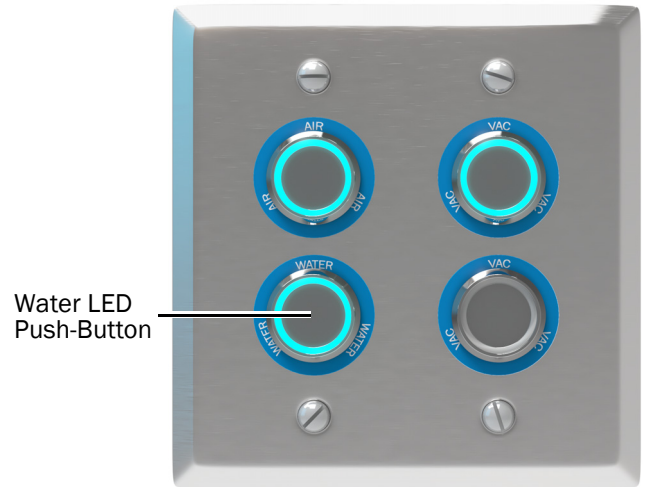
CAUTION If the water control valve override button located at the rear of the valve is pushed in, the valve will not close when power is cut to the valve. This can lead to flooding if any downstream plumbing fails.

1. Ensure the override button on the rear of the water safety valve is pulled out.



Check the System for Leaks

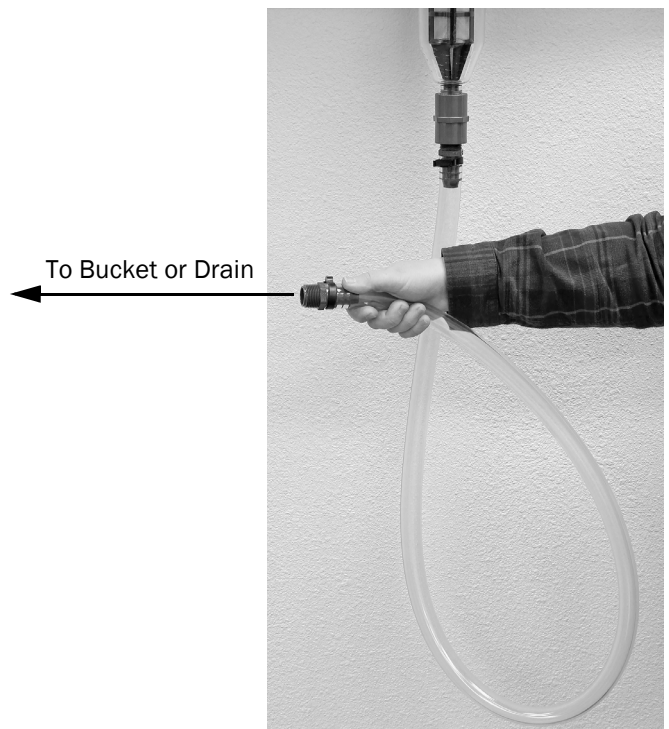
1. Use the water push-button control to open the water control valve. The valve is open when the push-button is illuminated.



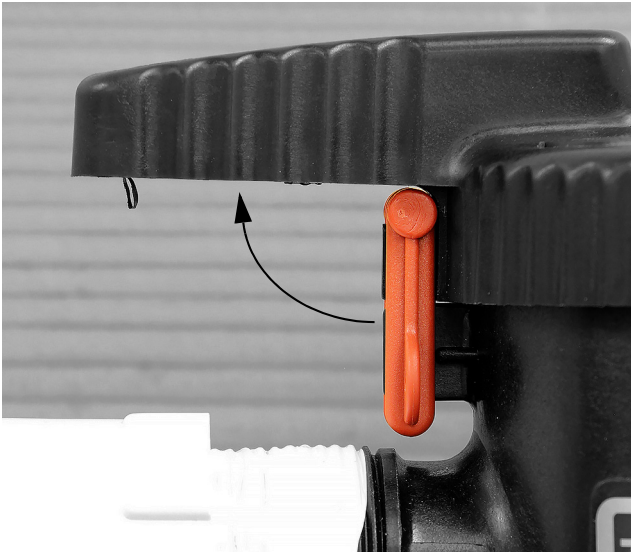
2. Slowly turn on the water supply and check the entire system for leaks.

Test the Filter Flushing

1. Direct the filter flush tubing to a bucket or drain.



2. Raise the red safety latch.



CAUTION Hold the red safety latch up with your thumb when twisting the handles or the latch may break.

3. Keeping the safety latch raised to avoid breaking it, twist the handles clockwise to put the filter in flushing mode with the handles at 90° to the plumbing. The filter element should lift and water should flow out through the flush exit at the bottom of the canister.



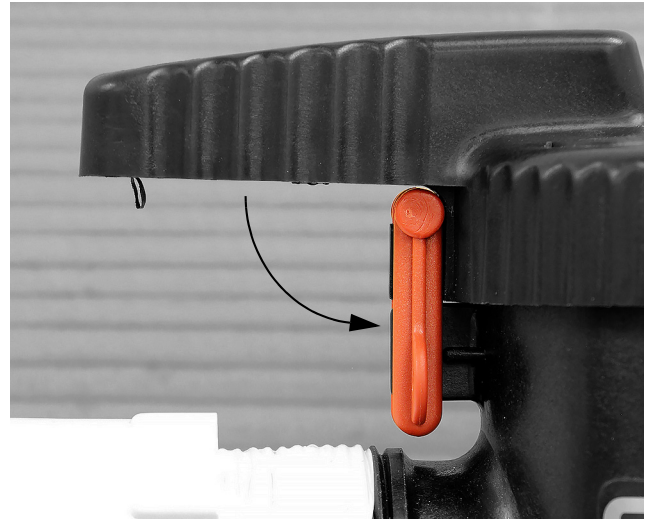


CAUTION Hold the red safety latch up with your thumb when twisting the handles or the latch may break.

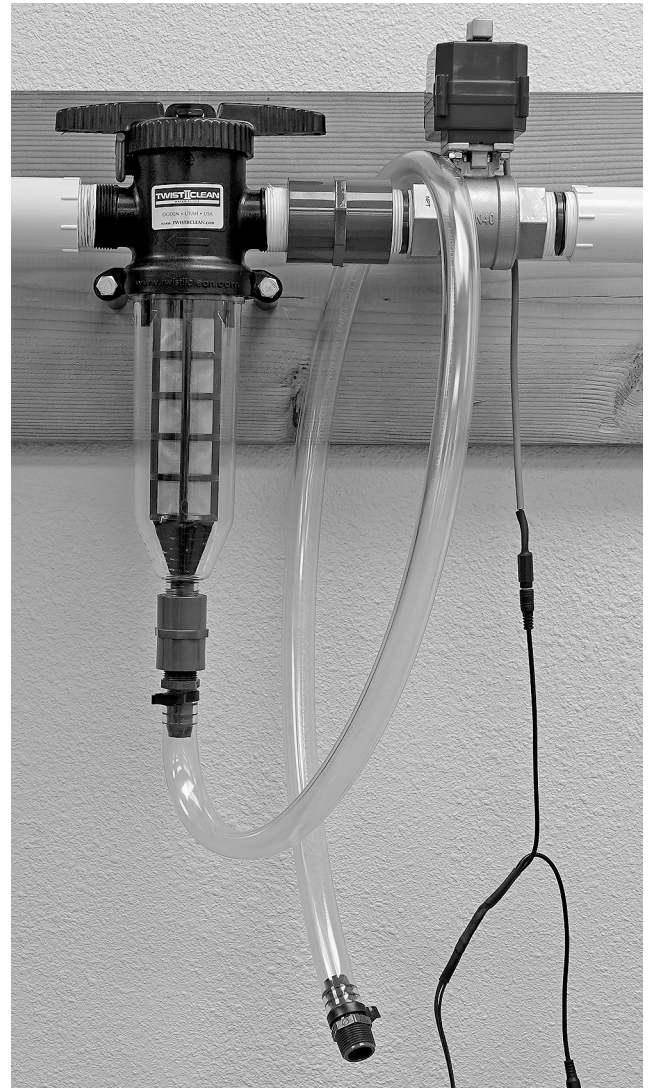
4. After verifying the flushing function, hold the red safety latch up with your thumb to avoid breaking it and twist the handles counterclockwise back to the run position. In the run position, the handles are parallel to the plumbing.



5. Engage the red safety latch.



6. Hang up the filter flush tubing.



Regulatory Information and Warranty

For required regulatory information and the A-dec warranty, see the *Regulatory Information, Specifications, and Warranty* document (p/n 86.0221.00) available in the Resource Center at www.a-dec.com.



For quick access to this document online, scan, tap, or click this QR code, which points to a-dec.com/regulatory-guide.

Twist II Clean is a registered trademark of The Source, Inc. in the United States and may also be a trademark or registered trademark in other countries. All other trademarks cited herein are trademarks or registered trademarks of A-dec, Inc. in the United States and may also be trademarks or registered trademarks in other countries.



A-dec Headquarters

2601 Crestview Drive
Newberg, OR 97132 USA
Tel: 1.800.547.1883 Within USA/CAN
Tel: +1.503.538.7478 Outside USA/CAN
www.a-dec.com

A-dec, Inc. makes no warranty of any kind with regard to the content in this document including, but not limited to, the implied warranties of merchantability and fitness for a particular purpose.



86.1110.00 Rev A
Date of Issue 2024-04-11
Copyright 2024 A-dec, Inc.
All rights reserved.
IGporeven20