

Owner's Guide

CASCADE[®]
1040 VAC
BACK CHAIR

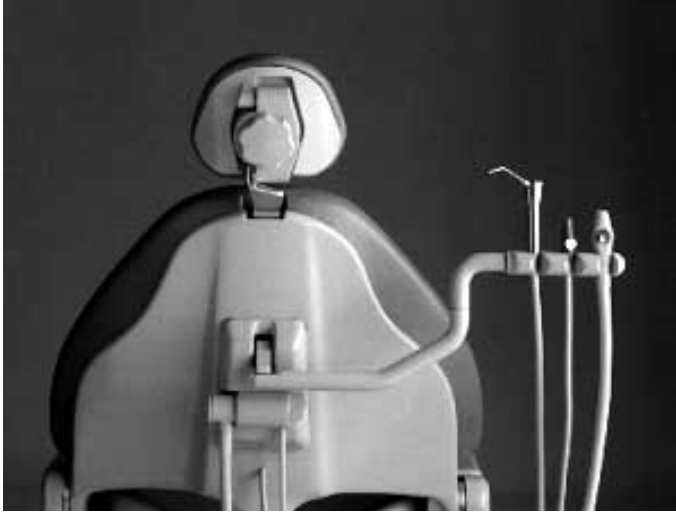
A-dec warrants its products against defects in material or workmanship for one year from time of delivery (except for handpieces which have a warranty period of six months). A-dec's sole obligation under the warranty is to provide parts for the repair, or at its option, to provide the replacement product (excluding labor). The buyer shall have no other remedy. (All special, incidental, and coincidental damages are excluded.) Written notice of breach of warranty must be given to A-dec within the warranty period. The warranty does not cover damage resulting from improper installation or maintenance, accident or misuse. The warranty does not cover damage resulting from the use of cleaning, disinfecting or sterilization chemicals and processes. The warranty also does not cover light bulbs. Failure to follow instructions provided in A-dec's Operation and Maintenance Instructions (Owner's Guide) may void the warranty.

NO OTHER WARRANTIES AS TO
MERCHANTABILITY OR OTHERWISE ARE MADE



All product names used in this document are trademarks or registered trademarks of their respective holders.

Cascade 1040 Vac Back Chair



Cascade 1040 Vac Back Chair

CONTENTS

Operation

About Your Cascade 1040 Vac Back Chair	2
Controls	2
Master On/Off Toggle	2
On/Off Indicator	3
Instruments and Accessories	3
Care Instructions	4
(Refer also to <i>Equipment Asepsis, Publication</i> <i>No. 85-0696-00</i> , in the <i>Asepsis</i> section of your <i>Owner's Guide</i> binder.)	
Instrument Cleaning	5
Adjustments	5
Arm Adjustment	5
Syringe Air and Water Pressure	6

Maintenance

Troubleshooting	8
-----------------------	---

OPERATION

About Your Cascade 1040 Vac Back Chair

Your Vac Back chair is available in two configurations, as part of a delivery system supplied with regulated air and water or in a free standing configuration connected directly to air and water supplies.

The Vac Back is equipped with the following instrumentation: Saliva Ejector, Autoclavable High Volume Evacuator (HVE), and Autoclavable Syringe.

The HVE is connected to a solids collector located on the chair back.

Controls

Master On/Off Toggle (Free Standing Configuration Only)

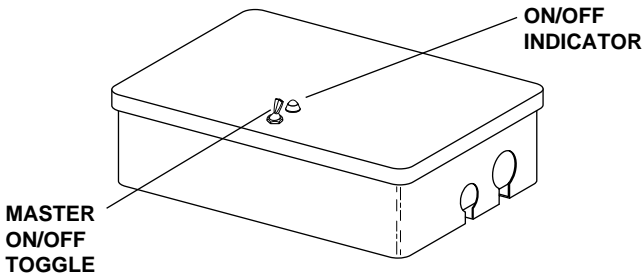


Figure 1. Master On/Off Toggle and Indicator

The Master On/Off toggle controls air and water to the Vac Back chair. The Master On/Off toggle should be in the OFF position whenever the unit is not in use in the event a leak should develop while the system is unattended.

On/Off Indicator (Free Standing Configuration Only)

When the Master On/Off toggle is in the ON position the On/Off Indicator will be red to indicate that the unit is pressurized. (*This is not a lamp; the indicator is operated by air pressure.*)

The Master On/Off toggle and the On/Off Indicator are located on the top of the floor box for free standing configurations only (see Figure 1). For other configurations, the Master On/Off toggle can be found on the delivery system.

Instruments and Accessories

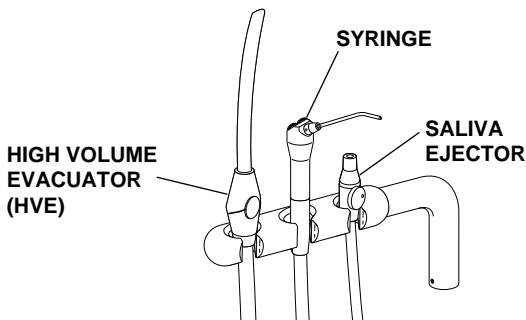


Figure 2. Assistant's Instrumentation

Syringe. The syringe on your Vac Back Chair is A-dec's Autoclavable Syringe.

Refer to **Syringes** (A-dec Publication No. 85-0860-00), in the **Components** section of the **Owner's Guide** binder, for syringe operation and care instructions.

Saliva Ejector. The saliva ejector is equipped with a rotary on/off control and removable rubber tip.

Autoclavable HVE. Your unit is equipped with one (standard) or two (optional) autoclavable HVE(s).

Solids Collector. The solids collector (see Figure 3), located on the chair back, prevents solids from entering the central vacuum system.

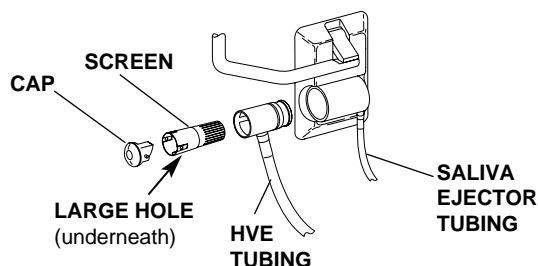


Figure 3. Solids Collector

When installing the solids collector in the chair back, alignment of the screen, cap, and vacuum connector are critical to the proper operation of the solids collector. Align the cap, screen and vacuum connector as shown in Figure 3 before installing the collector in the chair back.

Refer to *Assistant's Instrumentation* (Publication No. 85-2610-00) in the *Assistant's Instrumentation* section of the *Owner's Guide* binder for saliva ejector, Autoclavable HVE, and solids collector operation and care instructions.

Care Instructions

For surface cleaning and disinfecting instructions refer to *Equipment Asepsis* (Publication No. 85-0696-00) in the *Asepsis* section of your *Owner's Guide* binder. This section gives a listing of disinfecting products for your Vac Back unit and all other A-dec products.

Instrument Cleaning

Your A-dec syringe and vacuum instruments were designed for easy cleaning and infection control.

Refer to **Assistant's Instrumentation** (Publication No. 85-2610-00) in the **Assistant's Instrumentation** section of your **Owner's Guide** binder for vacuum instrument cleaning instructions.

Refer to **Syringes** (Publication No. 85-680-00) in the **Components** section of your **Owner's Guide** binder for syringe cleaning instructions.

Adjustments

For system air and water adjustments, refer to **Floor Boxes** (Publication No. 85-2611-00) in the **Utilities** section of your **Owner's Guide** binder.

Arm Adjustment

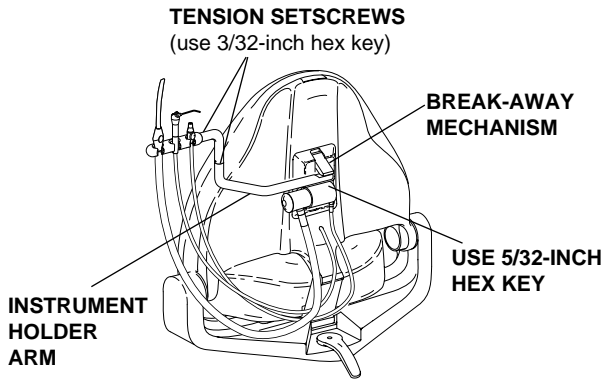


Figure 4. Arm Adjustment

If the instrument holder arm on your chair starts to droop when all the instruments are in place, or if the arm swings too freely, and adjustment is necessary.

To adjust the arm, lift the arm up and use a 5/32-inch hex key to tighten the break-away mechanism screws (see Figure 4).

To adjust the tension at the joints of the instrument holder arm, use a 3/32-inch hex key, turning clockwise (in) to increase tension and counterclockwise (out) to reduce tension (see Figure 4).

Syringe Air and Water Pressure

Syringe air and water flow are controlled by two pinch valves in the chair back. Remove the chair back upholstery to access the valves.

To remove the backrest upholstery (see Figure 5), stand behind the chair backrest and firmly grasp the bottom edge of the cushion. Pull the cushion towards the headrest approximately one inch to release the four flat head fasteners from the cushion key slots.

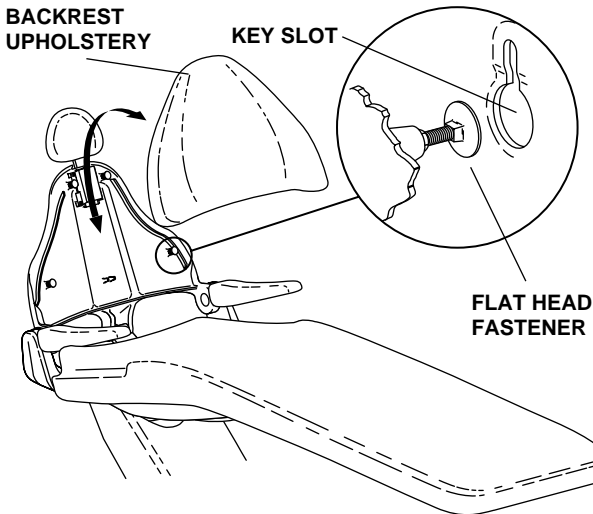


Figure 5. Removing the Backrest Upholstery

Be sure you have air and water pressure to the syringe, then adjust the water flow first. Press the left button and adjust the water pinch valve (see Figure 6) in to decrease flow or out to increase flow. A strong water flow is recommended.

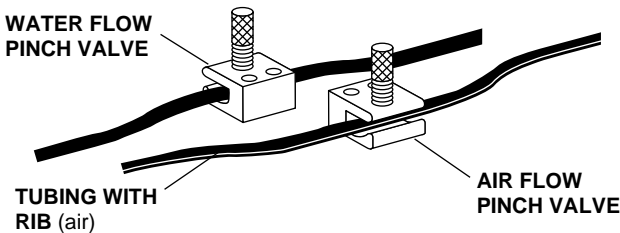


Figure 6. Syringe Pinch Valves

Push both buttons (the spray position) and adjust the air pinch valve (see Figure 6) to achieve the desired spray.

To install the backrest upholstery, position the cushion with the four flat head fasteners in the cushion keyhole pockets, then push inward and down in one motion to lock the cushion in place.

MAINTENANCE

Troubleshooting

Given proper care, your Vac Back Chair will provide years of reliable service. In the event that something does go wrong with the unit, this troubleshooting guide will tell you what to do before calling to have it serviced.

This guide is not intended to isolate every problem that could arise. Rather it is designed so that you can quickly identify the problems that can be repaired without special training or equipment.

If the following procedures do not identify and correct the problem, then you should call your authorized A-dec dealer. Any time you call your dealer, be prepared to provide them with this information:

1. Model number*
2. Serial number*
3. Symptoms of the problem
4. What actions you have taken toward correcting the problem

*The Vac Back Chair model and serial number tag is located under the seat/toeboard, on the right side of the upper structure. In all cases the first four digits on the tag are the model number, the rest of the digits are the serial number.

No Air, No Water from the Syringe

1. Is the Master On/Off Toggle in the ON position?
Yes: Proceed with Step 2.
No: Move the toggle to the ON position and re-test.
2. Is the air compressor ON and operating properly?
Yes: Proceed with Step 3.
No: Correct any problems in the compressor, then re-test the unit.
3. Are the manual air and water shutoff valves in the floor box fully OPEN (turned fully counterclockwise)?
Yes: Look for pinched or crimped tubing between the floor box and the syringe.
No: Turn the valve fully counterclockwise, then re-test the unit.

No Water from the Syringe

1. Is the manual water shutoff valve in the floor box fully OPEN (*refer to the **Utilities** section of your **Owner's Guide** binder*)?
Yes: Proceed with Step 2.
No: Turn the valve fully counterclockwise, then re-test the syringe.
2. Remove and inspect the water filter screen (*refer to the **Utilities** section of your **Owner's Guide** binder*). Is the screen clogged?
Yes: Replace the filter and re-test the syringe.
No: Look for pinched or crimped tubing between the floor box and the syringe.

If these steps fail to correct the problem, call your authorized A-dec dealer for further recommendations.

Inadequate or No Vacuum

1. Is the central vacuum turned ON?

Yes: Proceed with Step 2.

No: Turn on the central vacuum and re-test.

2. Remove and inspect the solids collector screen (*refer to page 4*). Is the screen clogged with debris?

Yes: Clean the screen and re-test.

No: The vacuum supply to the Vac Back chair is clogged, contact your authorized A-dec dealer for assistance.

If the preceding steps failed to correct the problem, contact your authorized A-dec dealer for further recommendations.



2601 Crestview Drive
Newberg, Oregon 97132 U.S.A.
Telephone 1-800-547-1883
(503) 538-7478
Fax (503) 538-0276



Made with 50% waste paper

85-2617-00
08/95 Rev A
[6308]

Printed in U.S.A.
Copyright © 1995
All Rights Reserved