

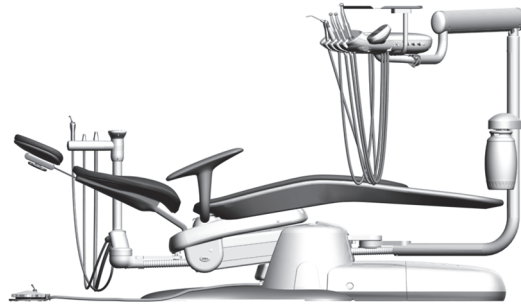


A-dec 300

PRE-INSTALLATION GUIDE



A-dec 311 Chair with Base-Mount System



A-dec 311 Chair with Radius®-Style System

This document contains technical specifications for installing the A-dec 300 equipment line.

Contents

Structural Requirements	2
Utility Requirements	2
Shipping Weights	3
Documentation References	3
Views and Dimensions	4
Plumbing Elevations	4
A-dec 311 Chair with Patient-Adjustable Neck Support Plan View	5
A-dec 311 Chair with Patient-Adjustable Neck Support Plan View with Elevation	6
A-dec 311 Chair with Double-Articulating Headrest Plan View	7
A-dec 311 Chair with Double-Articulating Headrest Plan View with Elevation	8
A-dec 332/333 Radius-Style Delivery System Plan View	9
A-dec 332/333 Radius-Style Delivery System Plan View with Elevation	10
A-dec 351 Radius-Style Assistant’s Instrumentation Plan View	11
A-dec 334/335 Delivery System Plan View	12
A-dec 334/335 Delivery System Plan View with Elevation	13
A-dec 352 Assistant’s Instrumentation Plan View	14
A-dec 311 Chair with 361 Support Center and Cuspidor Plan View	15
A-dec 311 Chair with 361 Support Center and Cuspidor Plan View with Elevation	16
A-dec 571, 571L, and 371 Dental Light Plan View	17
A-dec 571, 571L, and 371 Dental Light Plan View with Elevation	18
A-dec 361 Support Center with Monitor Mount Plan View	19
A-dec 361 Support Center with Monitor Mount Plan View with Elevation	20
A-dec 334/335 Delivery System with Monitor Mount Plan View with Elevation	21
Regulatory Information	22

Structural Requirements



NOTE Job site construction should be completed before dental equipment installation (including finished floors, ceiling, plumbing, lighting, paint, etc.).

Dental Patient Chair Interface Requirement

The dental chair requires a solid, level mounting surface that meets these minimum specifications:

- Weight of 1000 lb (4448 N) for chair, dental light, delivery system, and patient.
- Capability to anchor chair to the floor, with a minimum pullout load of 100 lb (445 N) for one anchor-bolt.

Utility Requirements



CAUTION Local regulation requires licensed plumbers and electricians to install utilities. All plumbing and utilities must conform to prevailing local codes.



CAUTION The manner and method for accessing utilities within the wall is the responsibility of the design team working on the project (dental dealer, architectural services, and contractors). Utilities must be accessible without the use of tools.

Air

- 1/2" (13 mm) nominal pipe compression fitting protruding 2" (51 mm) from finished floor or wall, supplied by contractor.
- Right angle manual shut-off valve supplied by the dental dealer and installed by contractor.
- Air pressure and flow of 80-100 psi (550-860 KPa), 2.5 scfm. (71 sl/min) during normal use; 7.5 scfm (210 sl/min) peak intermittent flow.
- Air plumbing to be flushed clean before final connection to dental equipment.

Water



NOTE The delivery system comes with self-contained water bottle. Municipal water is only required if the equipment configuration includes a cuspidor or if the facility has special requirements.

- 1/2" (13 mm) nominal pipe compression fitting protruding 2" (51 mm) from finished floor or wall, supplied by contractor.
- Right angle manual shut-off valve supplied by the dental dealer and installed by contractor.
- Water pressure and flow of 60 ± 20 psi (410 ± 140 KPa), 1.5 gpm (5.7 l/min), not to exceed 40°C (104°F).
- Water plumbing to be flushed clean before final connection to dental equipment.

Electrical

- 1/2" (13 mm) conduit and box with a hospital-grade quad or equal receptacle supplied by the contractor.
- Wire box to conform to local codes.
- Top of quad box should not be higher than 5" (127 mm) above finished floor for fit within floor box.
- Voltage: 120 volts, 3 wire.
- 110-120 VAC, 50-60 Hz, 10 Amps min.



NOTE The A-dec 311 chair is rated at 10 Amps.

- The 10 Amps break down as follows for 120 VAC @ 60 Hz:
 - 3.5 Amps for the chair pump motor to move the chair base up.
 - 1.0 Amps for the chair back motor to move the chair back up or down.
 - 2.8 Amps for the 300-watt power supply (located in the utility area) to power the chair-mounted dental light and other ancillaries.
 - 2.7 Amps of additional current for mains voltage ancillary products, such as video monitors.

Central Vacuum

- Plumbing up to floor box utility center and its termination point is to be specified by central vacuum supplier (terminates in the utility center).
- Wet systems:
 - Plumbing to terminate with 5/8" (16 mm) O.D. tube protruding 1" perpendicular to the floor.
 - 10 ± 2 in Hg, 9 scfm minimum.

Gravity Drain



NOTE Gravity drains are needed only on systems with a cuspidor.

- 1-1/2" (38 mm) nominal pipe protruding 1" (25 mm) from finished floor. Trap to be placed in line, conforming to local codes, contractor-supplied.
- Floor mount only. Not recommended for wall mount utilities.

Shipping Weights

Product/Box	Est. Shipping Weight
A-dec 311 Chair	210 lb (95 kg)
A-dec 332/333 Delivery System	88 lb (40 kg)
A-dec 334 Delivery System	54 lb (24 kg)
A-dec 335 Delivery System	57 lb (26 kg)
A-dec 361 Support Center	74 lb (34 kg)
A-dec 361 Support Center (w/ cuspidor)	84 lb (34 kg)
A-dec 351 Assistant's Instr. (Radius-Style)	26.5 lb (12 kg)
A-dec 352 Assistant's Instr. (telescoping mount)	15 lb (7 kg)
A-dec 353 Assistant's Instr. (cuspidor mount)	7 lb (3 kg)
A-dec 371 Dental Light	35 lb (17 kg)
A-dec 571/571L Dental Light	35 lb (17 kg)
Monitor Mount (without monitor)	9 lb (4 kg)

Documentation References

Installation Guides:

- A-dec 300 Installation Guide . . . p/n 86.0087.00

Service Guides:

- A-dec 300 Service Guide p/n 85.0818.00
- A-dec 300 Service Guide Supplement p/n 86.0273.00

Instructions for Use:

- A-dec 300 Systems p/n 86.0092.00
- A-dec 311 Chair p/n 86.0093.00
- A-dec 371 Dental Light p/n 86.0220.00
- A-dec 571/6300 Dental Light . . . p/n 86.0612.00
- A-dec LED Dental Light p/n 86.0331.00
- Regulatory and Specifications . . p/n 86.0221.00

Full-Size Templates:



NOTE Use only full-scale templates for locating plumbing and electrical.

- A-dec 300 Radius-Style System Full Line Product p/n 86.0914.00
- A-dec 311 Chair for Radius-Style Systems. p/n 86.0915.00
- A-dec Contoured Floor Box p/n 86.0916.00
- A-dec 300 Base-Mount System Full Line Product p/n 86.0911.00
- A-dec 311 Chair p/n 86.0912.00
- A-dec Unitized Floor Box p/n 86.0913.00



NOTE Floor box mounting hole placements appear on the floor box base that is being installed.

Views and Dimensions



NOTE The dimensional drawings in this section are for reference only. For complete accuracy, use the appropriate full-sized templates.

Plumbing Elevations



CAUTION Due to specific plumbing elevation restrictions, the height and placement of utilities in the contoured floor box can affect the ability to use the power supply cover. Failure to provide adequate space will prevent installation and removal of the power supply cover (see Figure 1). Please reference the appropriate full-size template which includes all of the necessary space constraints.

Figure 1. Contoured Floor Box Cover and Frame / Clearance for the Power Supply Cover

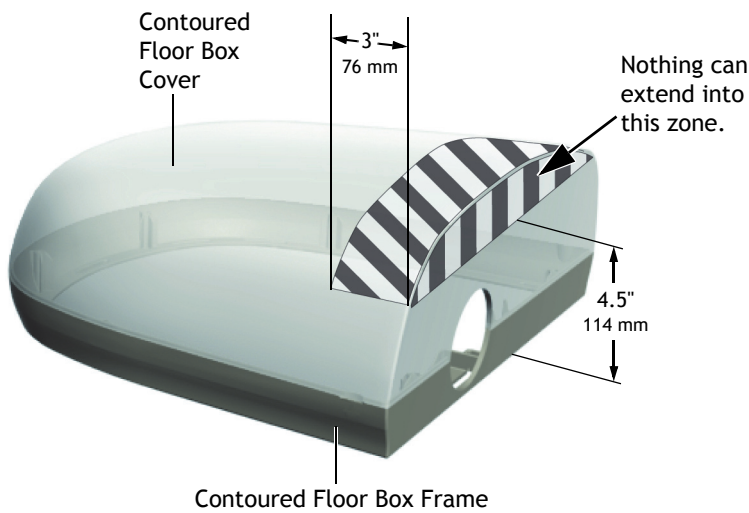
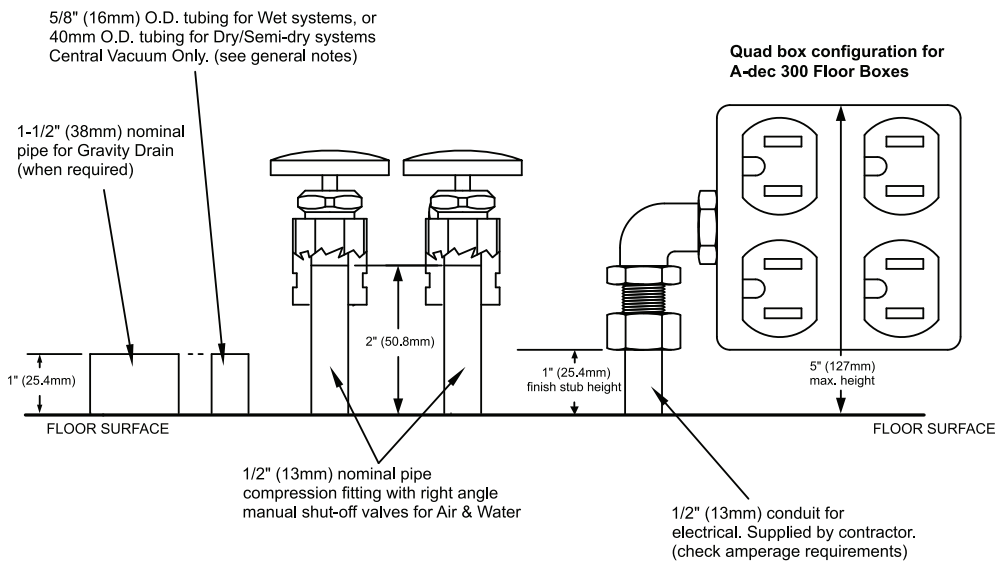


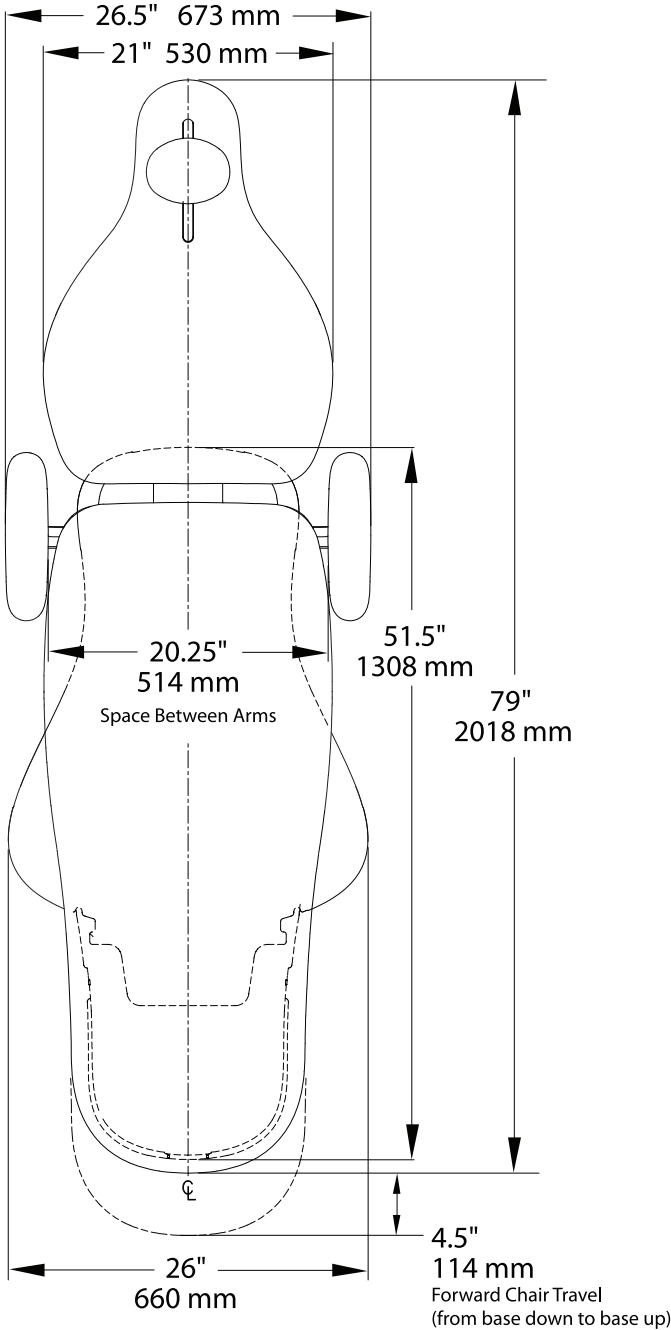
Figure 2. Plumbing Elevations (not to scale)



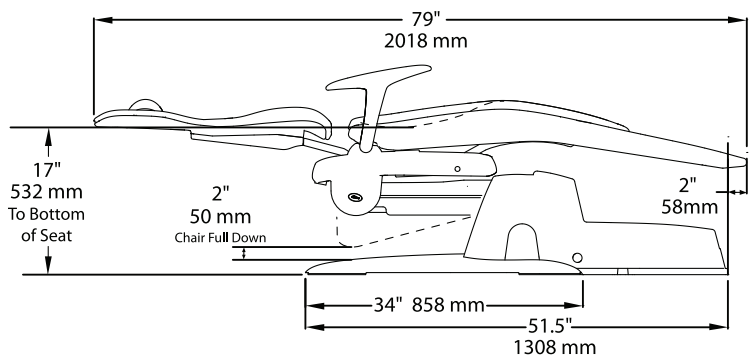
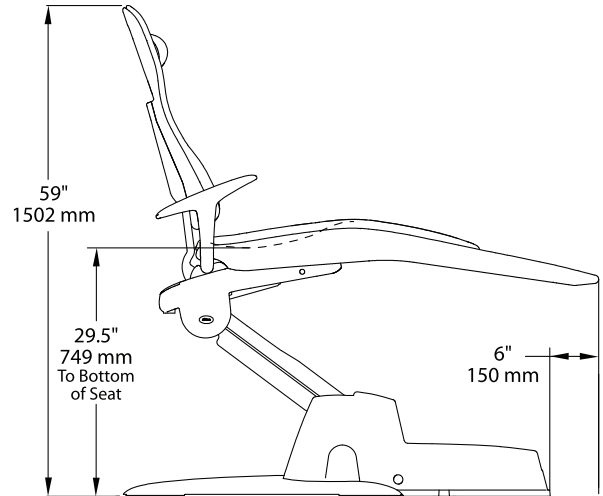
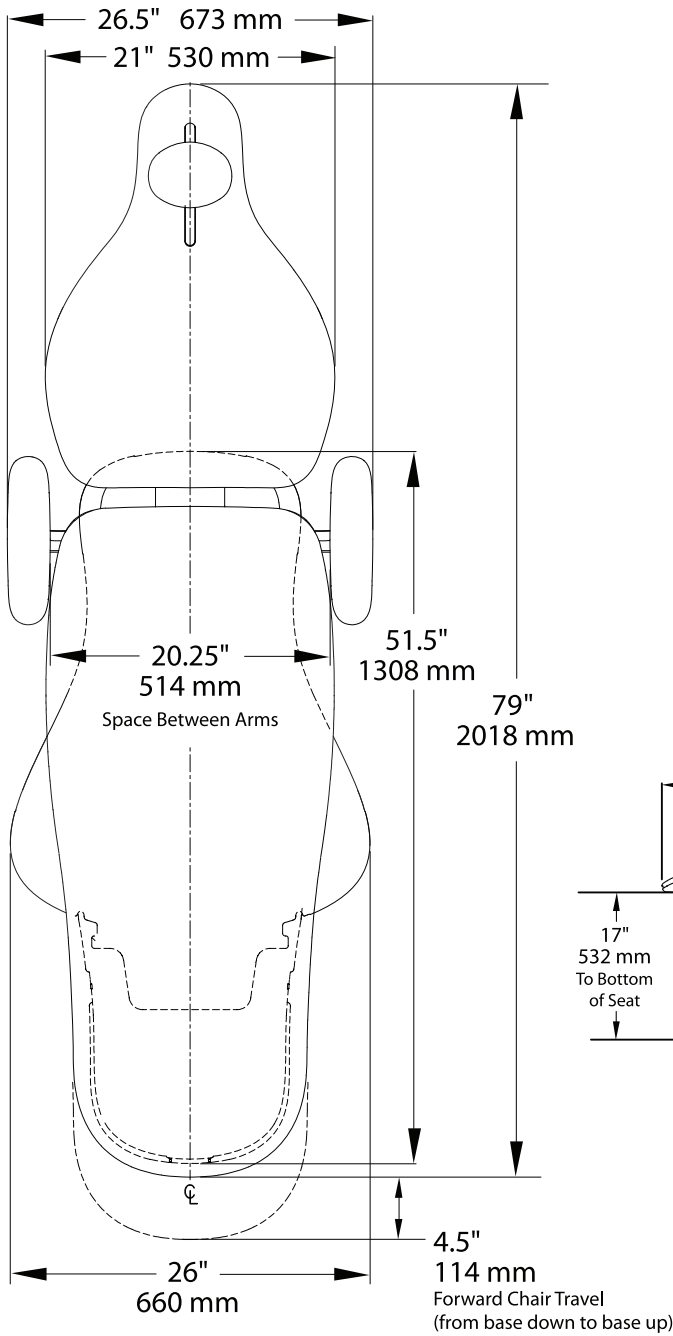
PLEASE NOTE: This drawing is for reference purposes ONLY. It is NOT TO SCALE.

A-dec 311 Chair with Patient-Adjustable Neck Support

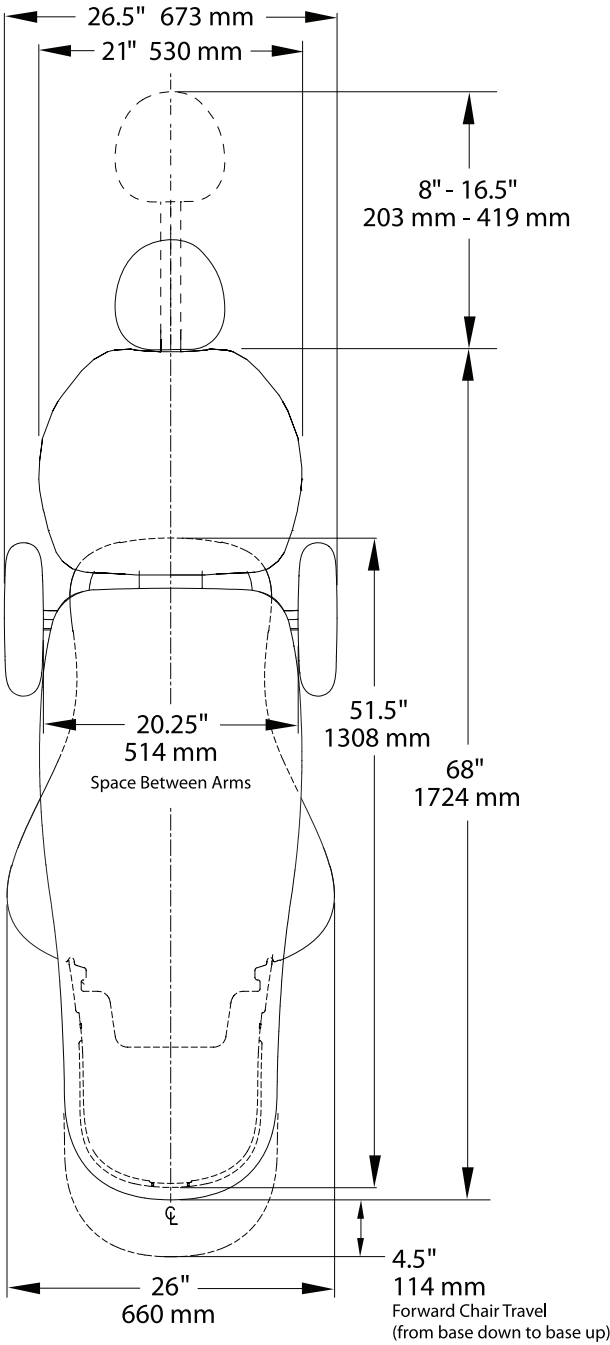
Plan View



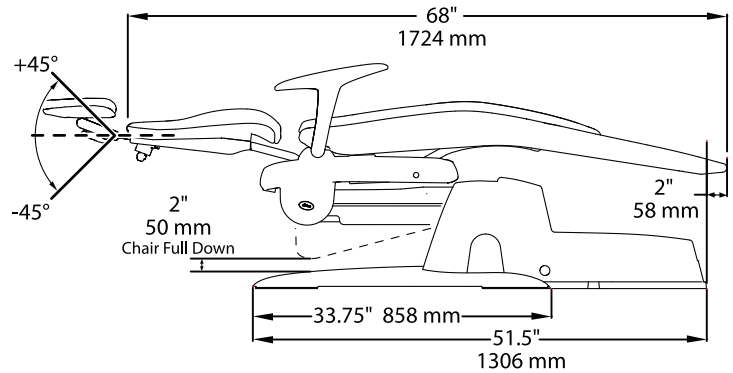
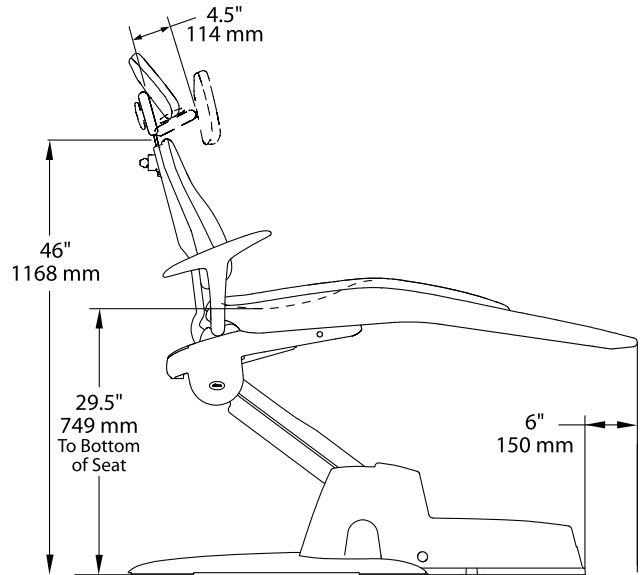
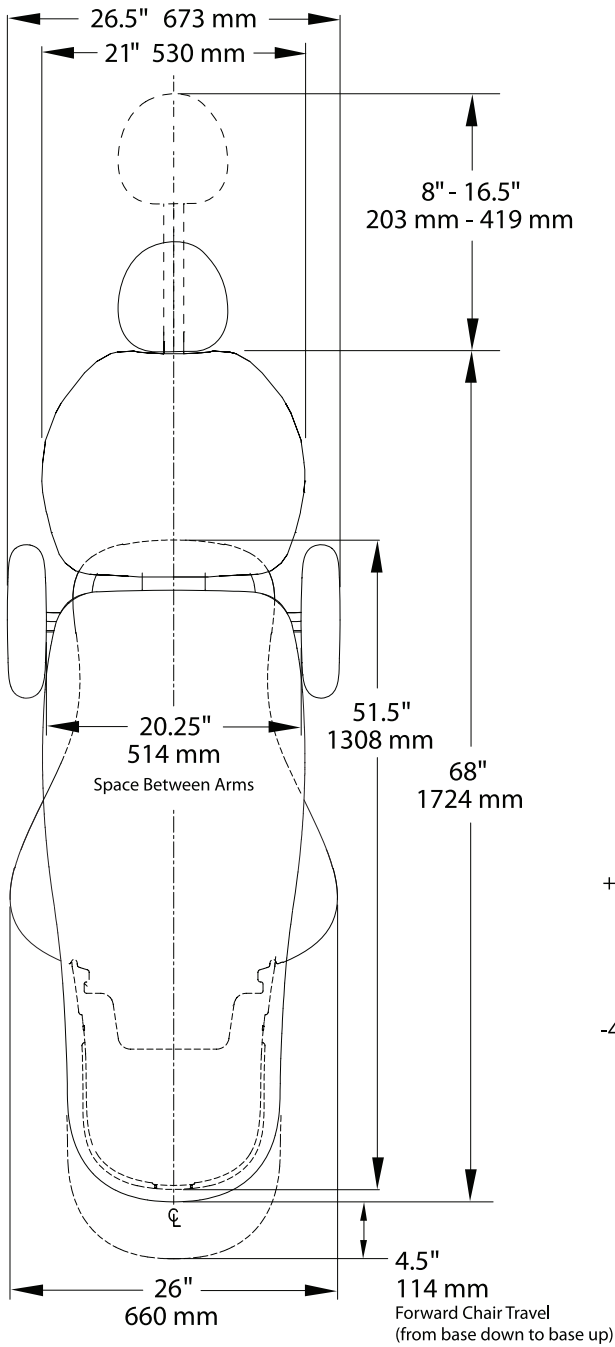
A-dec 311 Chair with Patient-Adjustable Neck Support
Plan View with Elevation



A-dec 311 Chair with Double-Articulating Headrest Plan View



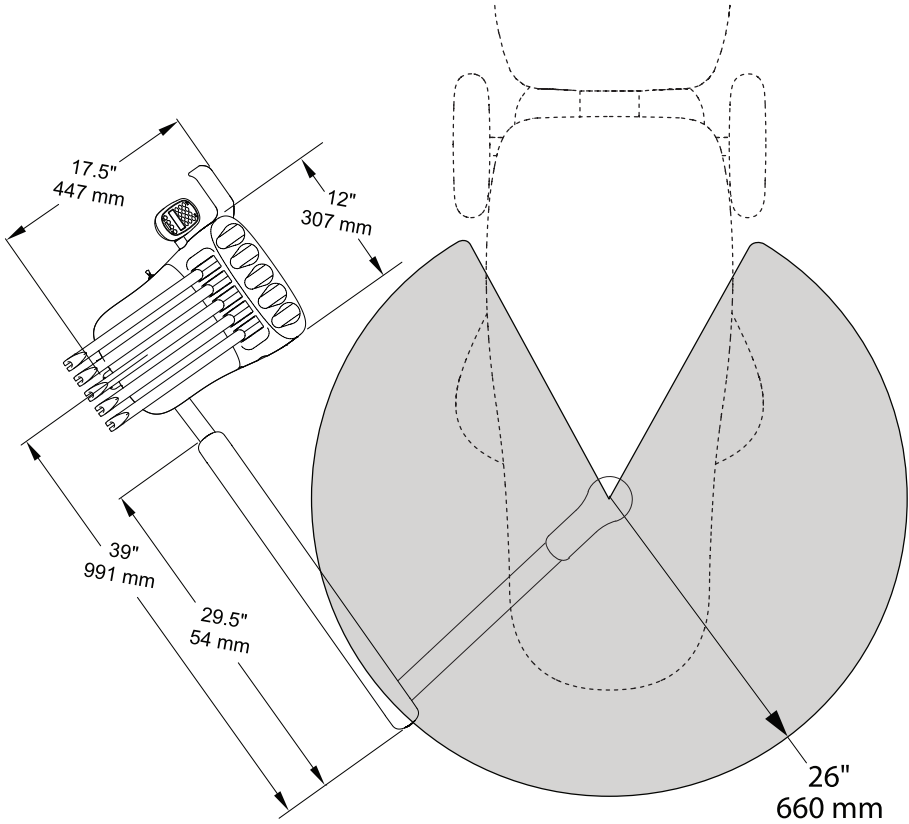
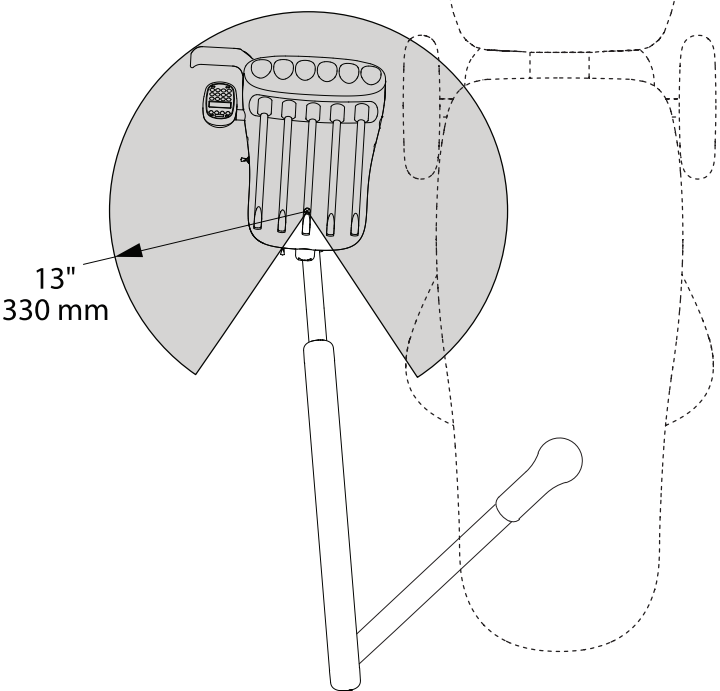
A-dec 311 Chair with Double-Articulating Headrest
Plan View with Elevation



A-dec 332/333 Radius-Style Delivery System

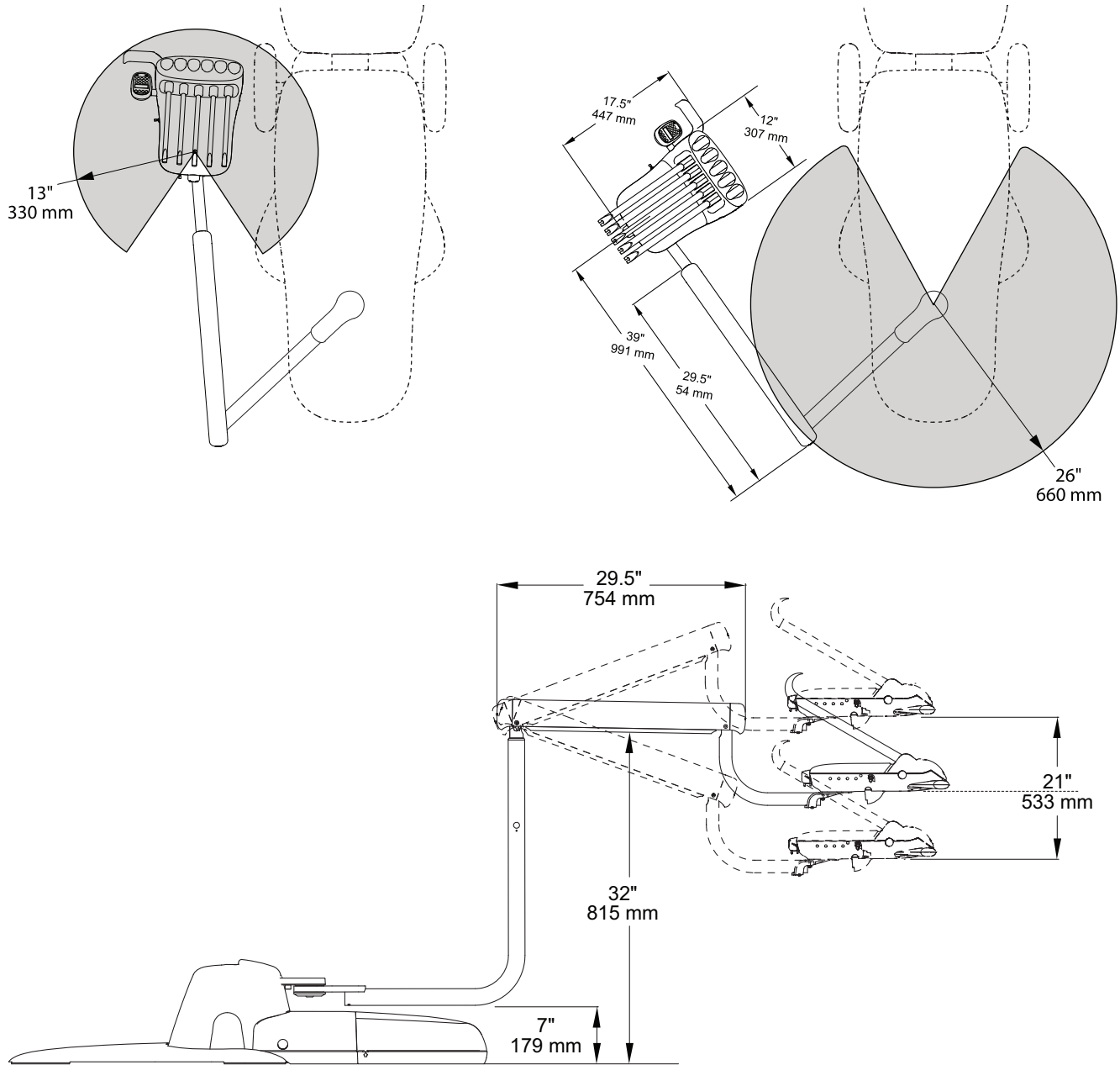
Plan View

(shown with 333 system)

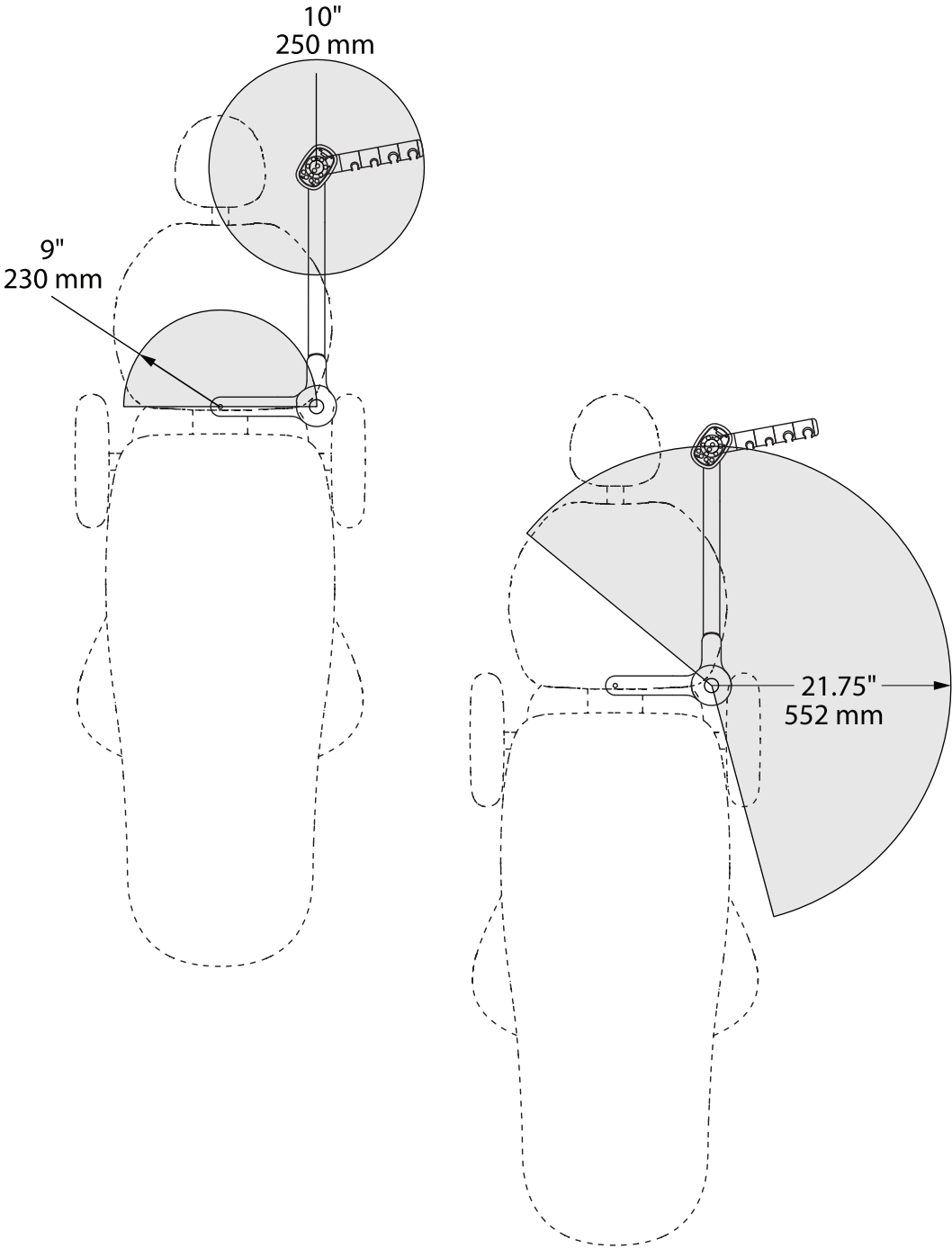


A-dec 332/333 Radius-Style Delivery System Plan View with Elevation

(shown with 333 system)

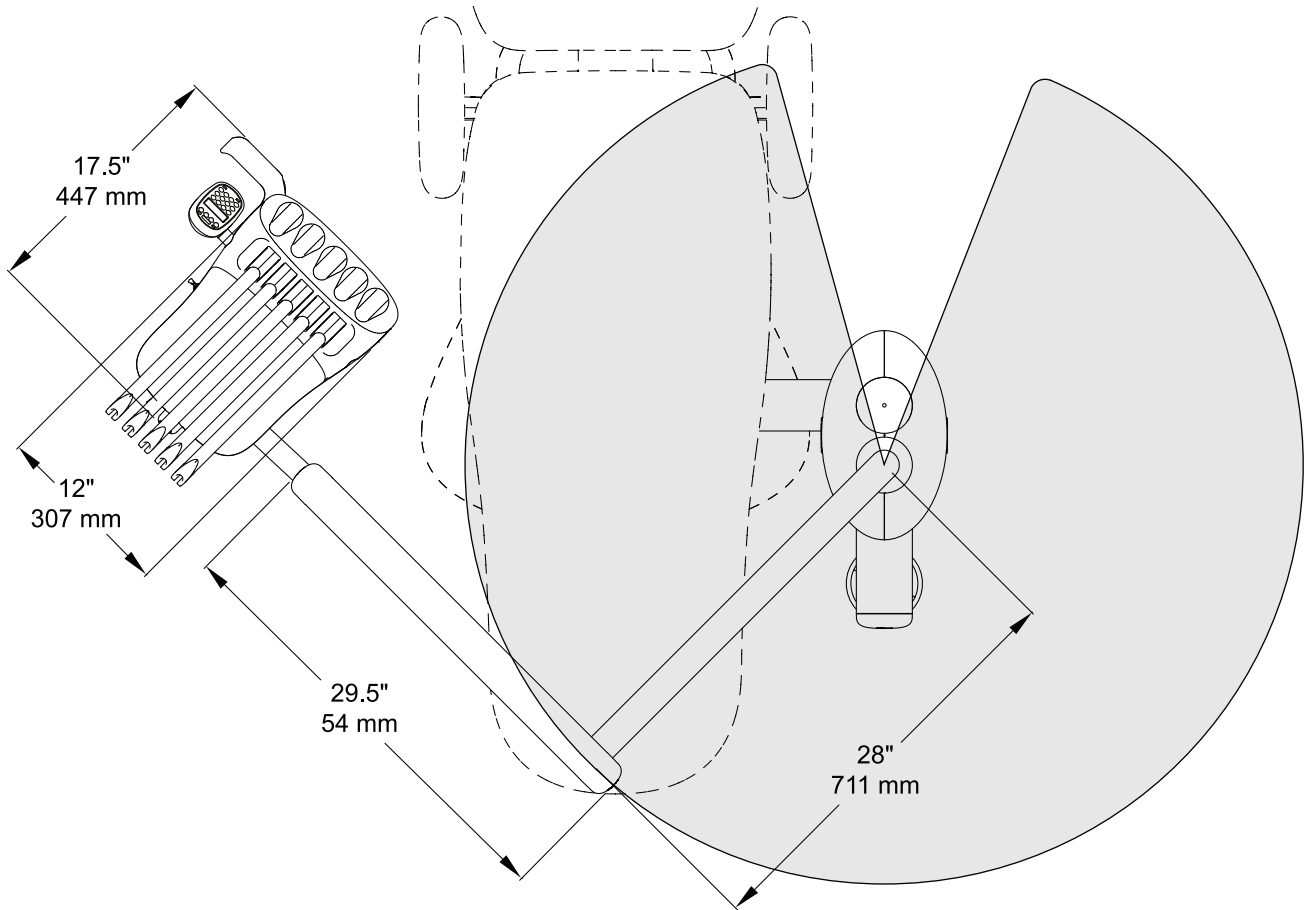


A-dec 351 Radius-Style Assistant's Instrumentation
Plan View



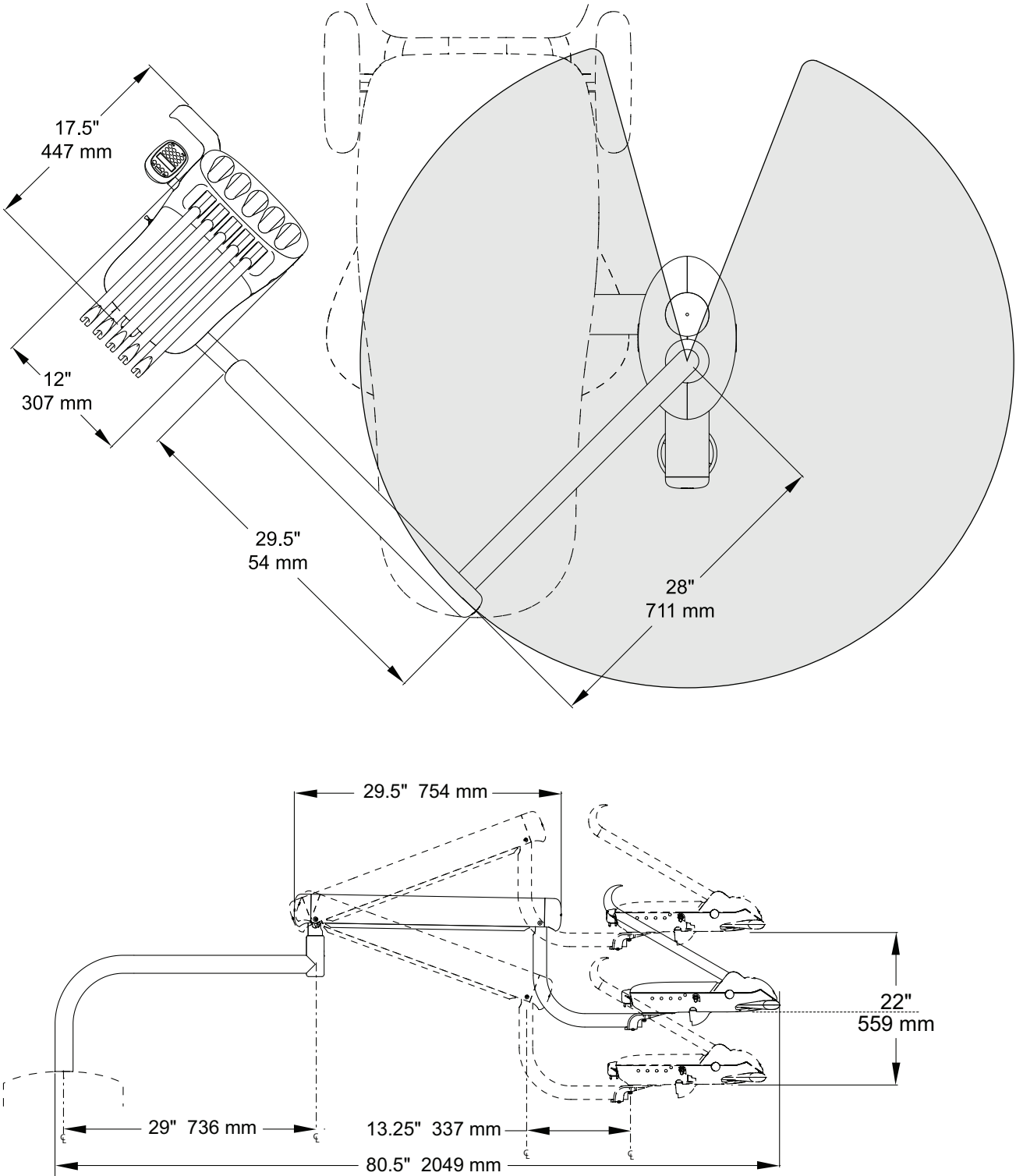
A-dec 334/335 Delivery System Plan View

(shown with 335 system)

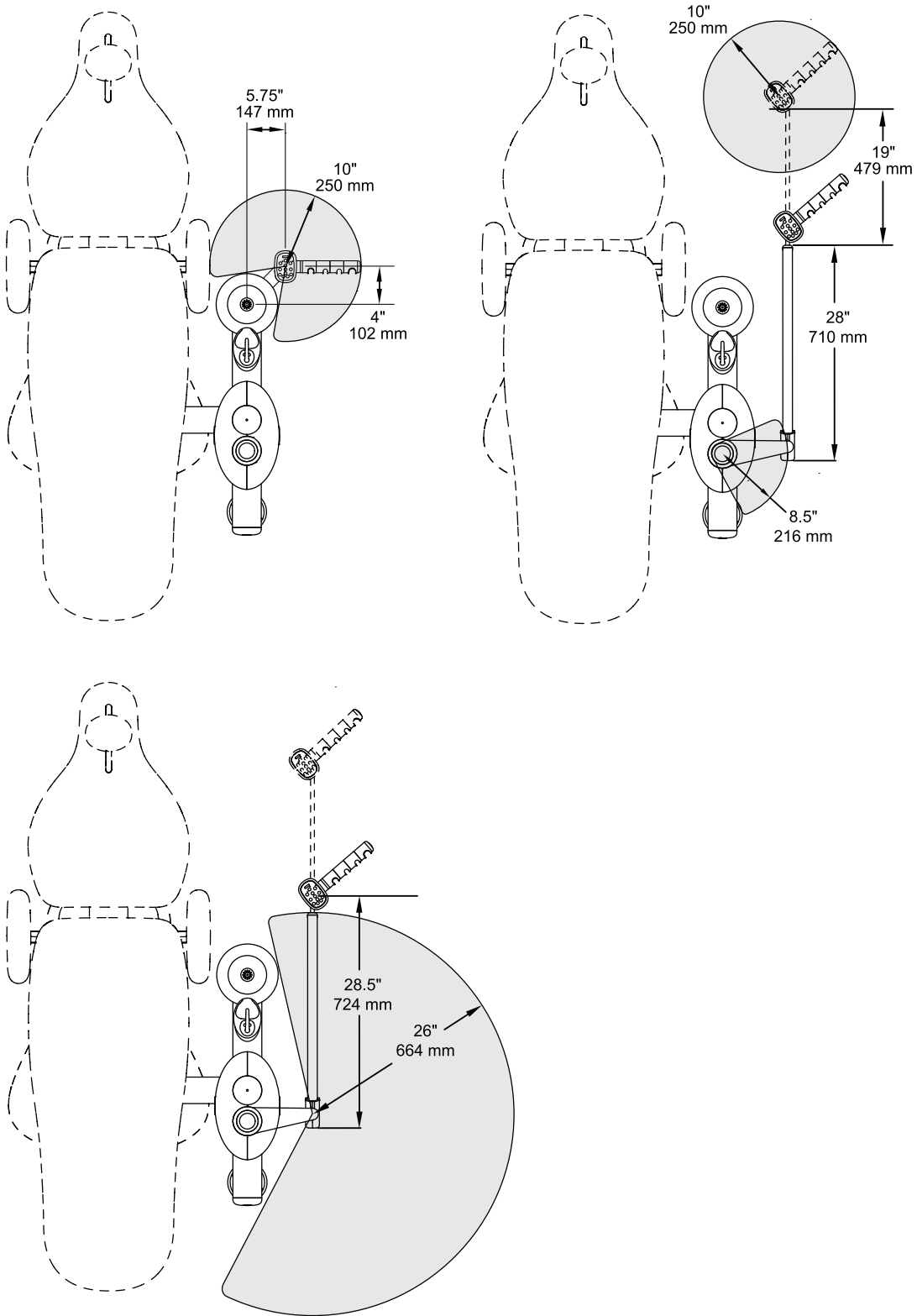


A-dec 334/335 Delivery System Plan View with Elevation

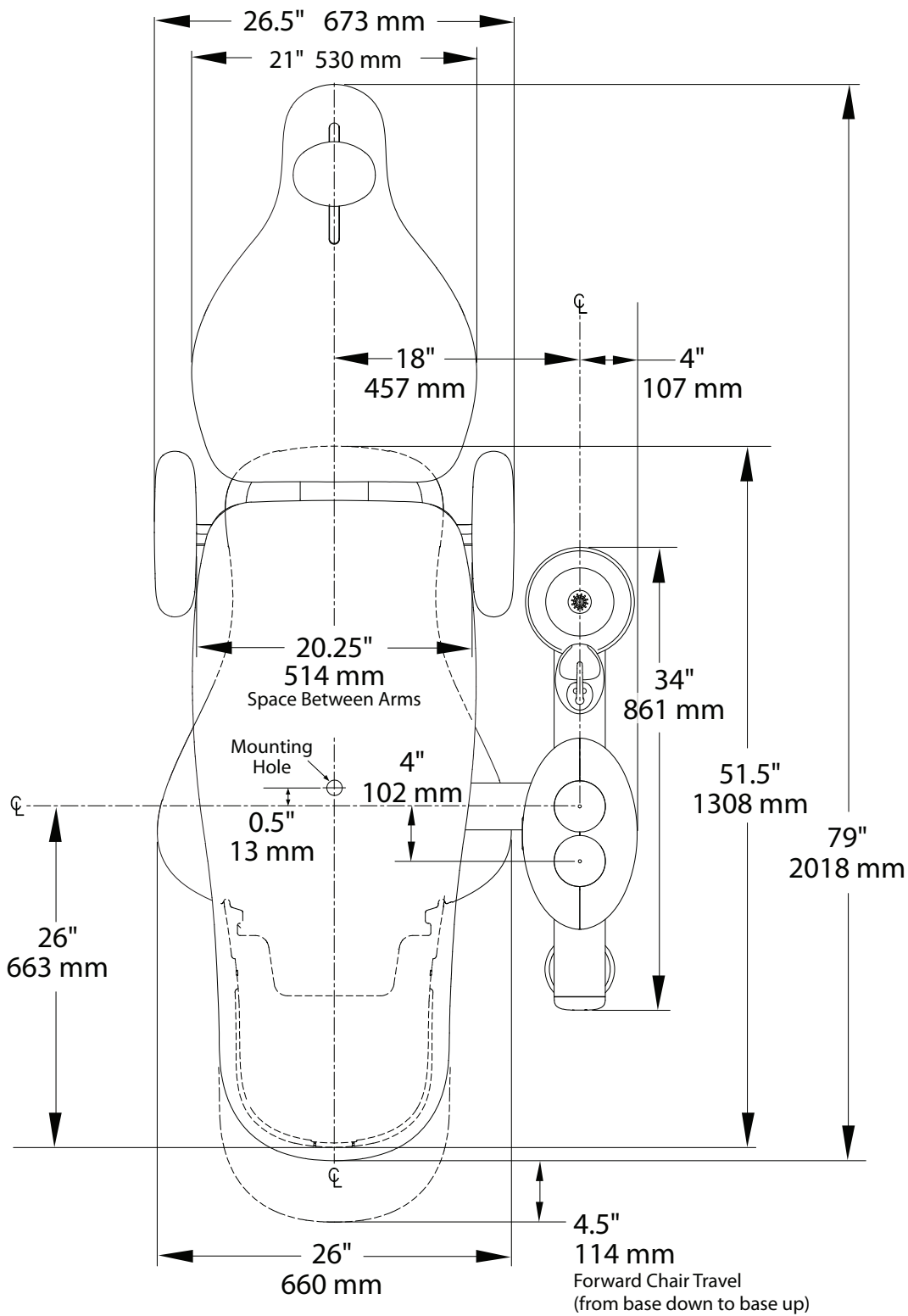
(shown with 335 system)



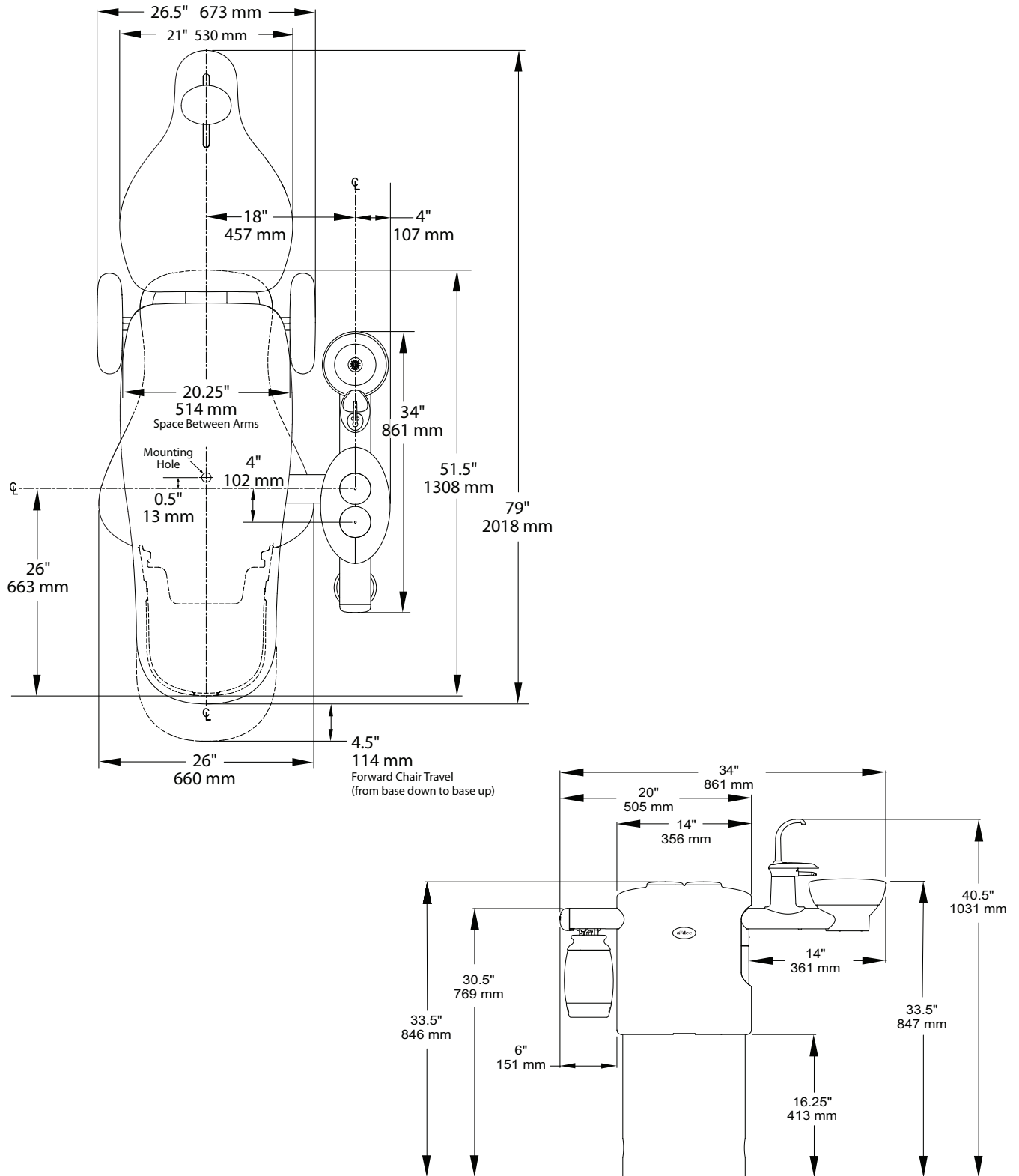
A-dec 352 Assistant's Instrumentation Plan View



A-dec 311 Chair with 361 Support Center and Cuspidor
Plan View

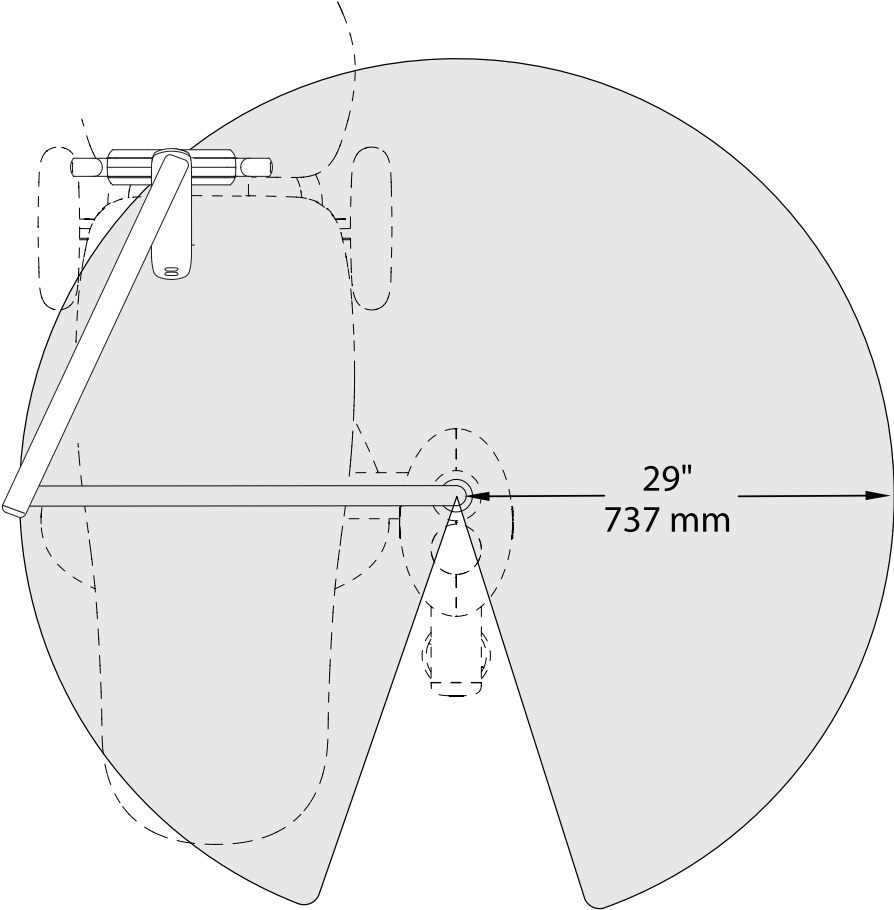


A-dec 311 Chair with 361 Support Center and Cuspidor
Plan View with Elevation



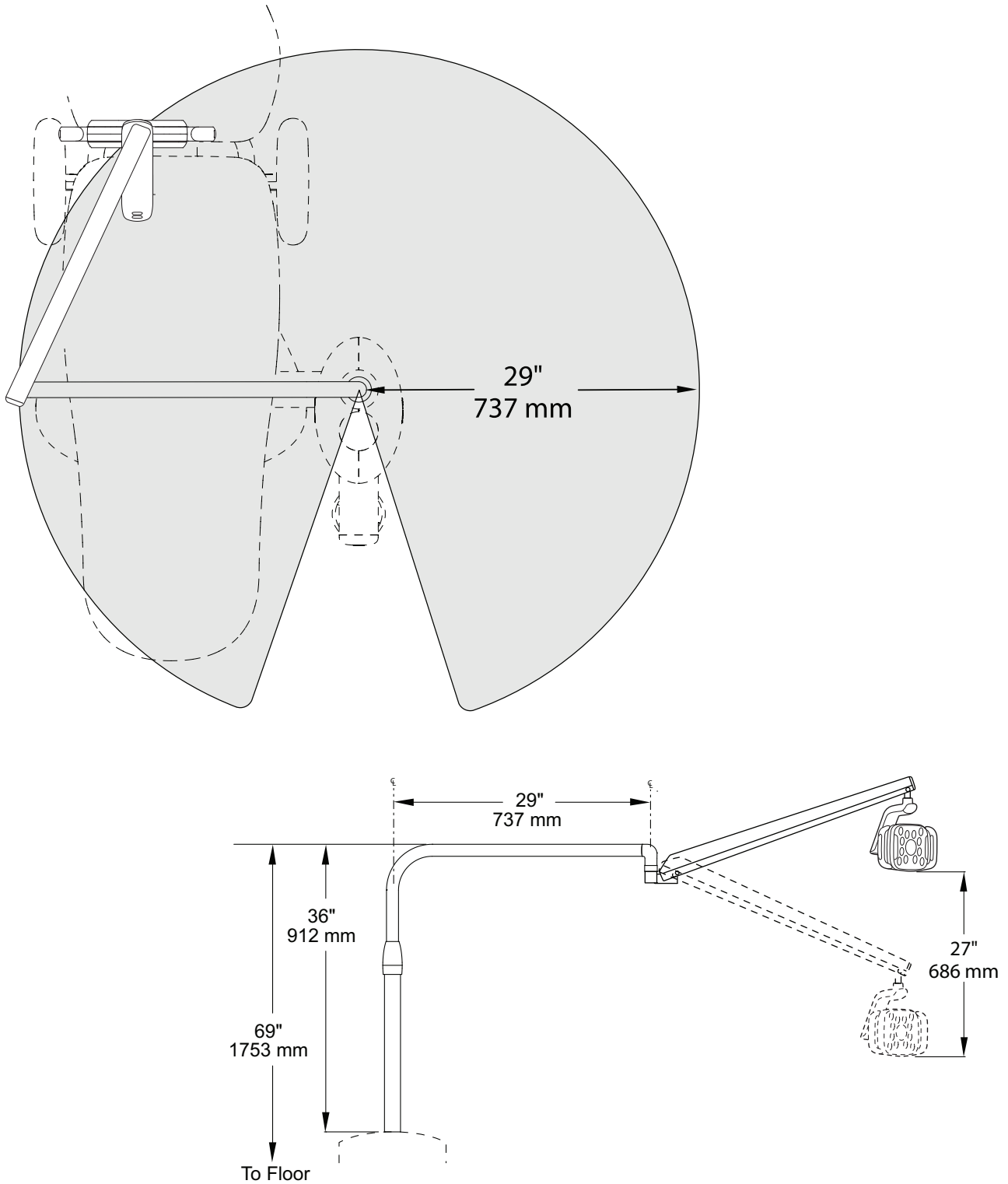
A-dec 571, 571L, and 371 Dental Light
Plan View

(shown with A-dec 571L LED Dental Light)

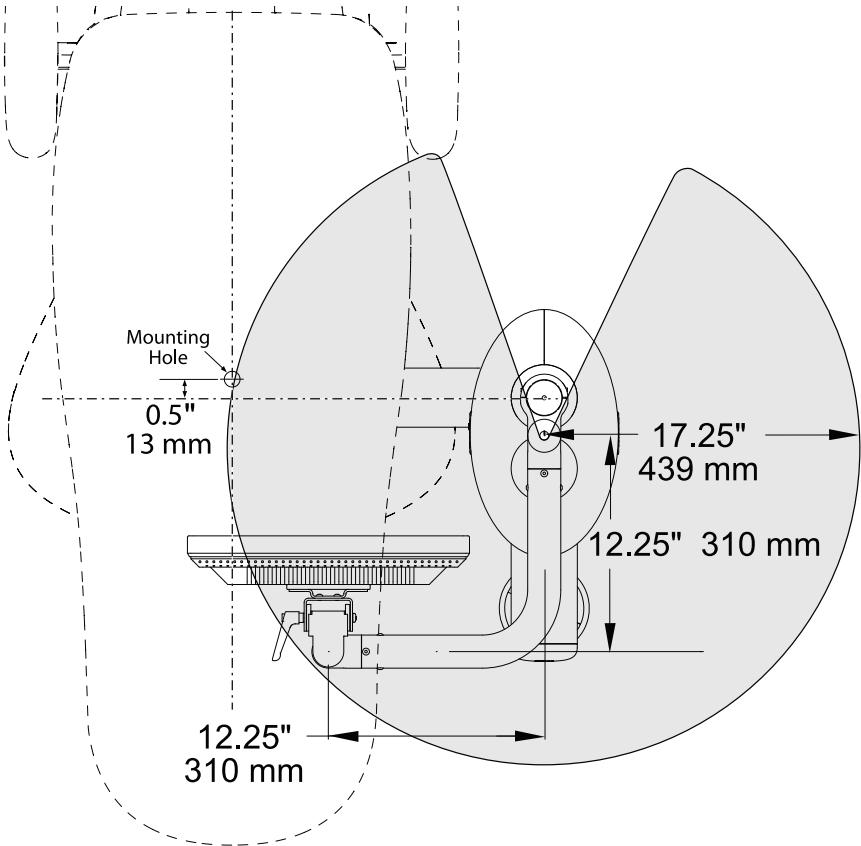


A-dec 571, 571L, and 371 Dental Light Plan View with Elevation

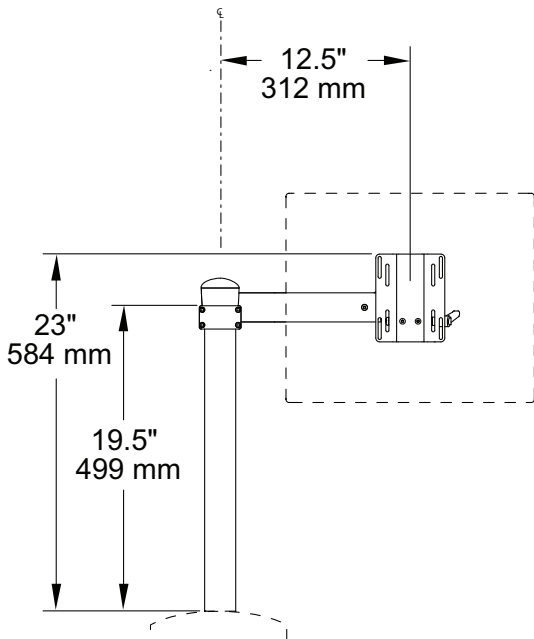
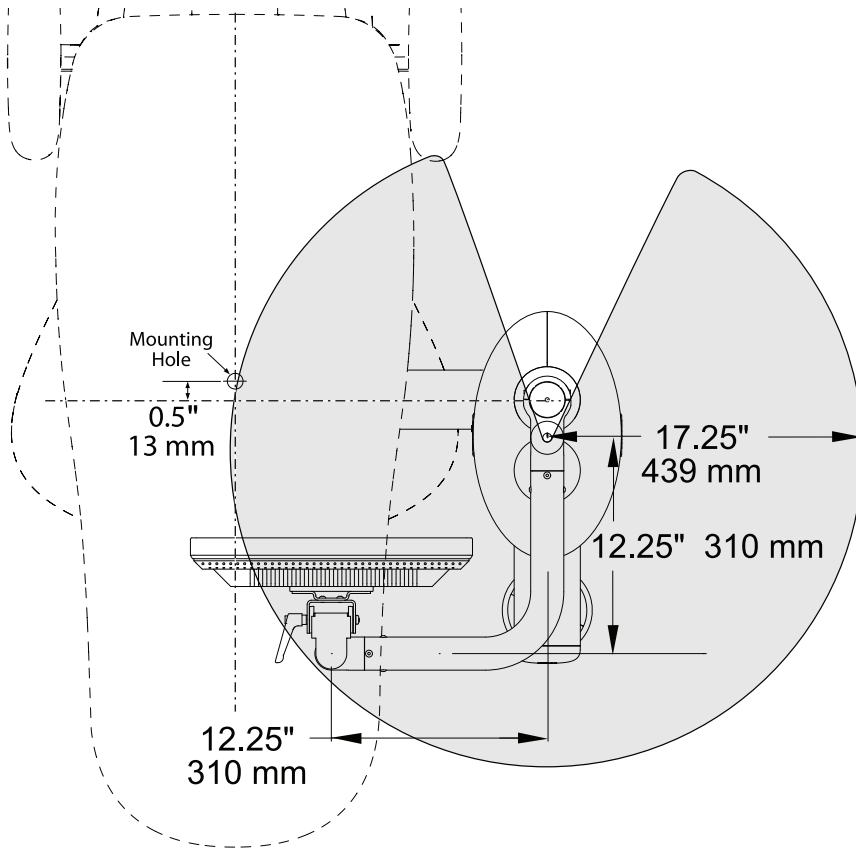
(shown with A-dec 571L LED Dental Light)



A-dec 361 Support Center with Monitor Mount
Plan View

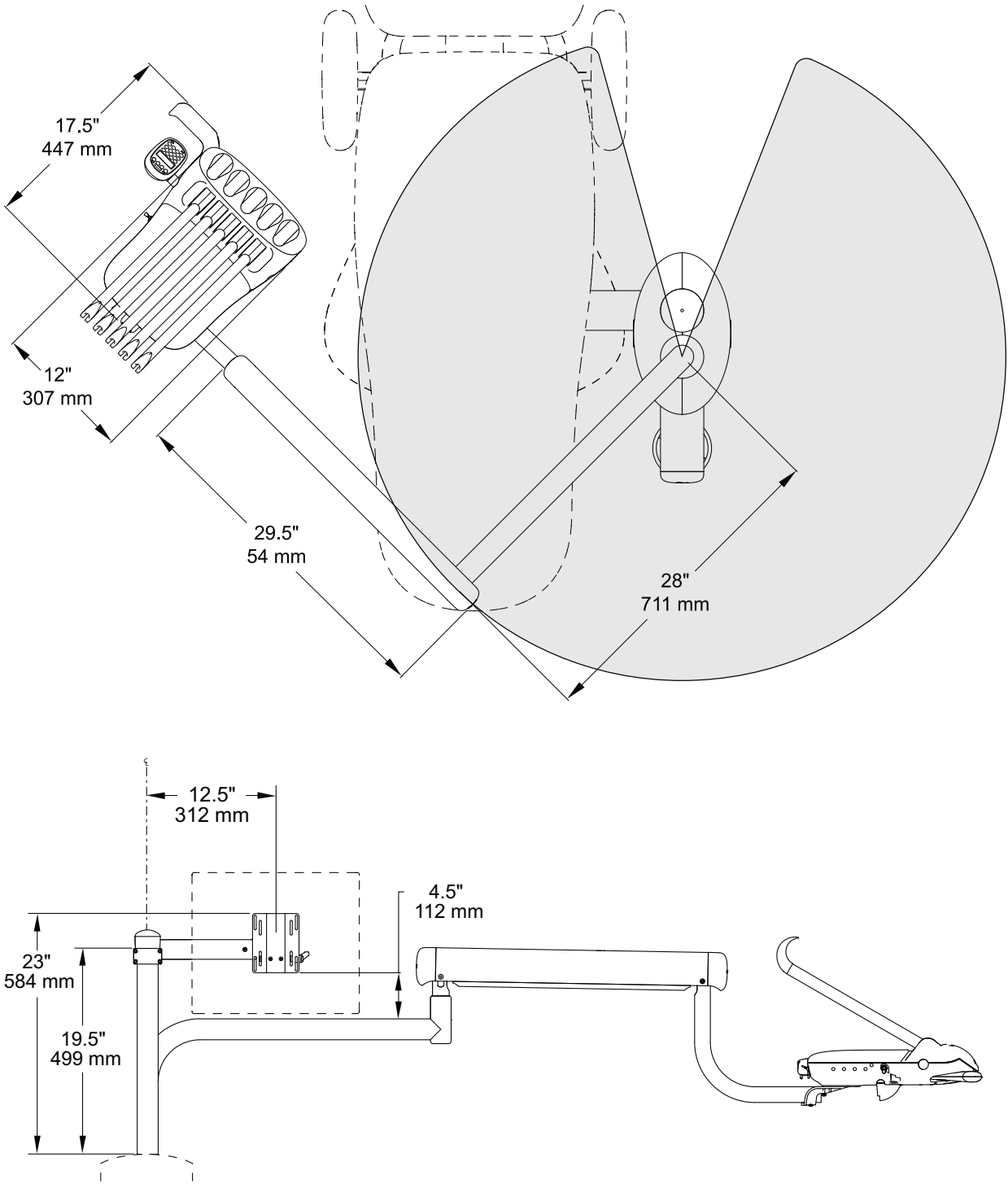


A-dec 361 Support Center with Monitor Mount Plan View with Elevation



A-dec 334/335 Delivery System with Monitor Mount Plan View with Elevation

(shown with 335 system)



Regulatory Information

Regulatory information is provided with A-dec equipment as mandated by agency requirements. This information is delivered in the equipment's *Instructions for Use* or the separate *Regulatory Information and Specifications* document. If you need this information, please go to the Document Library at www.a-dec.com.



A-dec Headquarters
2601 Crestview Drive
Newberg, OR 97132 USA
Tel: 1.800.547.1883 Within USA/Canada
Tel: 1.503.538.7478 Outside USA/Canada
Fax: 1.503.538.0276
www.a-dec.com / www.a-dec.biz

A-dec Inc. makes no warranty of any kind with regard to the content in this document including, but not limited to, the implied warranties of merchantability and fitness for a particular purpose.

86.0095.00 Rev E
Copyright 2012 A-dec Inc.
All rights reserved.