

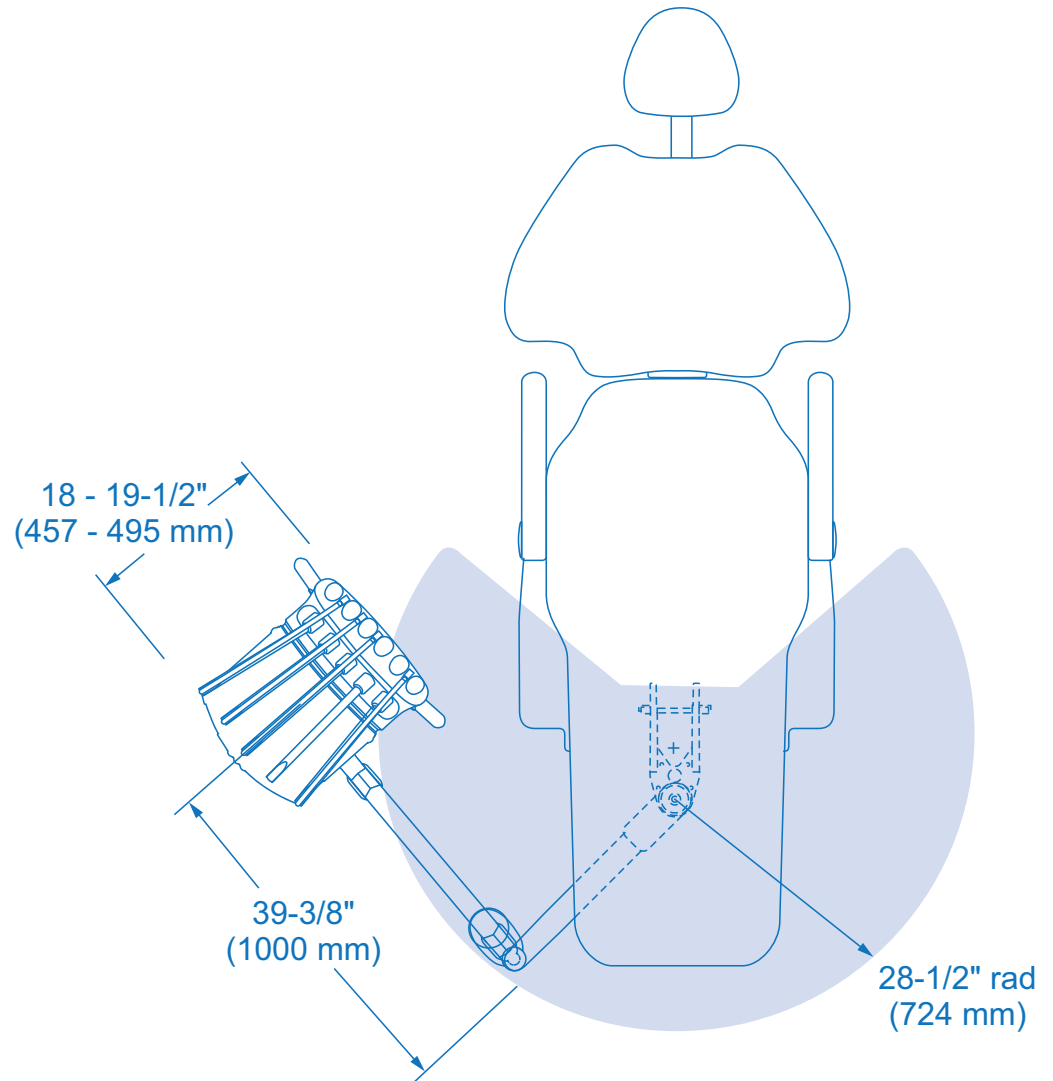
A-dec Dental Equipment Dimensions (International)

Contents

A-dec 500	3
A-dec 400	15
A-dec 300	25
A-dec 200	44
A-dec 300 on Cascade [®] Dental Chair	49
A-dec 300 on Decade [®] Dental Chair	52
A-dec Dental Stools	55
Dental Lights (Non-Chair Mounted)	58
Cascade, Decade and Oregon Carts	60

Note

This document contains dimensions for currently available A-dec dental equipment. To find the most recent, up to date, and complete product specifications, visit the Resource Center at www.a-dec.com, or the Planning Resources tab on Partner Resources. Pre-Installation Guides available on both sites provide additional details for facilities planning.



Copyright

© 2021 A-dec, Inc. All rights reserved.

A-dec, Inc. makes no warranty of any kind with regard to this material, including, but not limited to, the implied warranties of merchantability and fitness for a particular purpose. A-dec, Inc. shall not be held liable for any errors contained herein or any consequential or other damages concerning the furnishing, performance or use of this material. The information in this document is subject to change without notice. If you find any problems in the documentation, please report them to us in writing. A-dec, Inc. does not warrant that this document is error-free.

No part of this document may be copied, reproduced, altered, or transmitted in any form or by any means, electronic or mechanical, including photocopying, recording, or by any information storage and retrieval system, without prior written permission from A-dec, Inc.

Trademarks and Additional Intellectual Property Rights

A-dec, the A-dec logo, A-dec Inspire, Cascade, Century Plus, Continental, Decade, ICX, ICV, Performer, Preference, Preference Collection, Preference ICC, Radius, and reliablecreativesolutions are trademarks of A-dec, Inc. and are registered in the United States and other countries. A-dec 500, A-dec 400, A-dec 300, A-dec 200, and EasyFlex are also trademarks of A-dec, Inc. None of the trademarks or trade names in this document may be reproduced, copied, or manipulated in any manner without the express, written approval of the trademark owner.

Certain touchpad symbols are proprietary to A-dec, Inc. Any use of these symbols, in whole or in part, without the express written consent of A-dec, Inc., is strictly prohibited.

Regulatory Information and Warranty

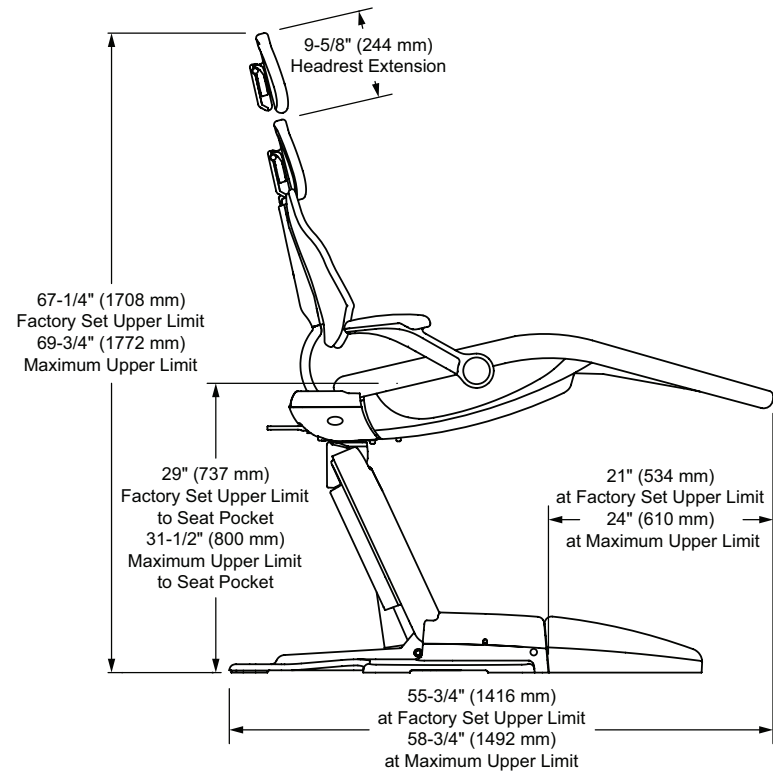
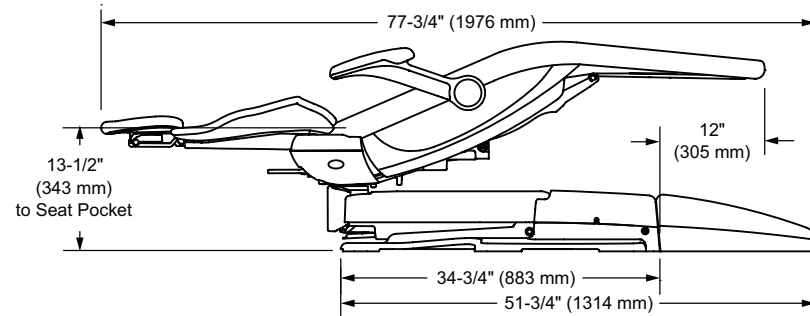
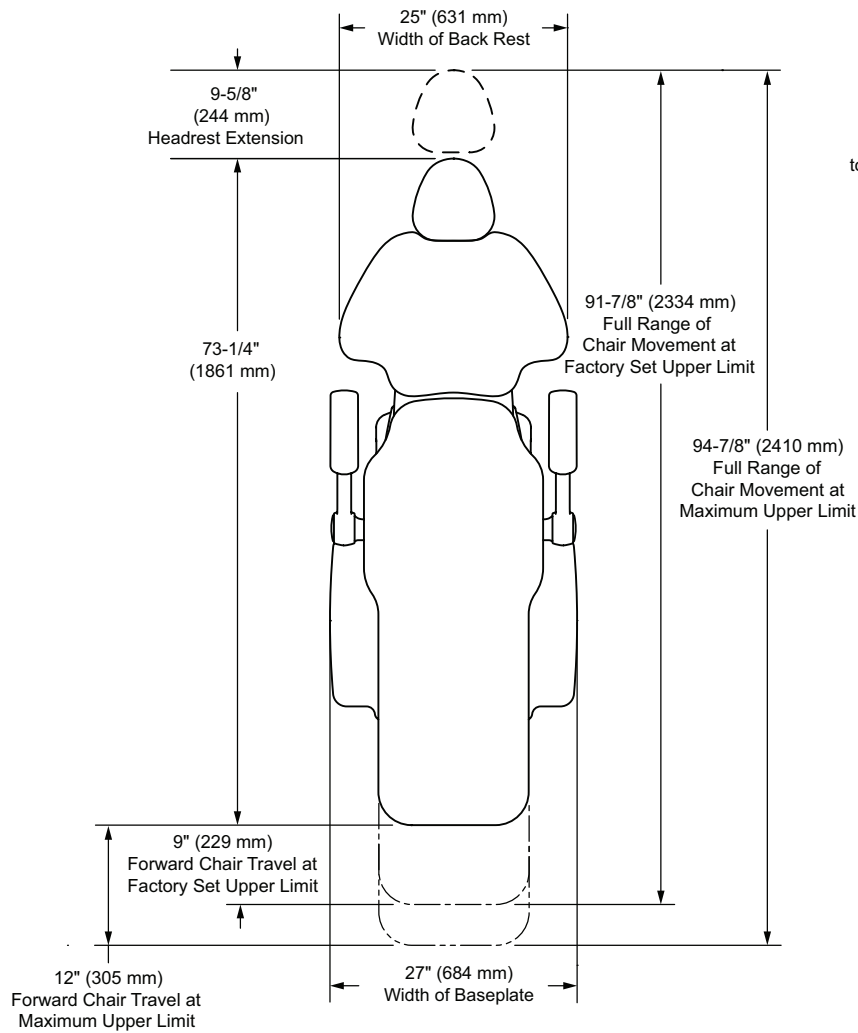
For required regulatory information and the A-dec warranty, see the *Regulatory Information, Specifications, and Warranty* document (p/n 86.0221.00) available in the Resource Center at www.a-dec.com.

Product Service

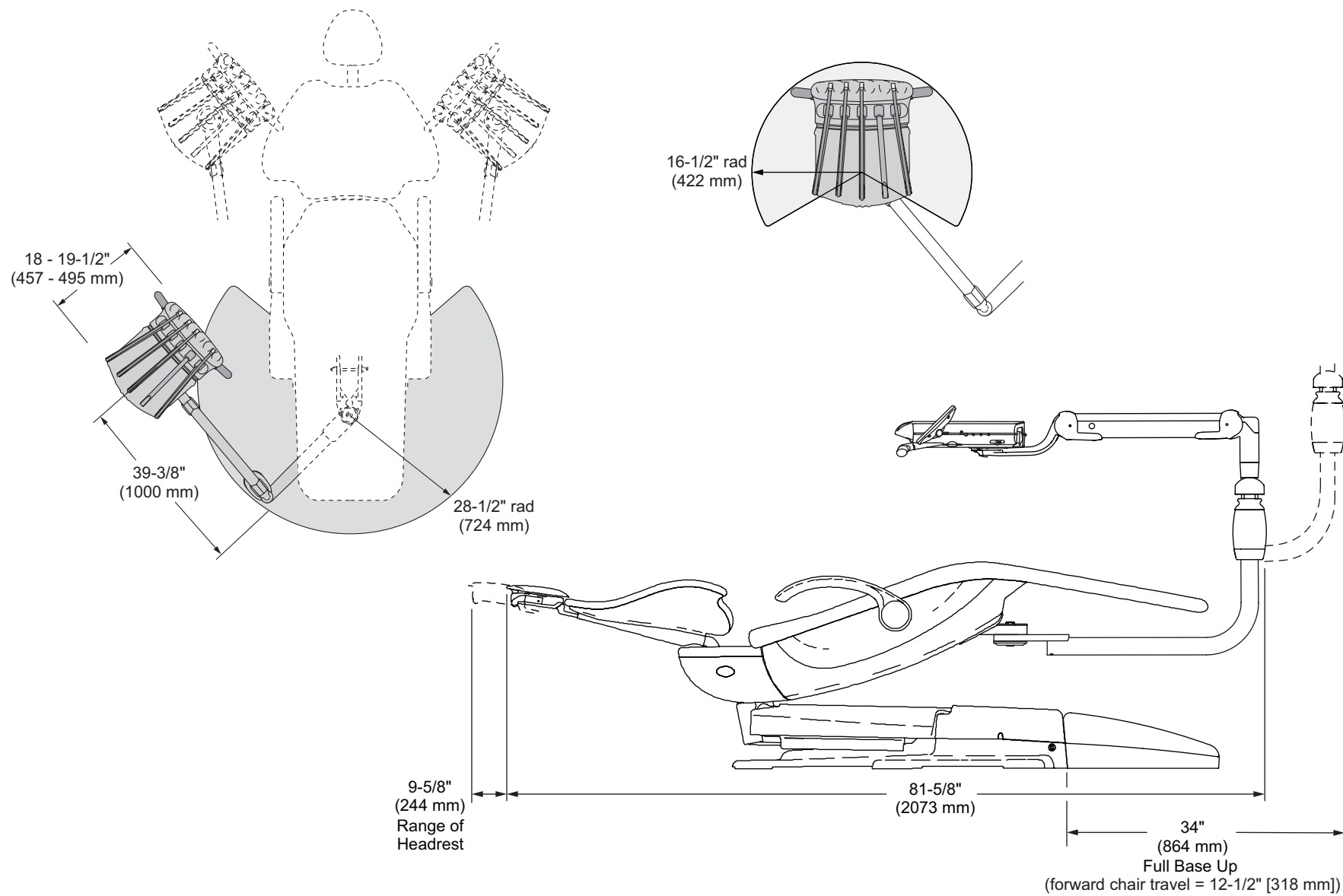
Product service is available through your local authorized A-dec dealer. For service information, or to locate an authorized dealer, contact A-dec at 1.800.547.1883 in the USA and Canada or 1.503.538.7478 worldwide, or visit www.a-dec.com.

A-dec 500

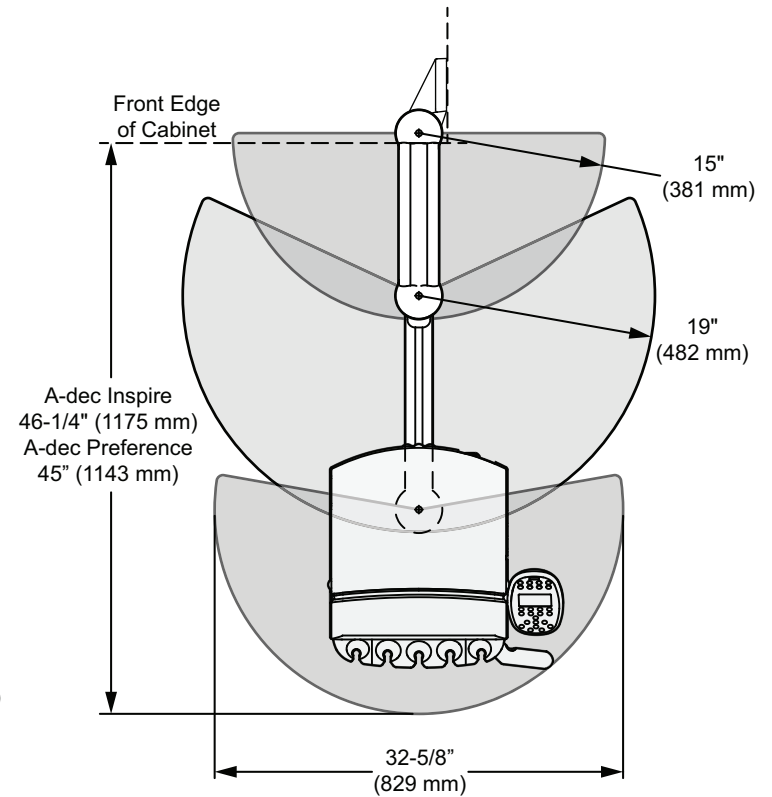
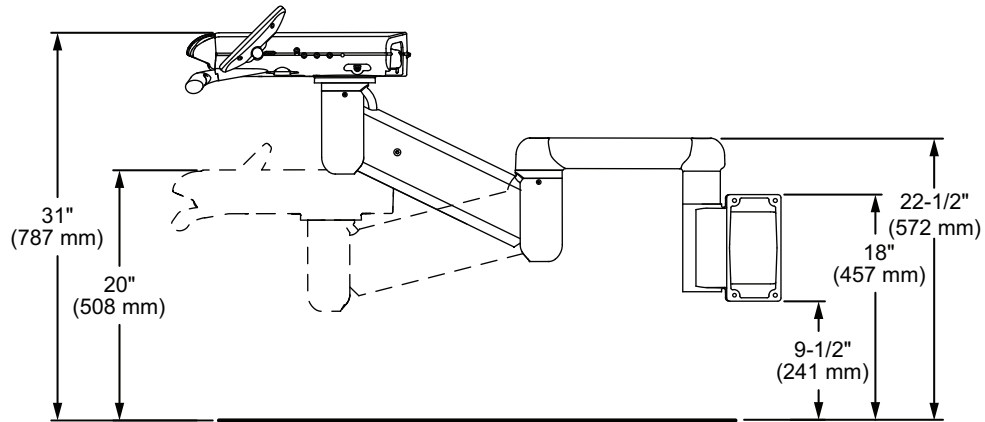
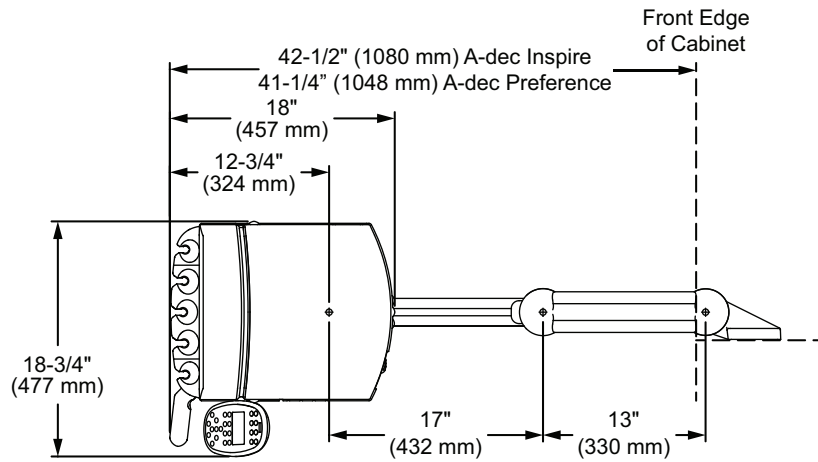
A-dec A-dec 511B Dental Chair



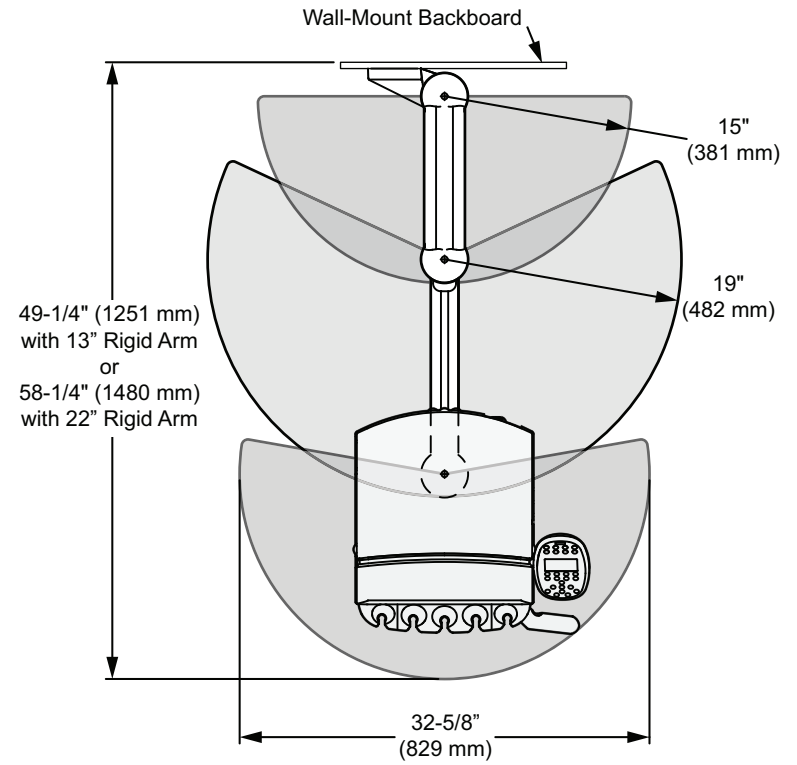
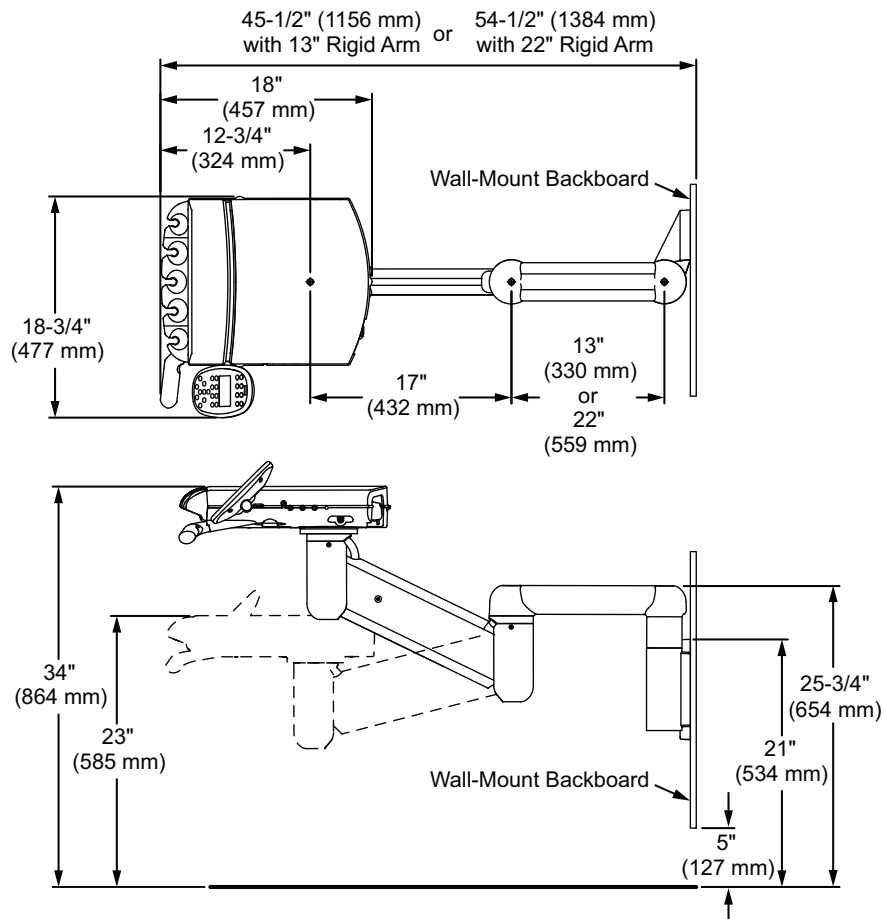
A-dec 532A/533A Delivery System



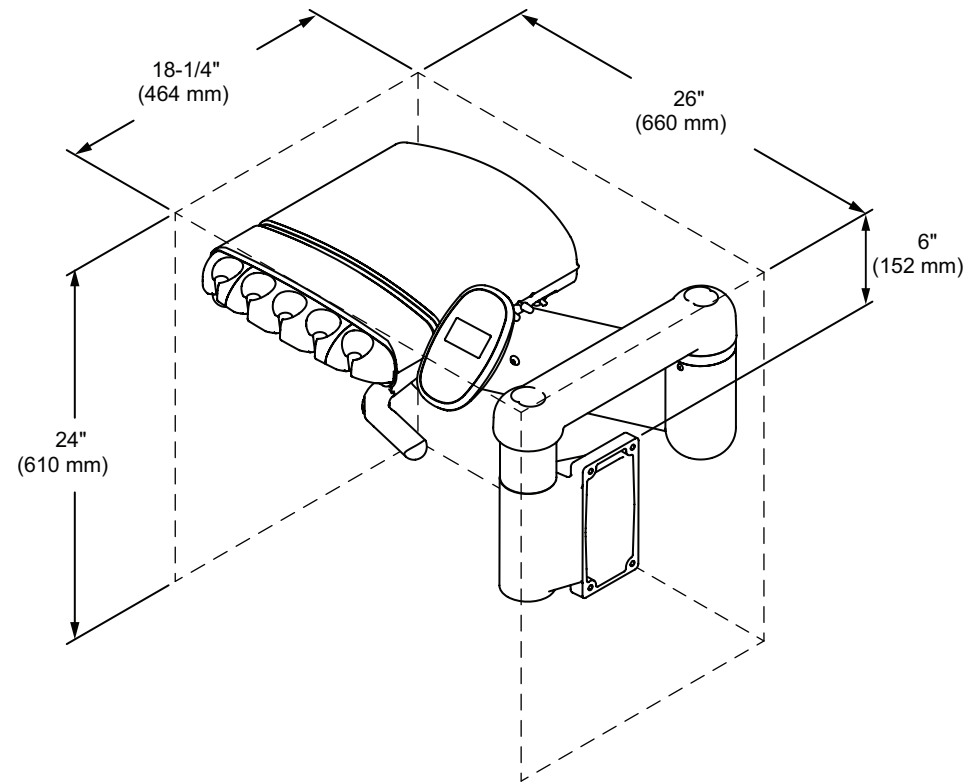
A-dec 542 Cabinet-Mount Delivery System



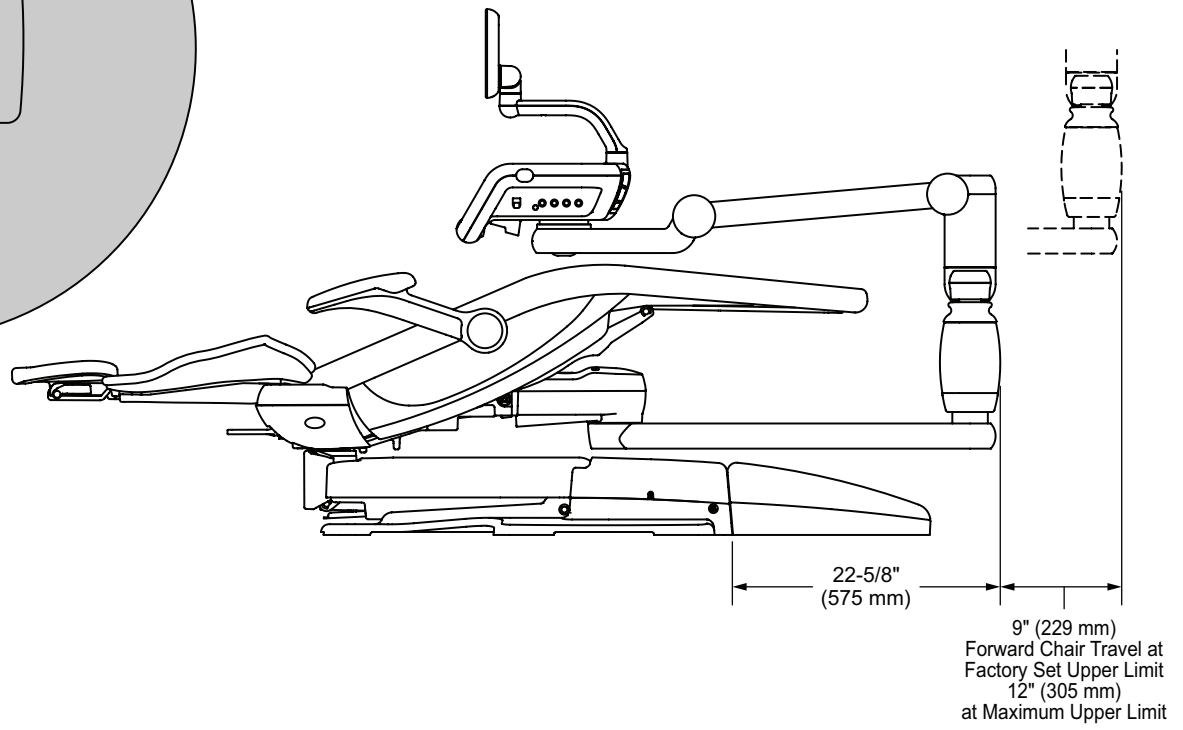
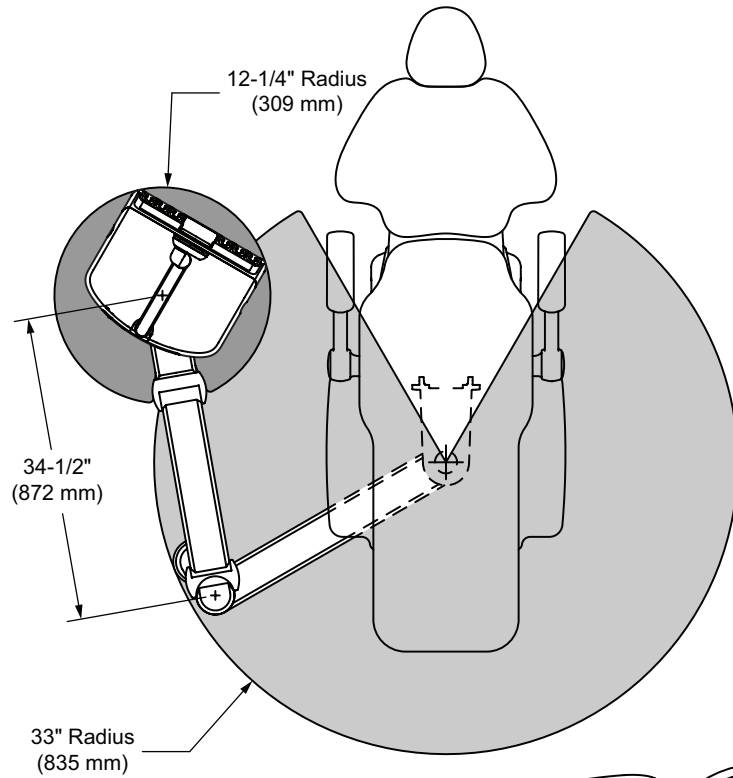
A-dec 542 Wall-Mount Delivery System



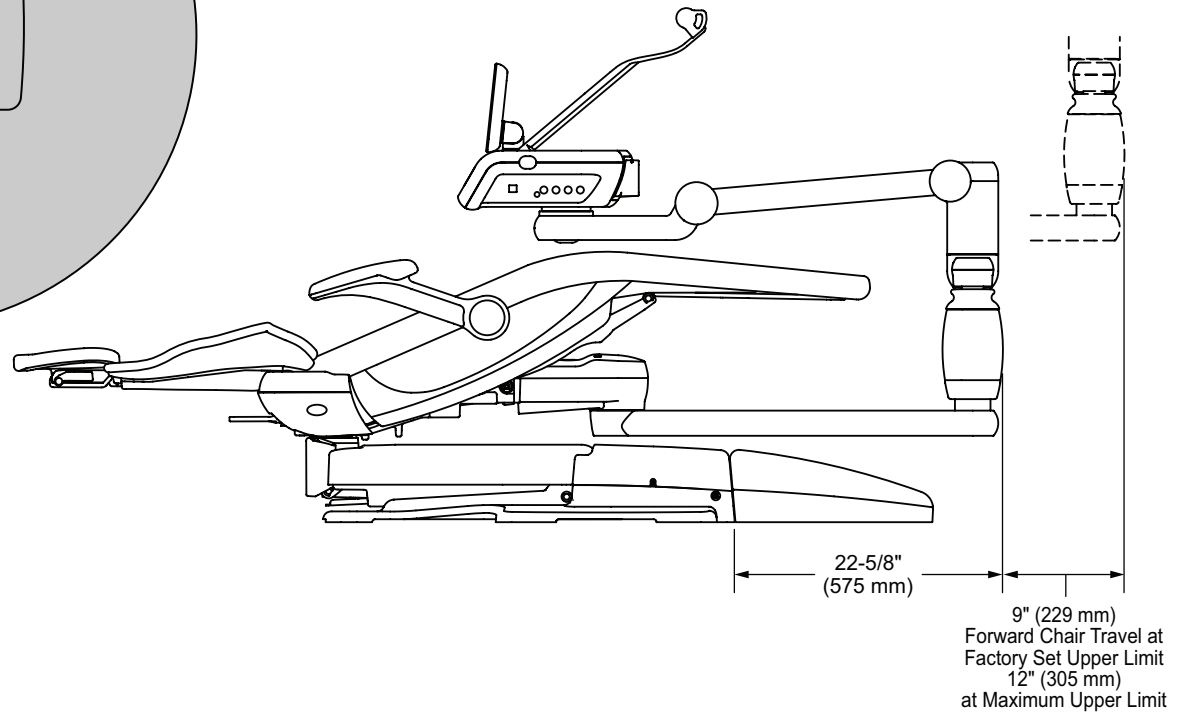
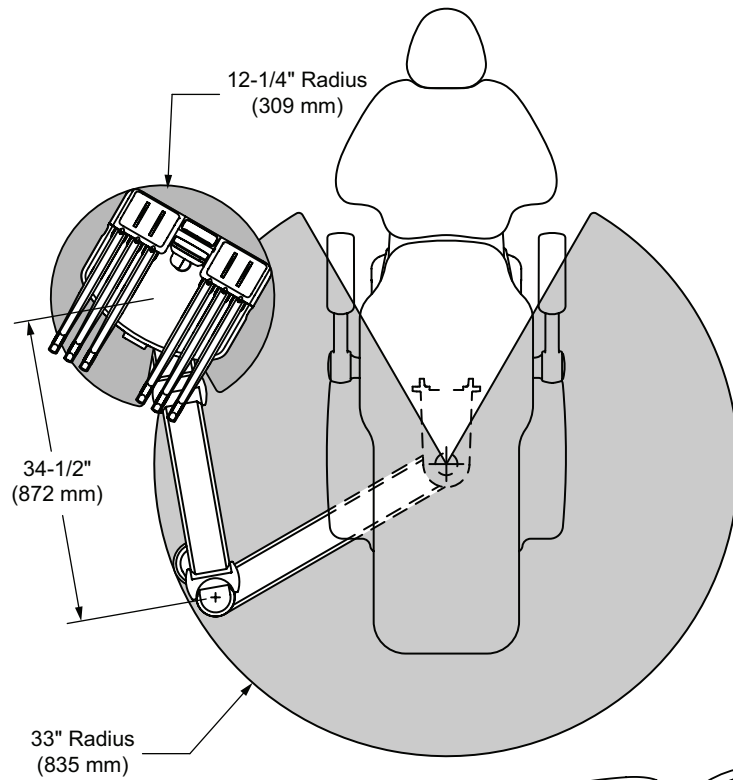
A-dec 542 Delivery System Cabinet Clearance for Non-A-dec Cabinets



A-dec 532B Delivery System

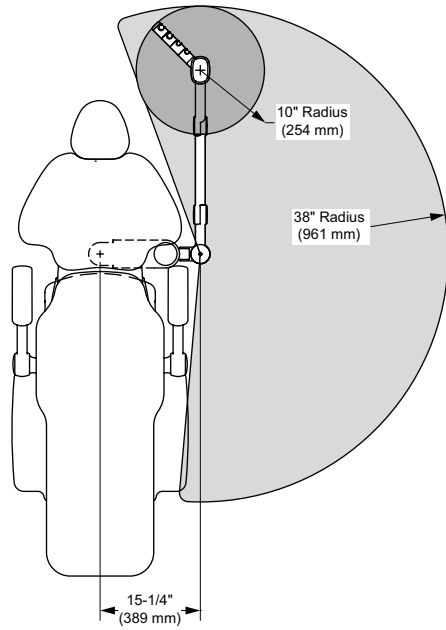


A-dec 533B Delivery System

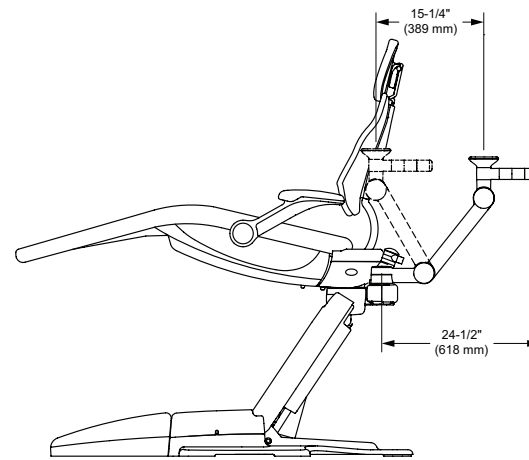
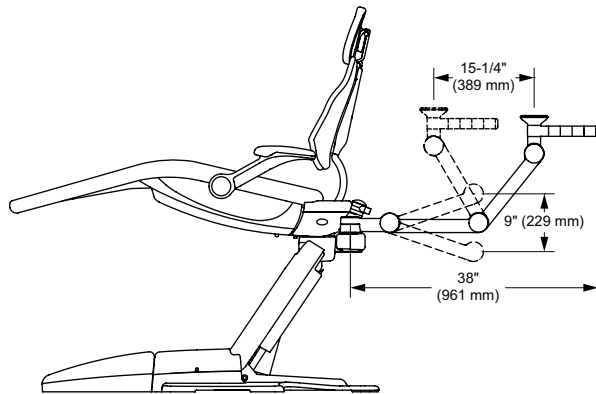
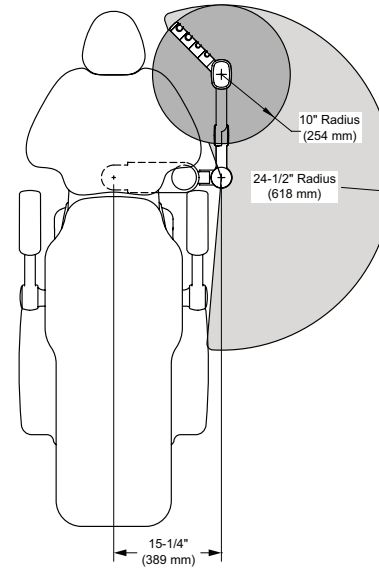


A-dec 551 Assistant's Instrumentation on A-dec 511B Dental Chair

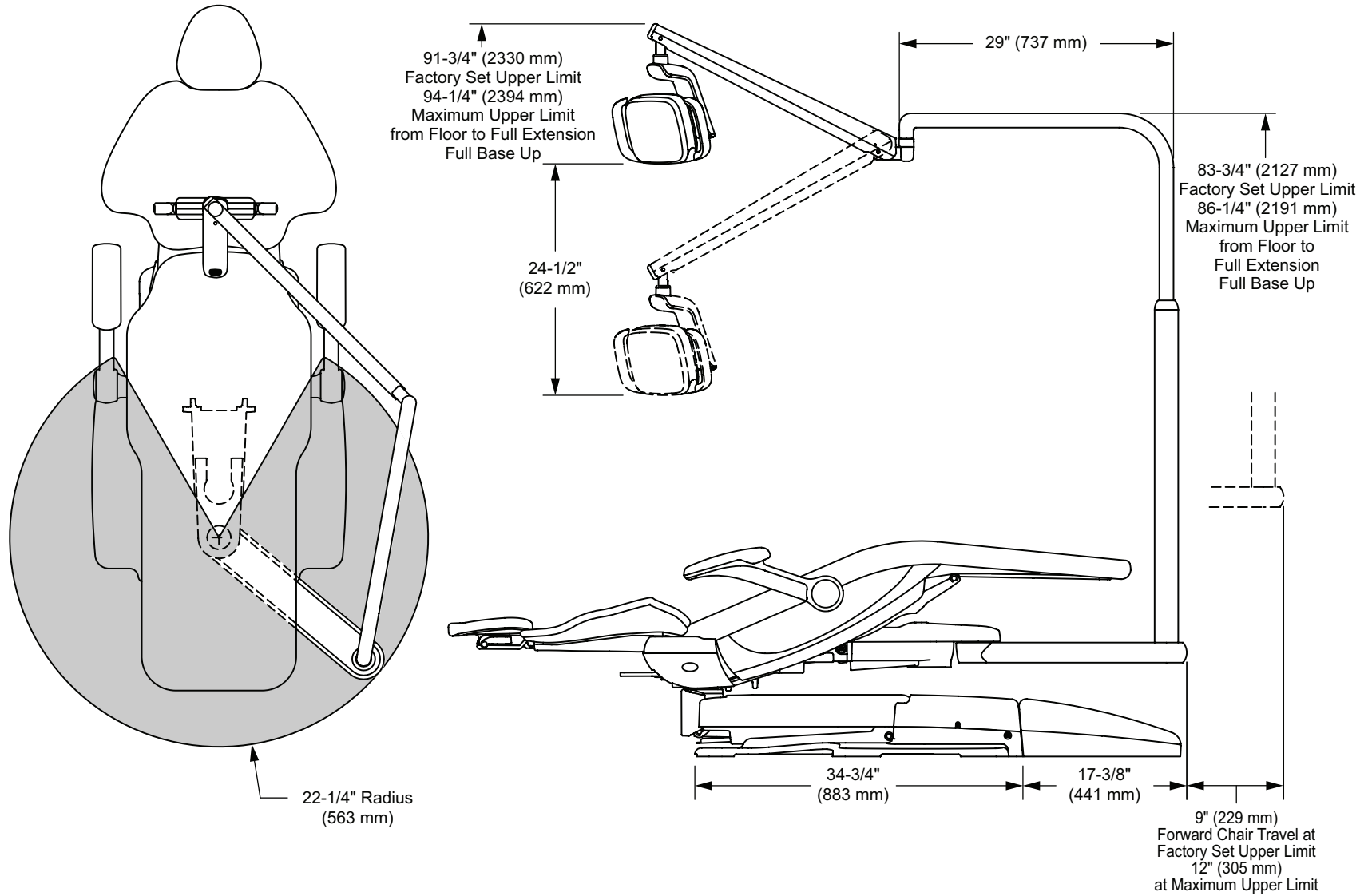
Long Arm



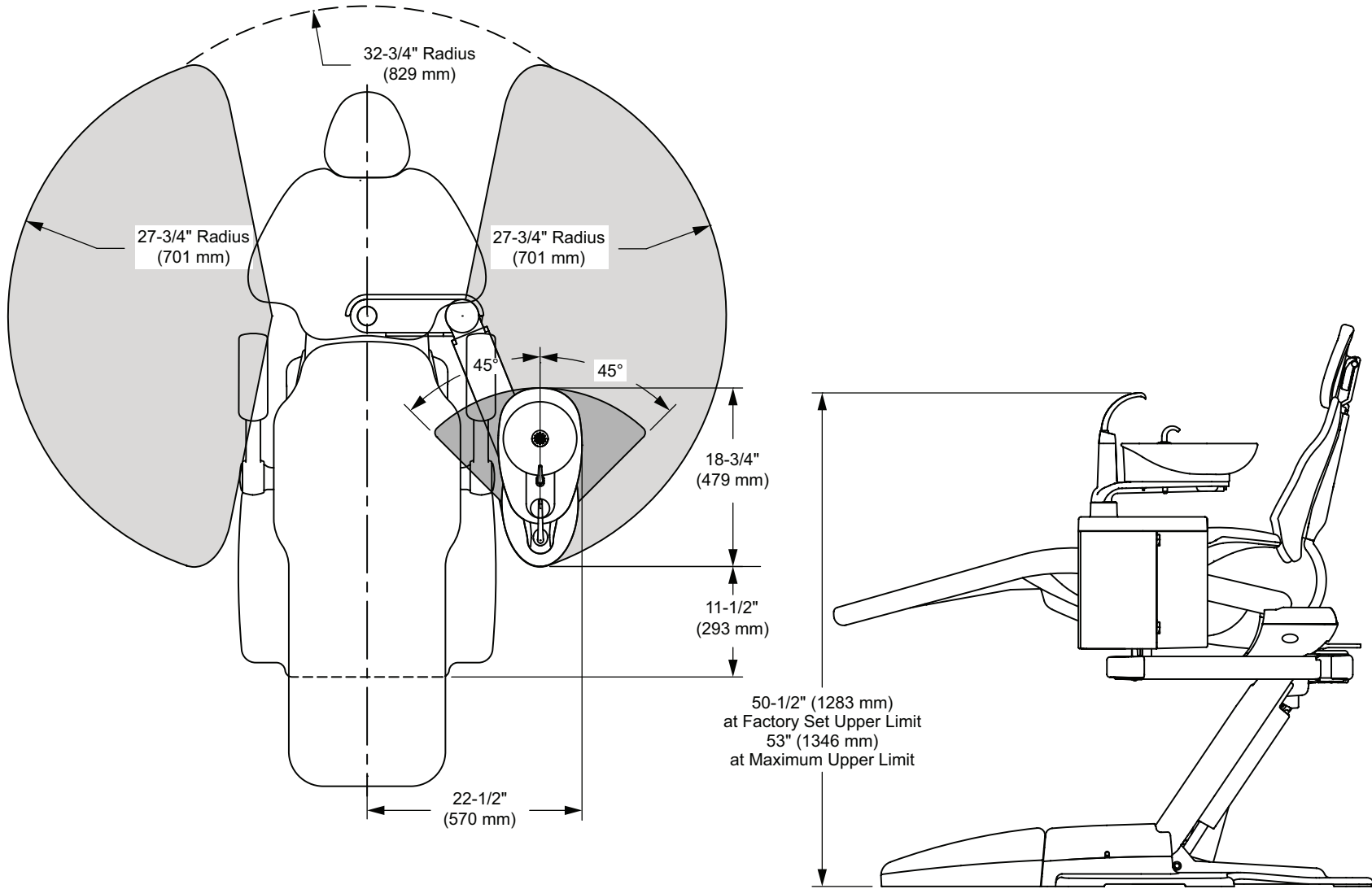
Short Arm



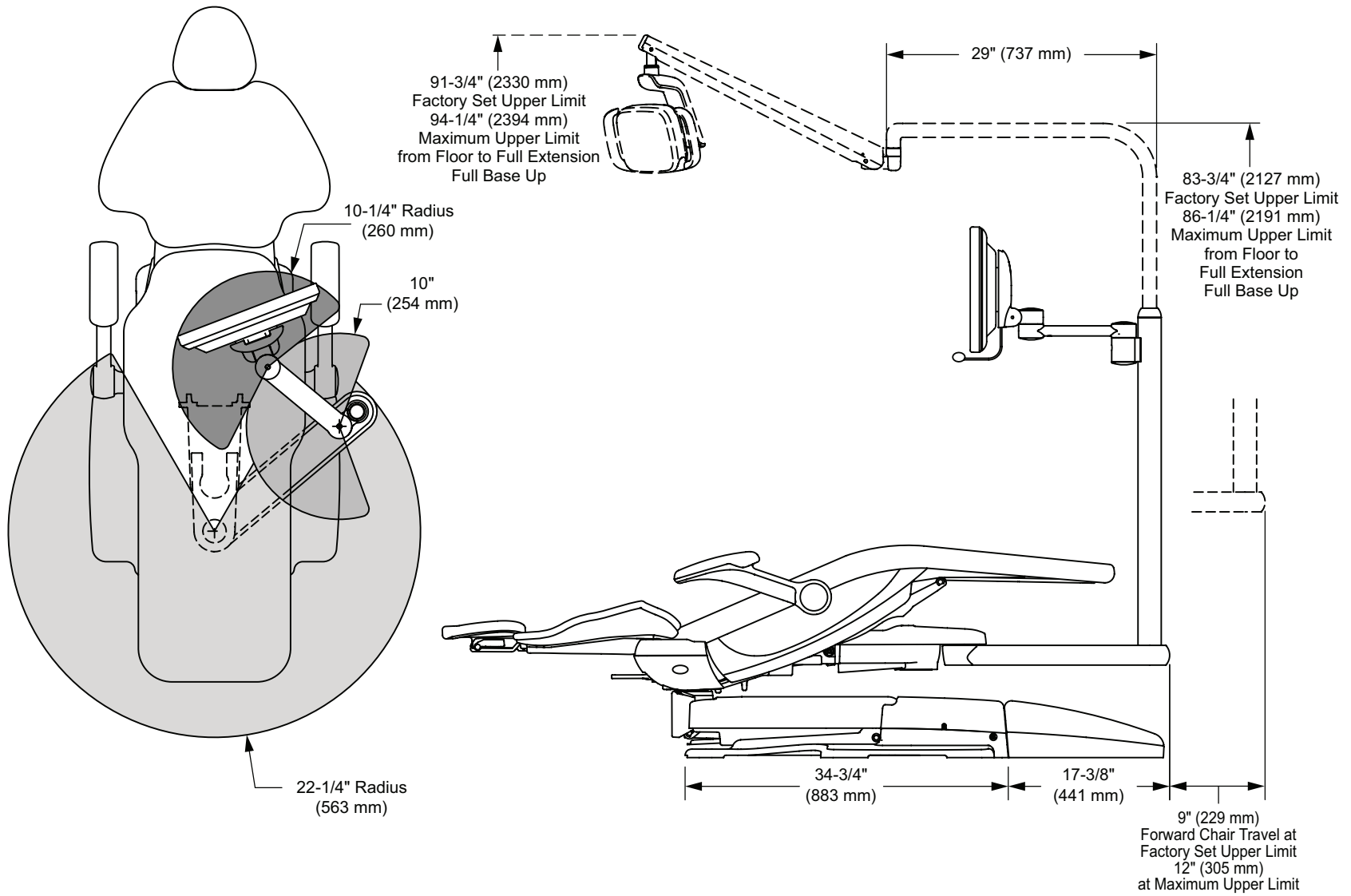
A-dec 572L Dental Light on A-dec 511B Dental Chair



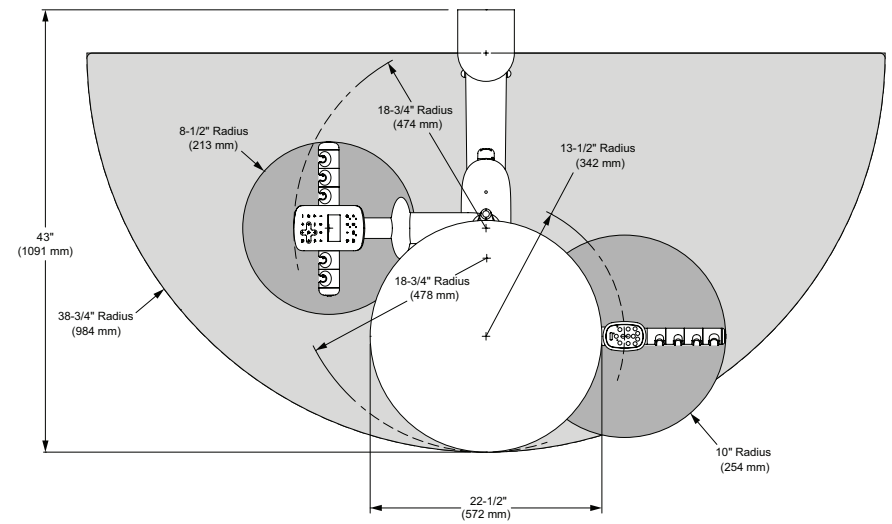
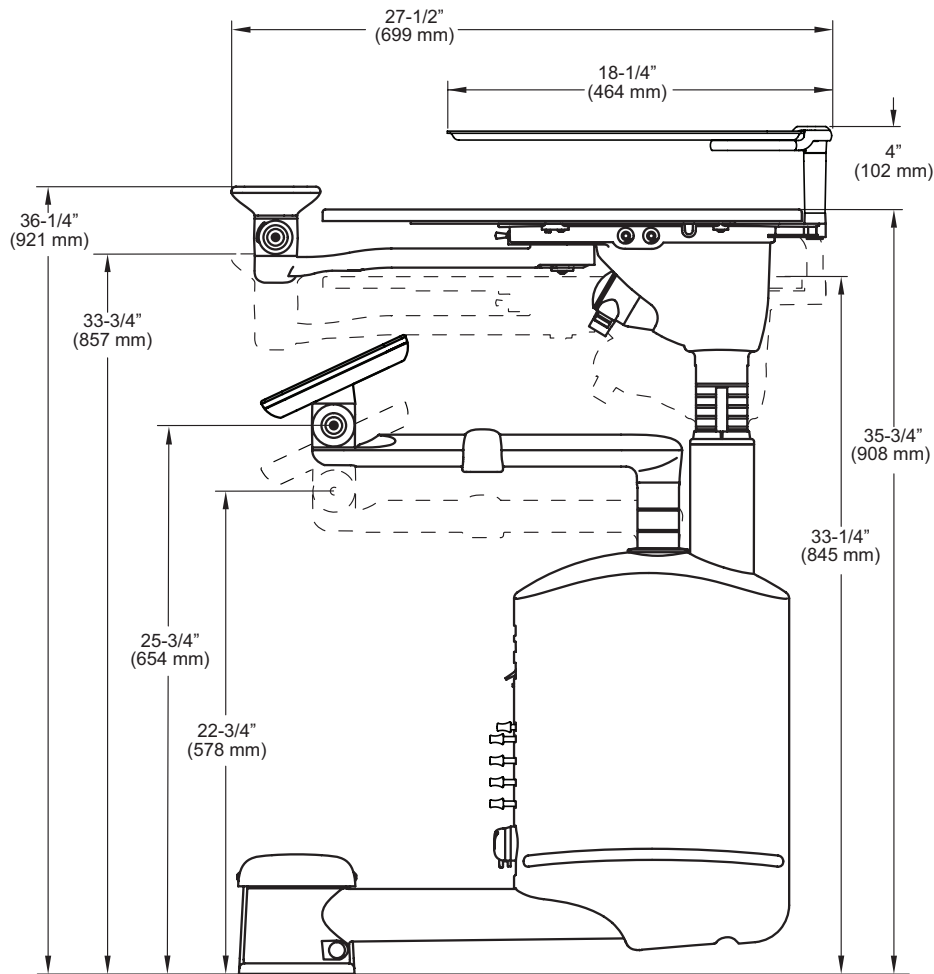
A-dec 461 Support Center and Cuspidor on A-dec 511B Dental Chair



A-dec 482 Monitor Mount and 572L Dental Light on A-dec 511B Dental Chair

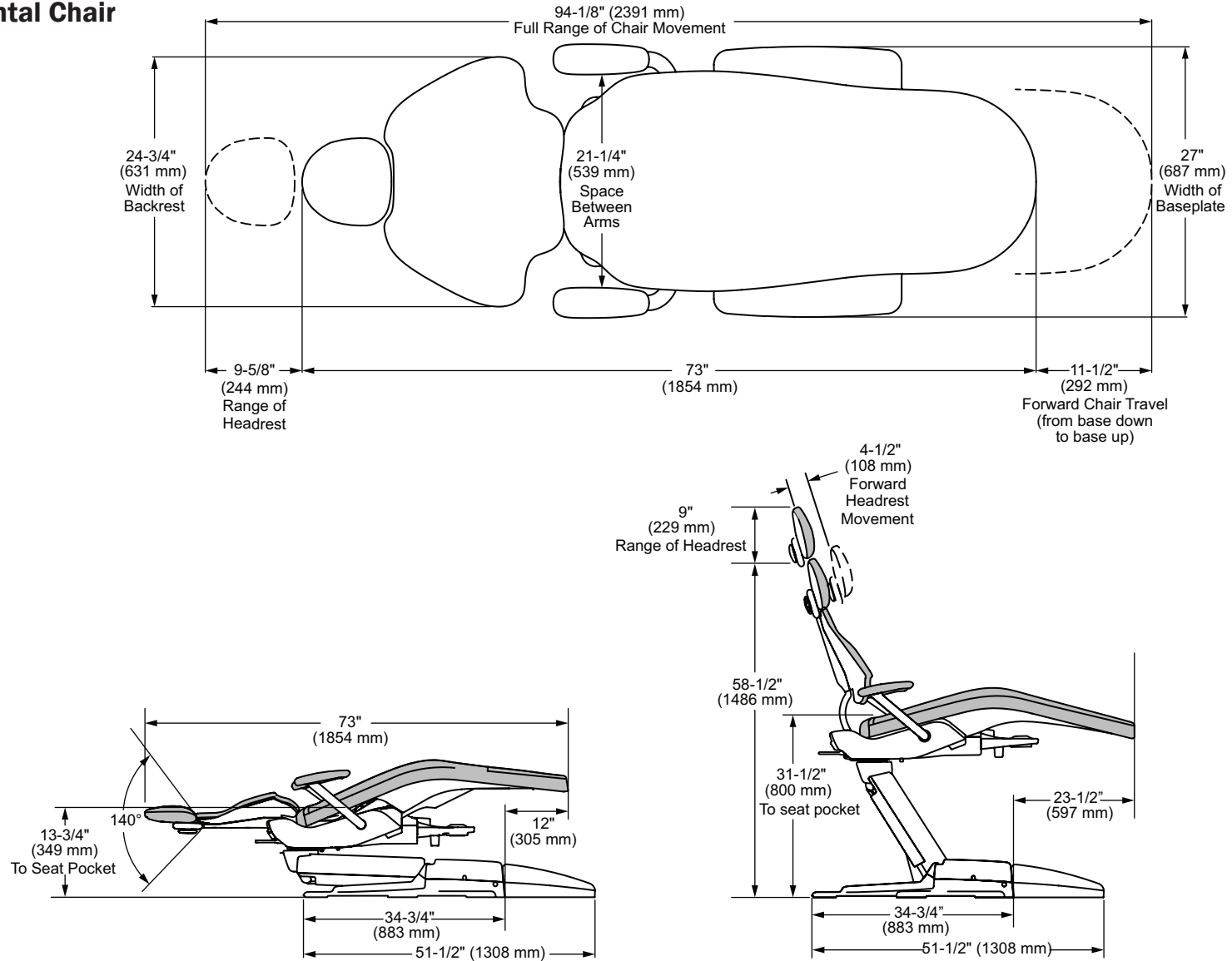


A-dec 541B Duo 12 O'Clock Round Work Surface

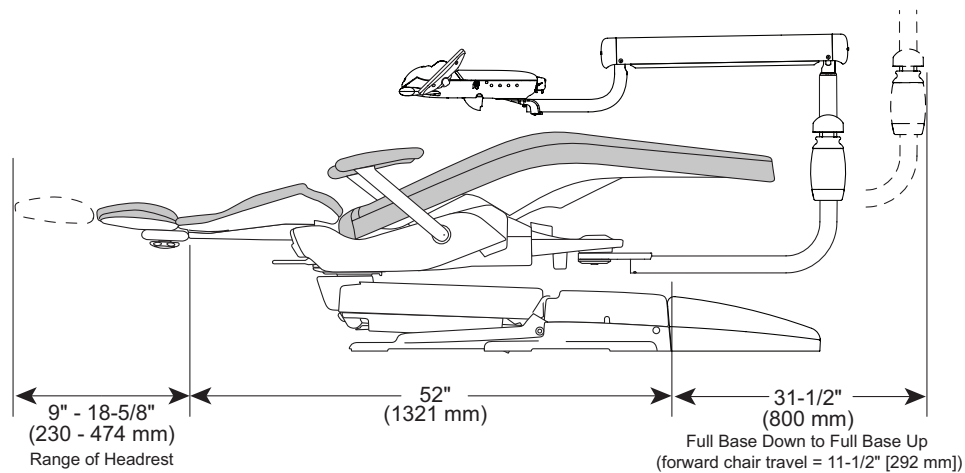
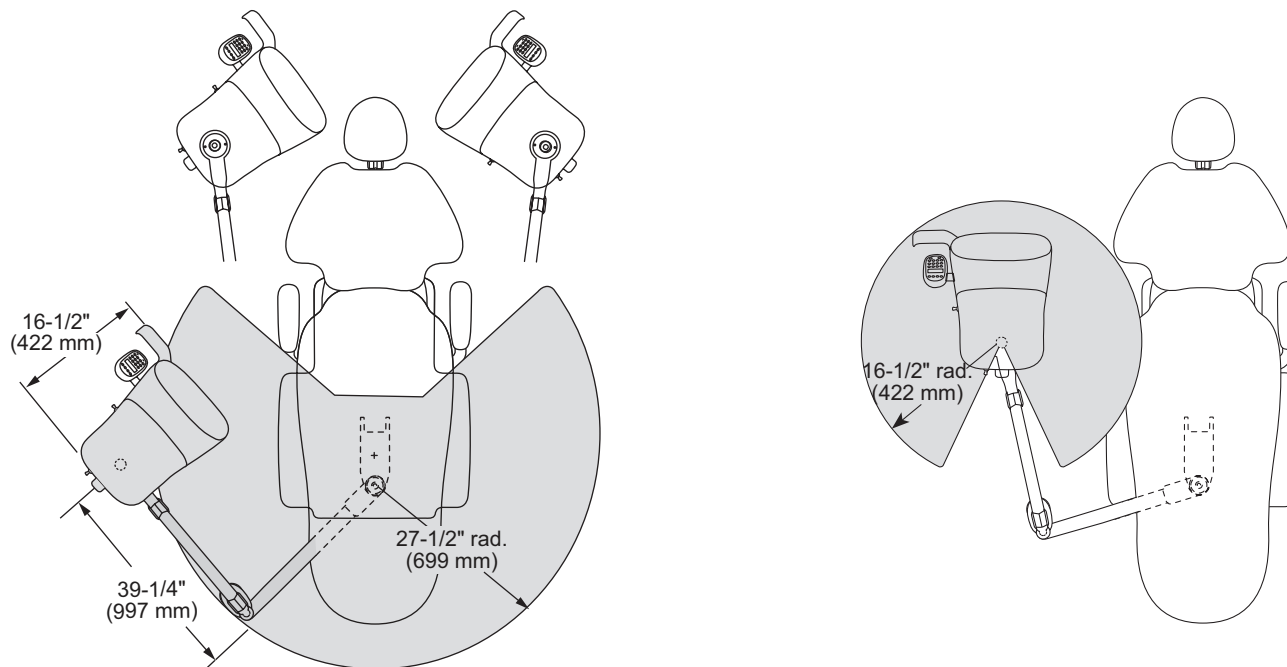


A-dec 400

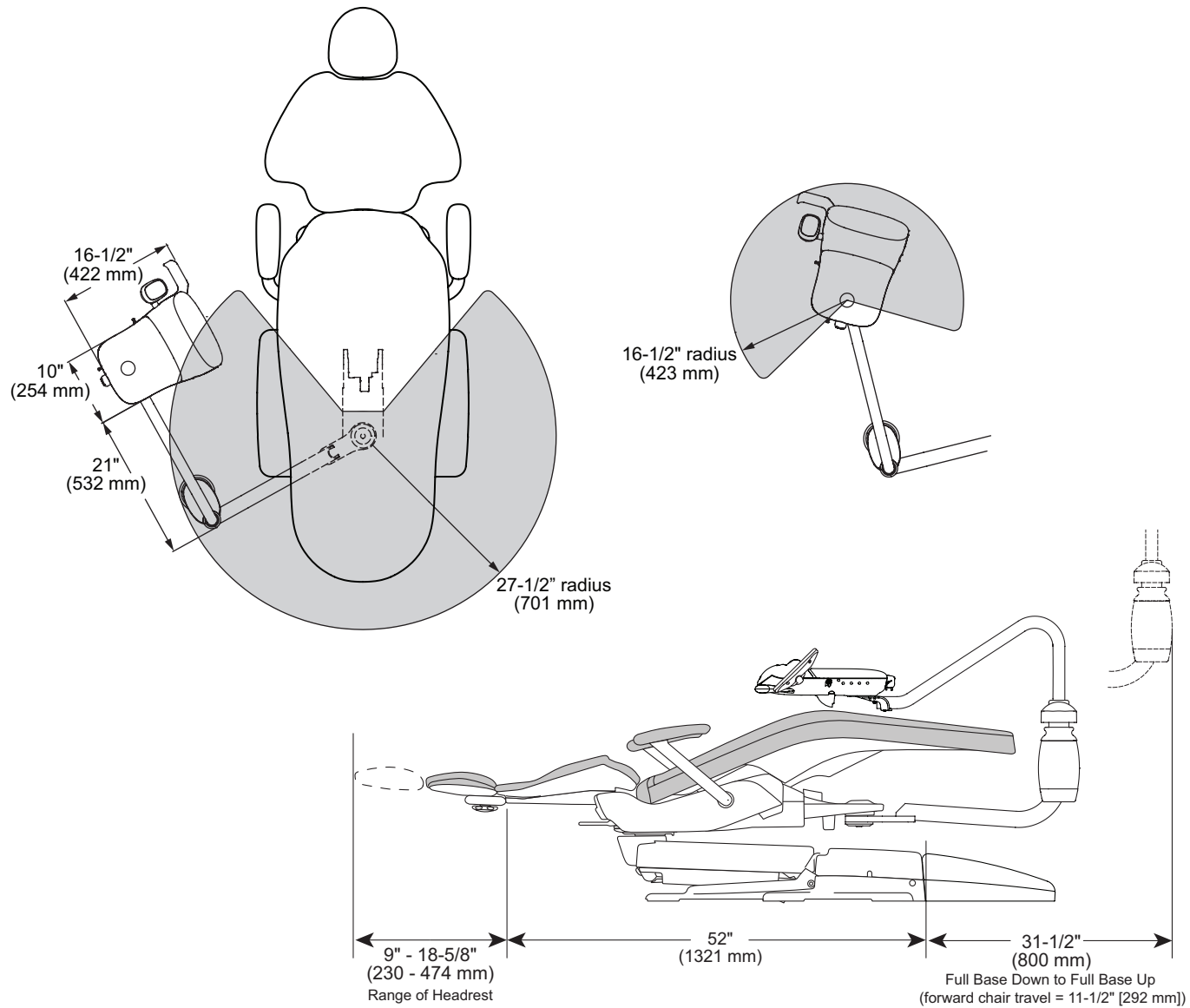
A-dec 411 Dental Chair



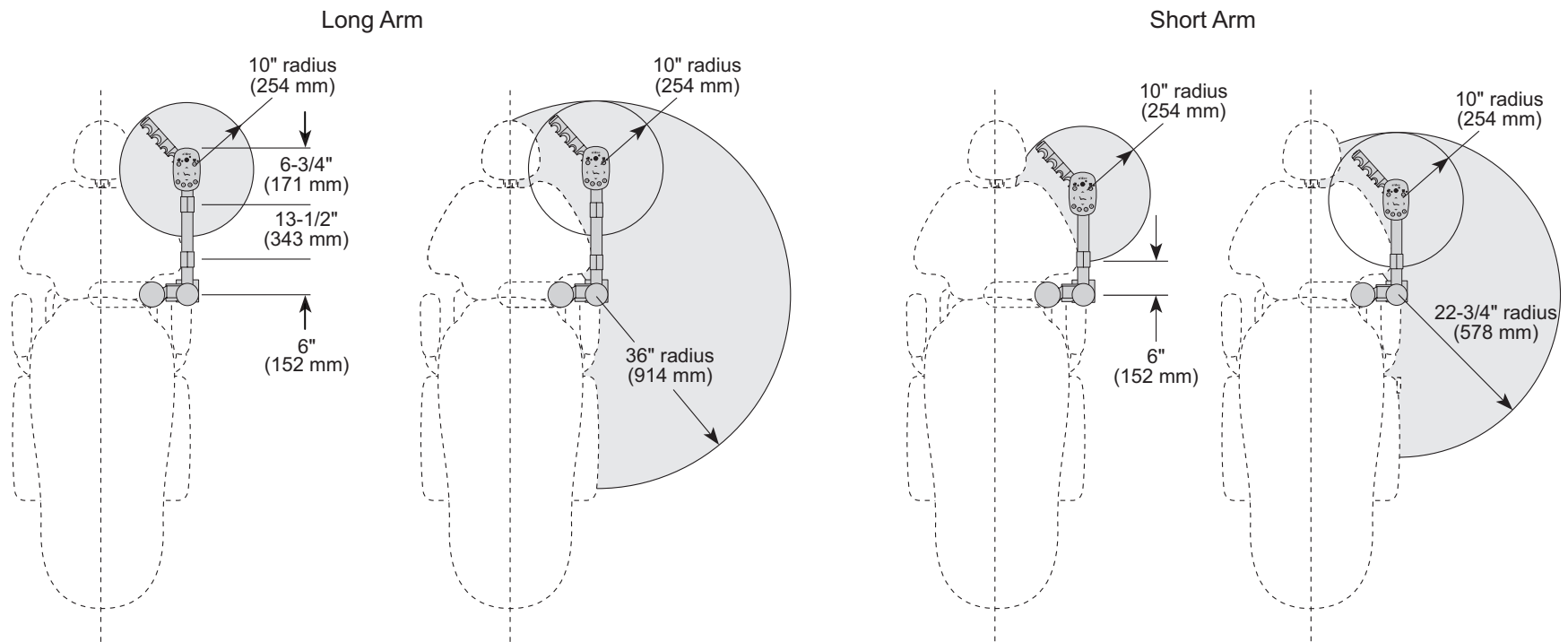
A-dec 332/333 Delivery System on 411 Dental Chair



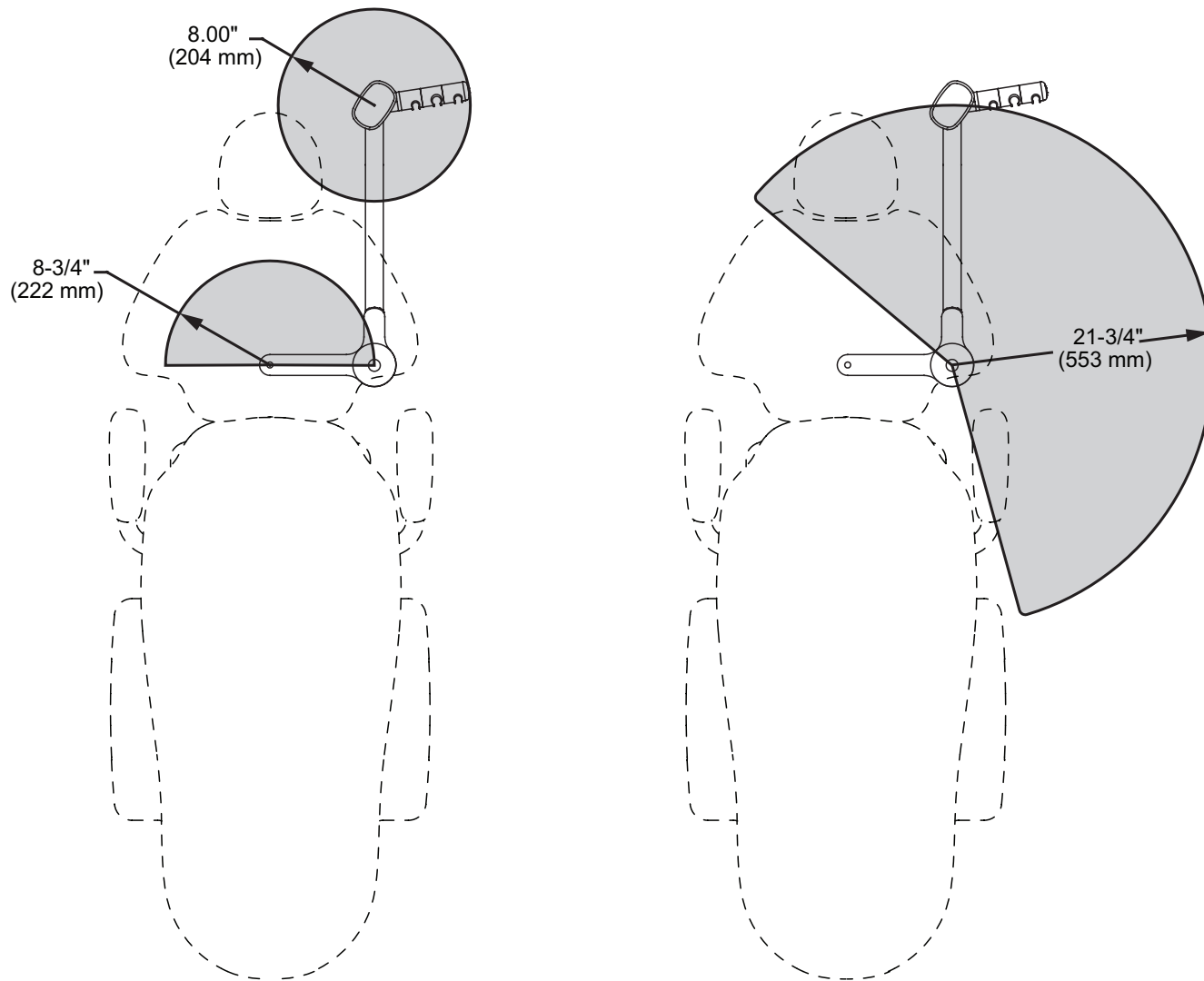
A-dec 336 Delivery System on 411 Dental Chair



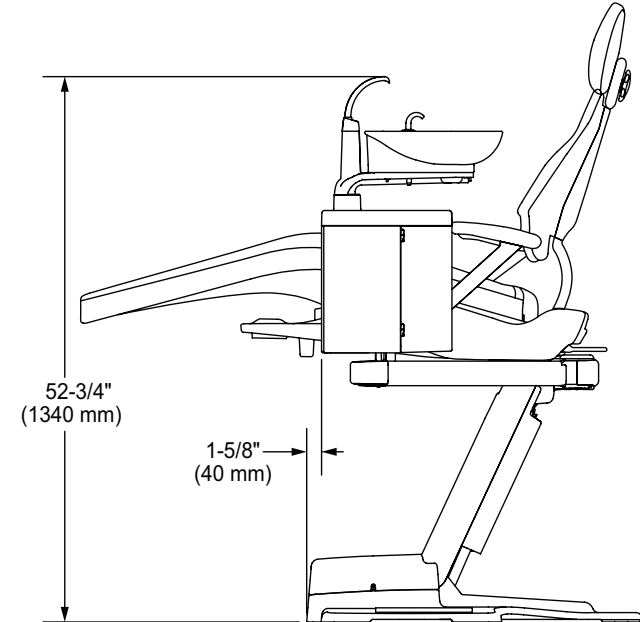
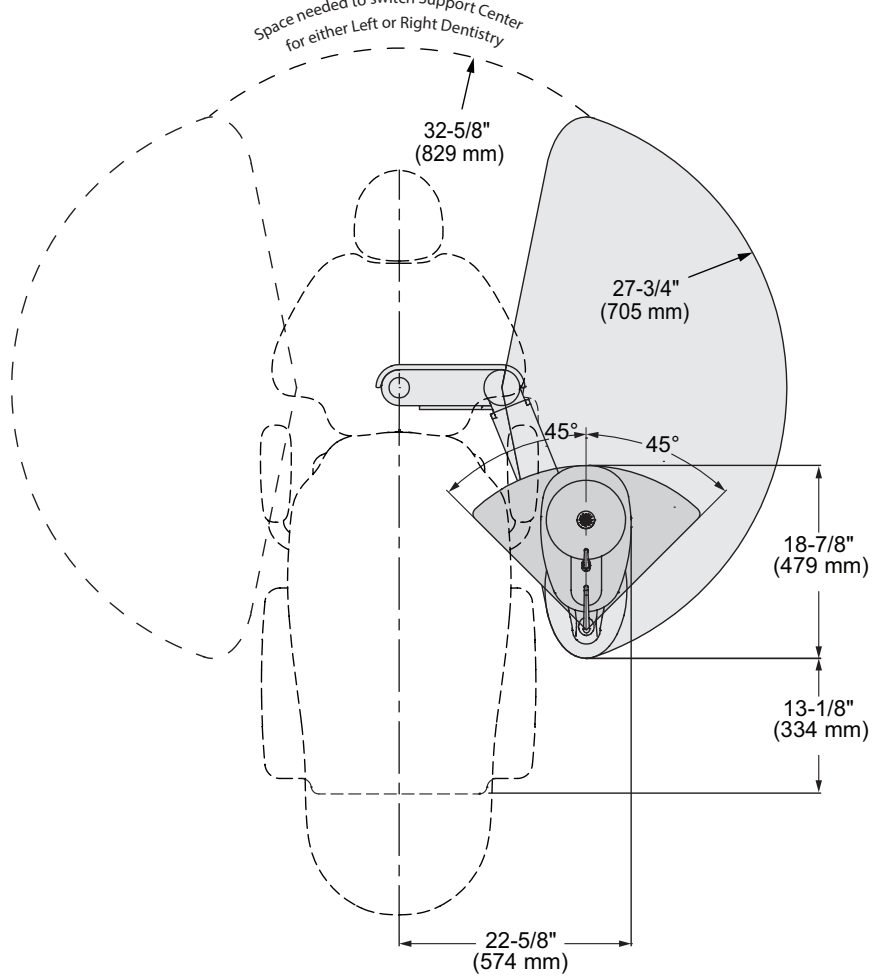
A-dec 551 Assistant's Instrumentation on 411 Dental Chair



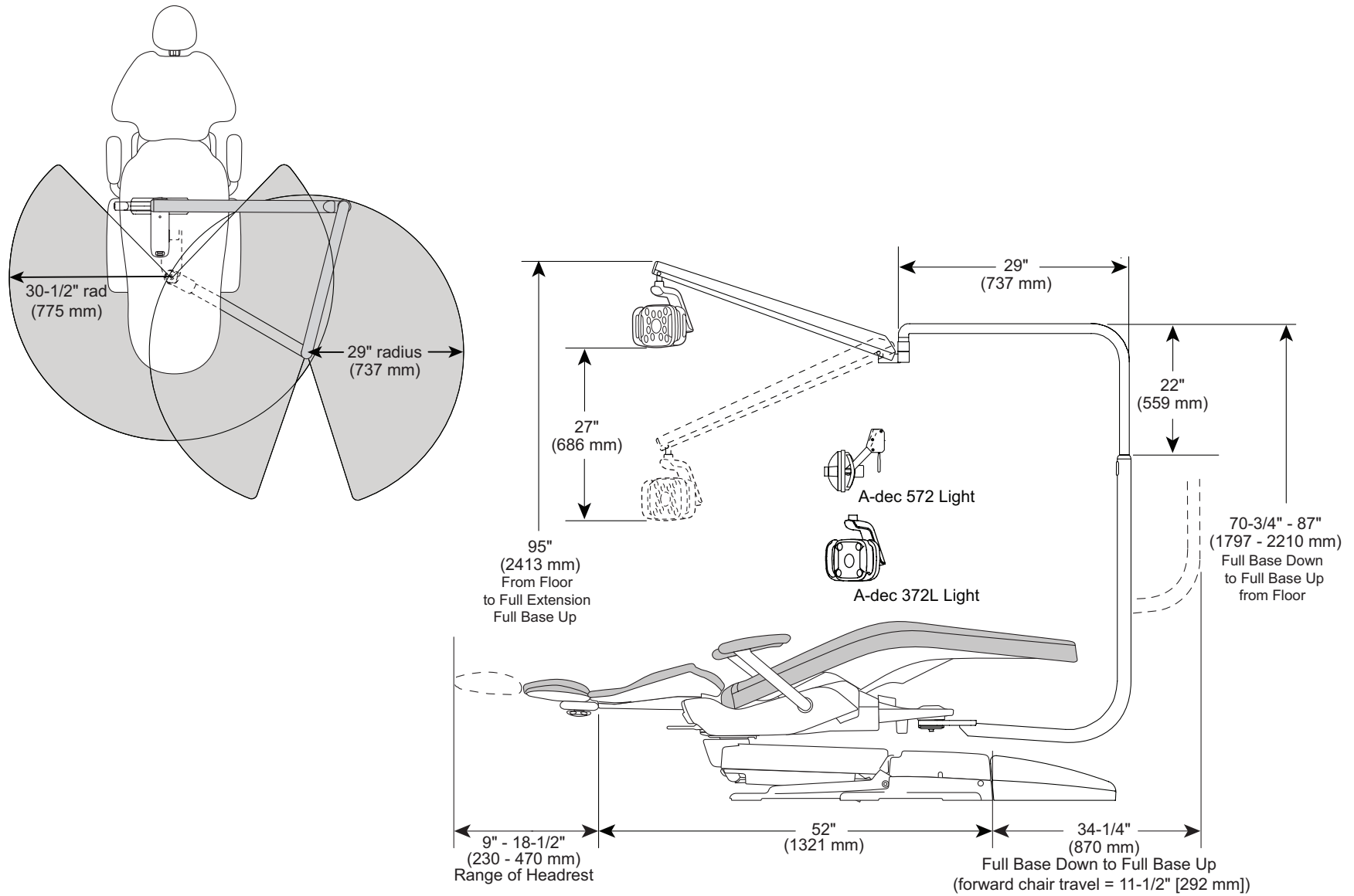
A-dec 351 Assistant's Instrumentation on a 411 Dental Chair



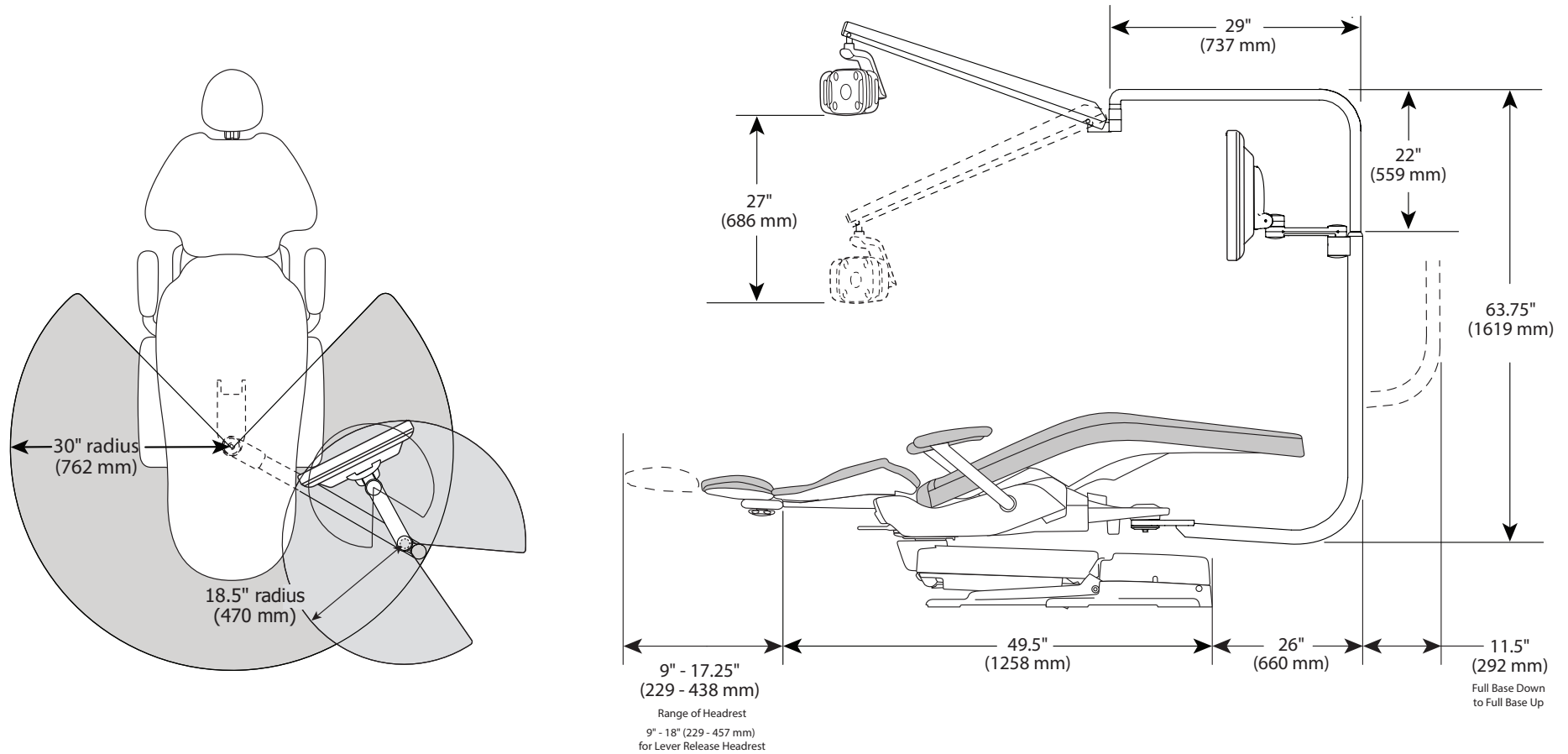
A-dec 461 Support Center and Cuspidor on 411 Dental Chair



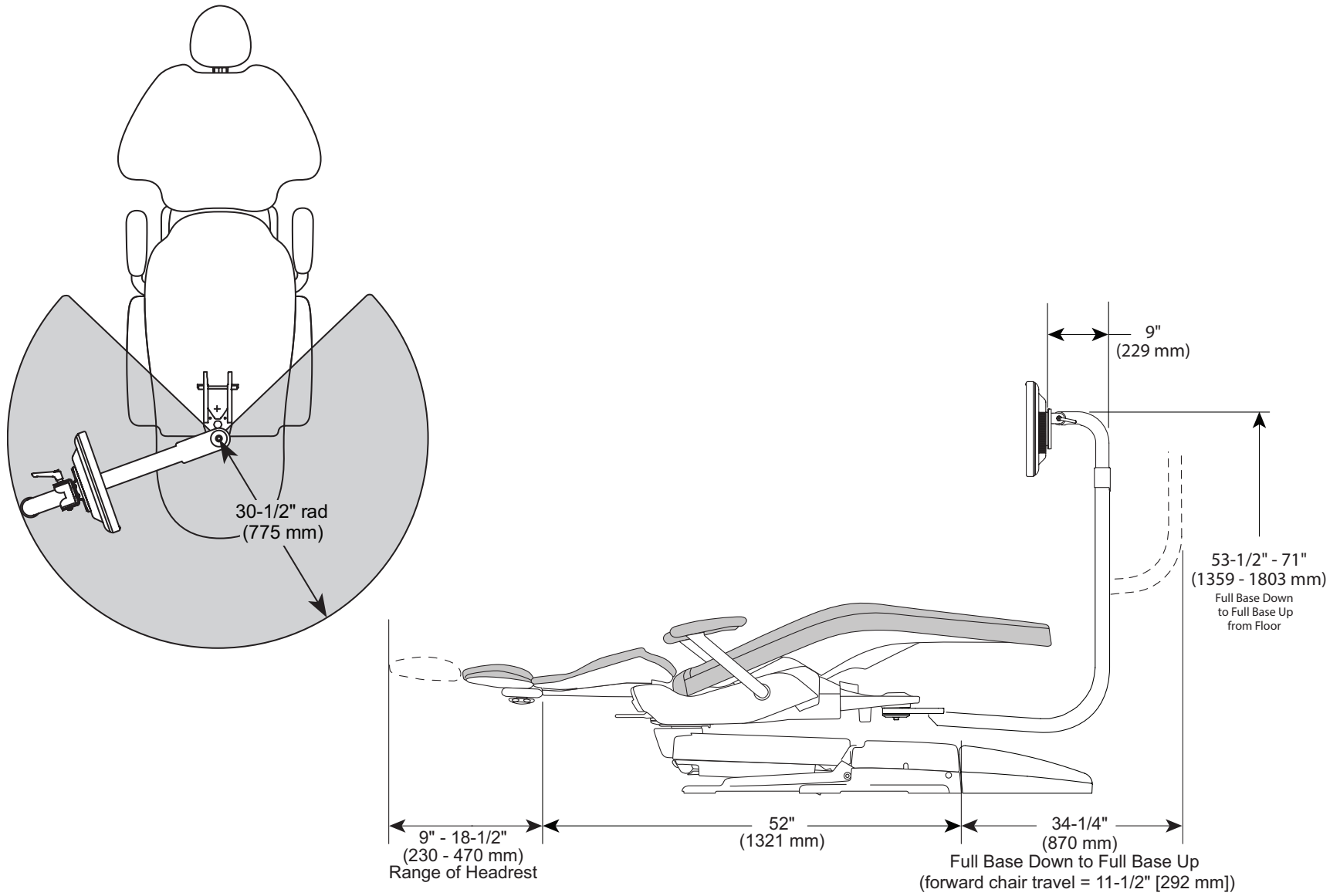
A-dec 572L/372L Dental Light on 411 Dental Chair



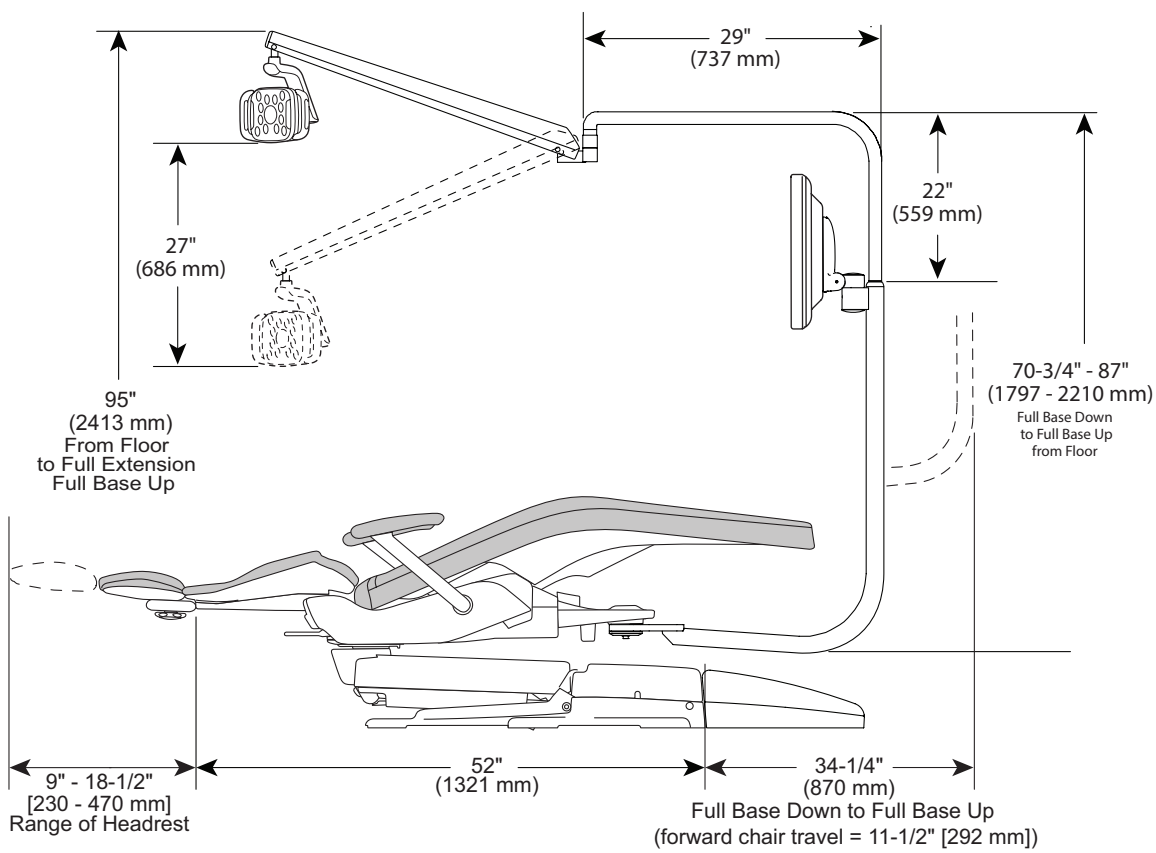
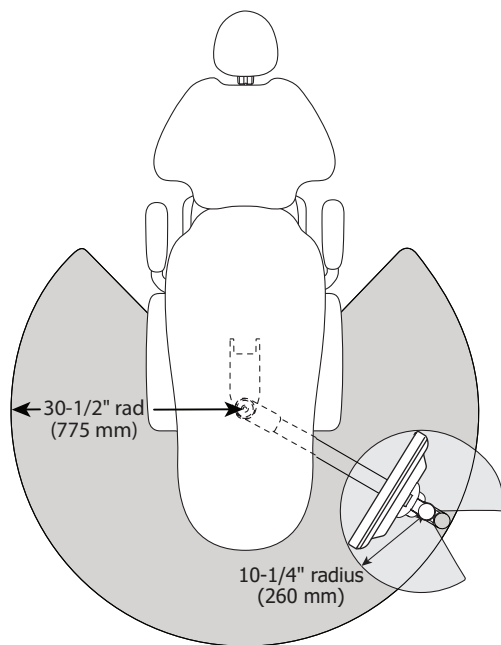
A-dec 482 Monitor Mount and 372L Dental Light on 411 Dental Chair



A-dec 382 Monitor Mount on 411 Dental Chair

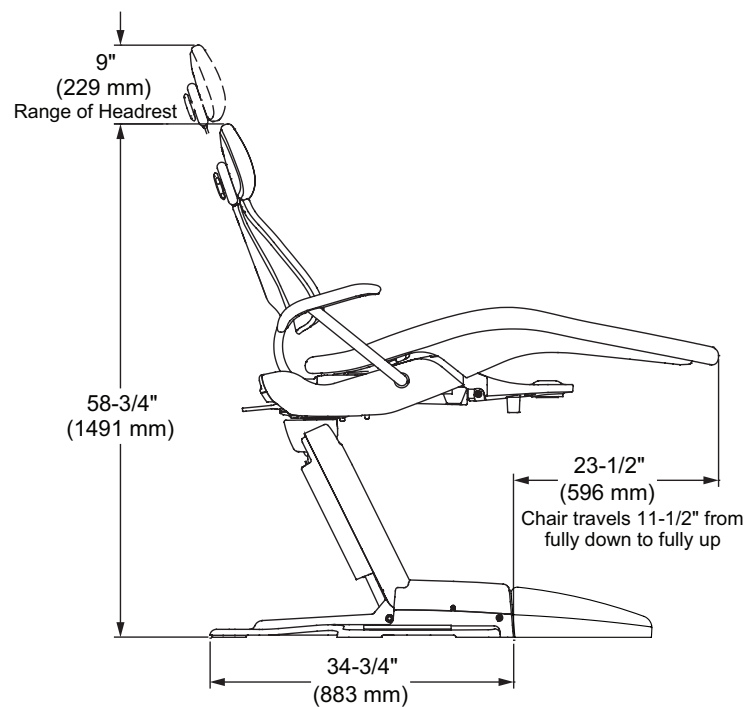
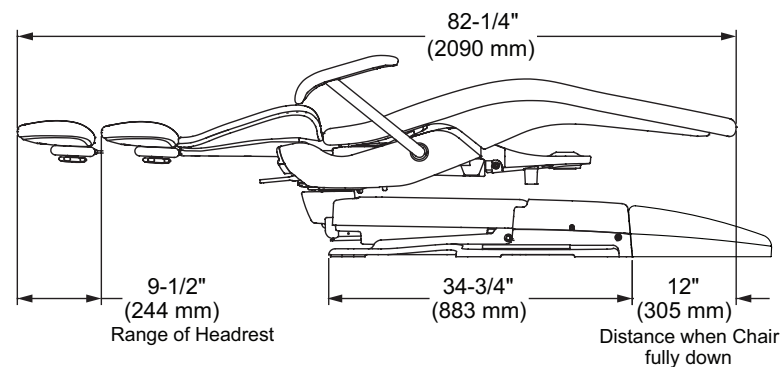
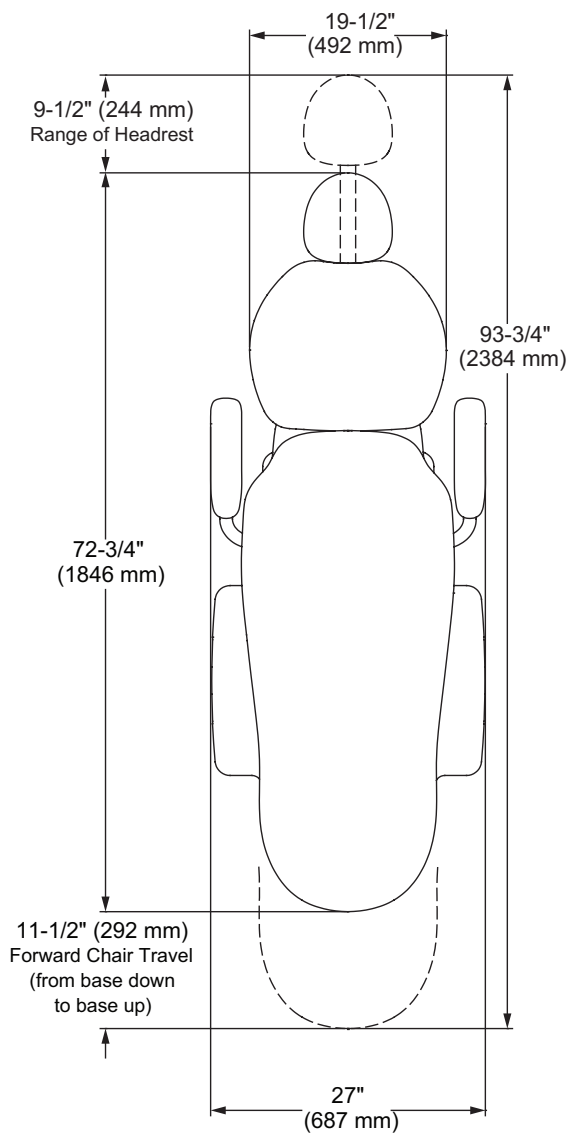


A-dec 382 Monitor Mount and 572L Dental Light on a 411 Dental Chair

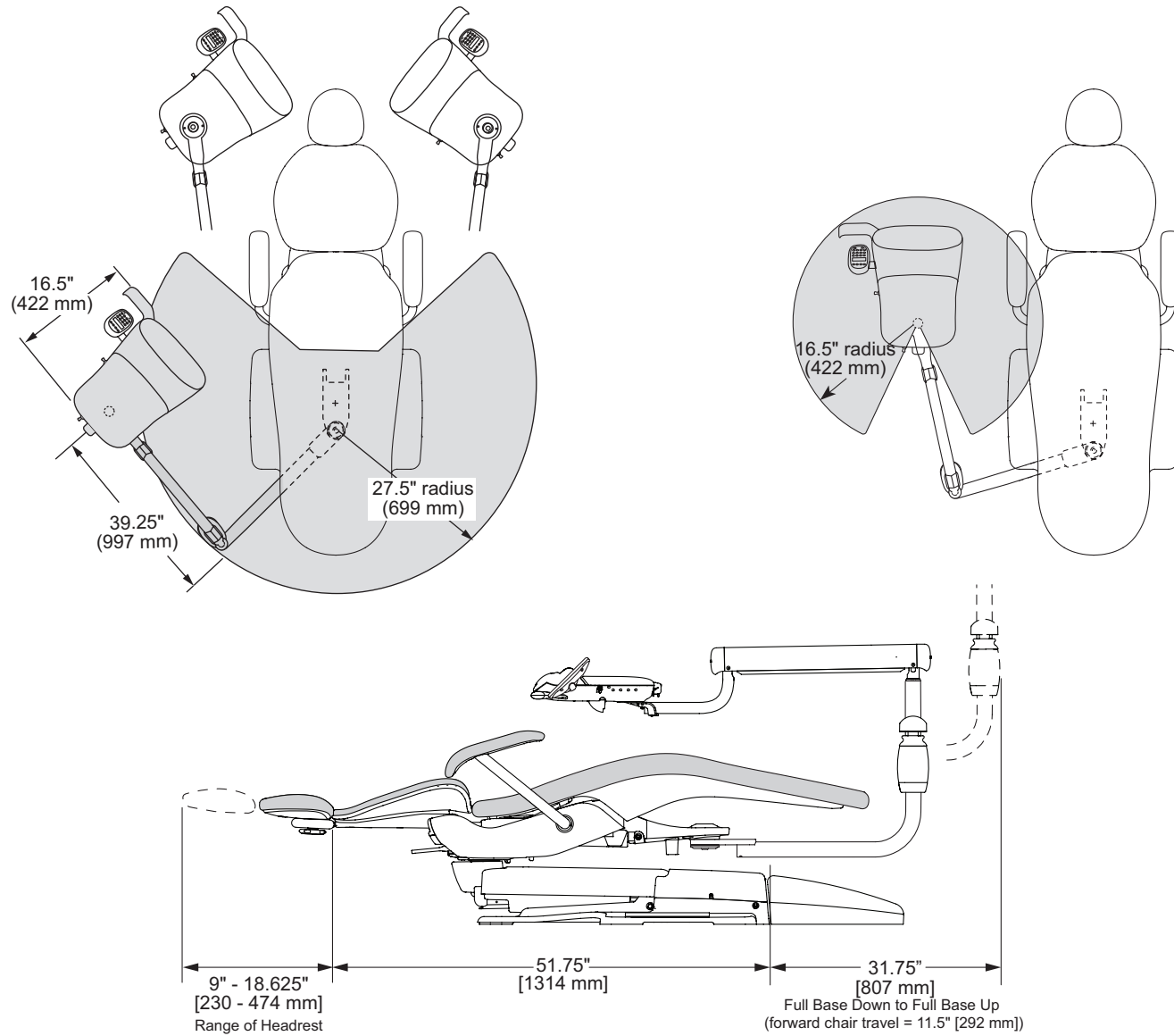


A-dec 300

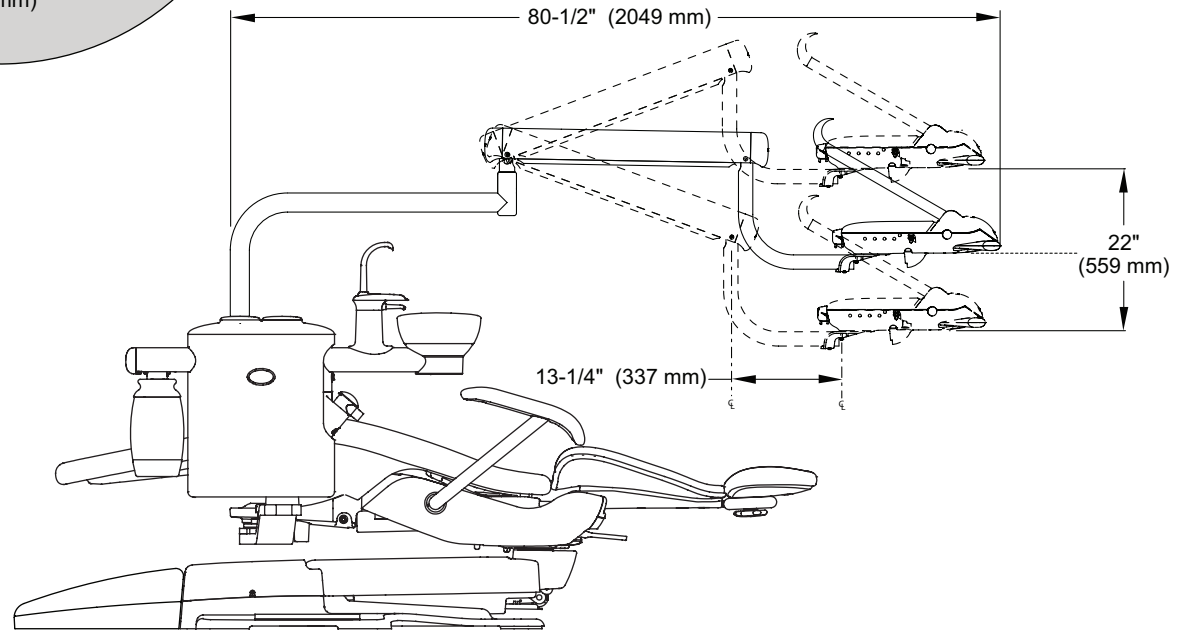
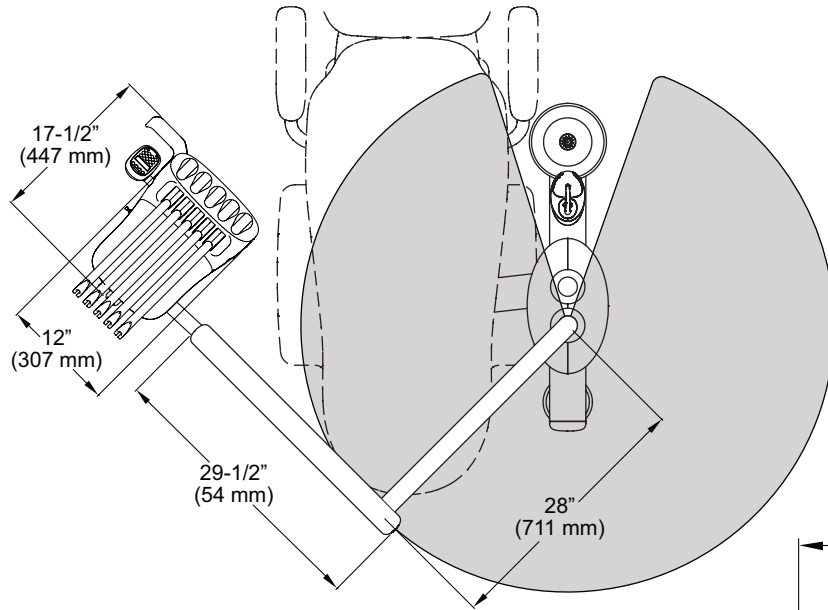
A-dec 311 Dental Chair



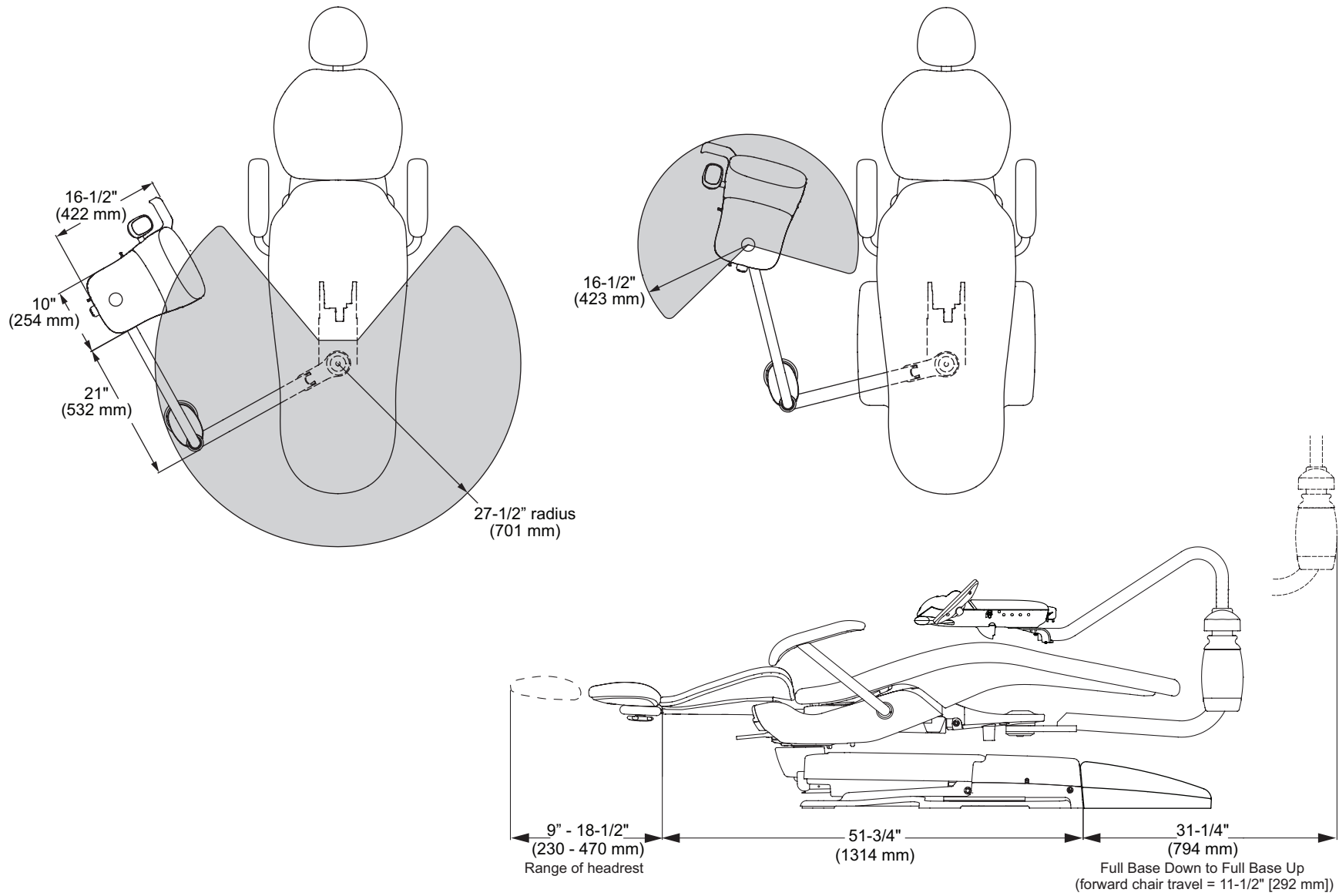
A-dec 332/333 Delivery System on 311 Dental Chair



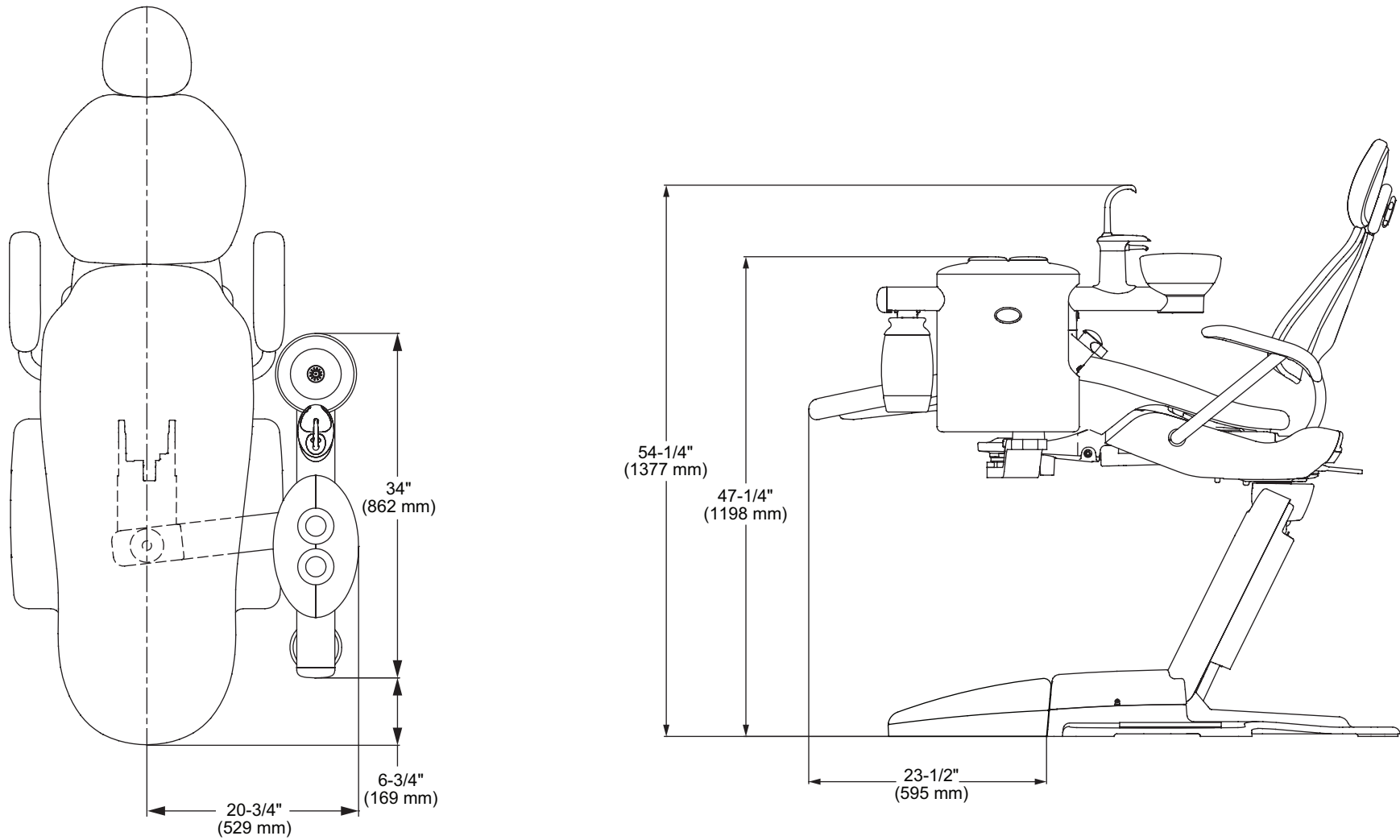
A-dec 334/335 Delivery System on 362 Support Center (Adaptor Mounted)



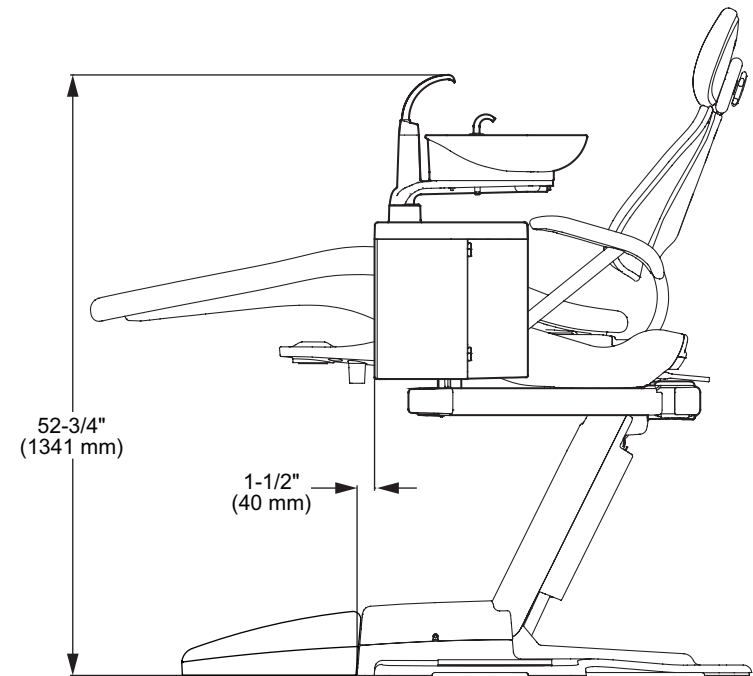
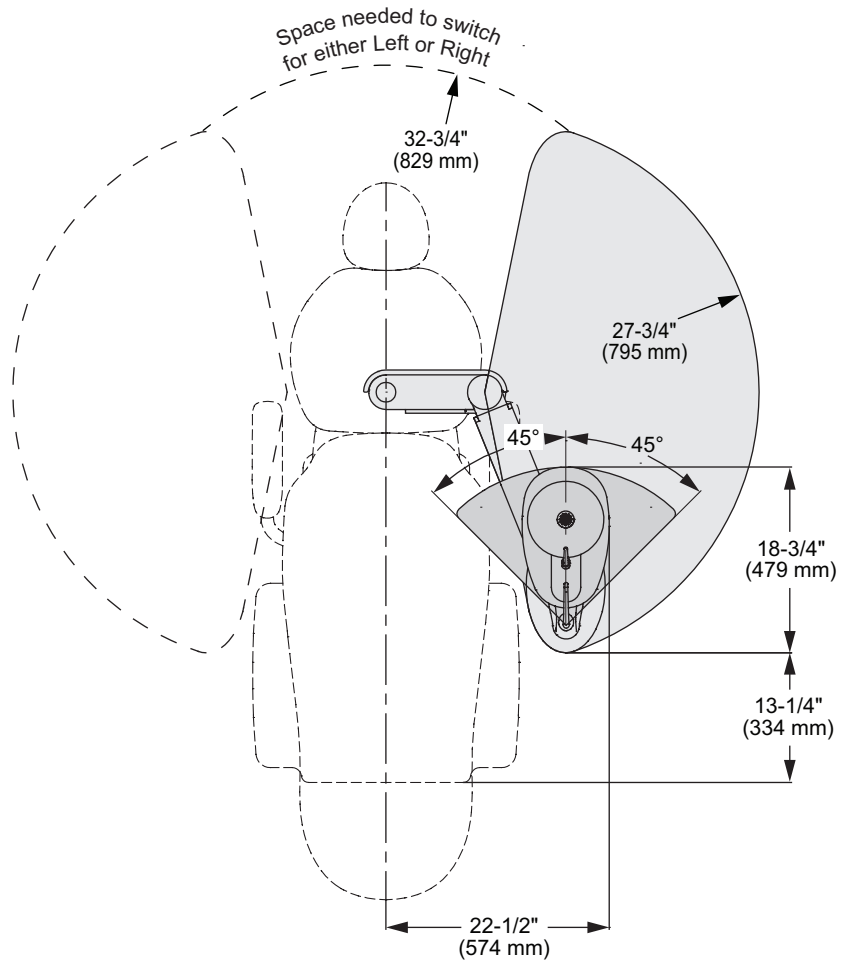
A-dec 336 Delivery System on 311 Dental Chair



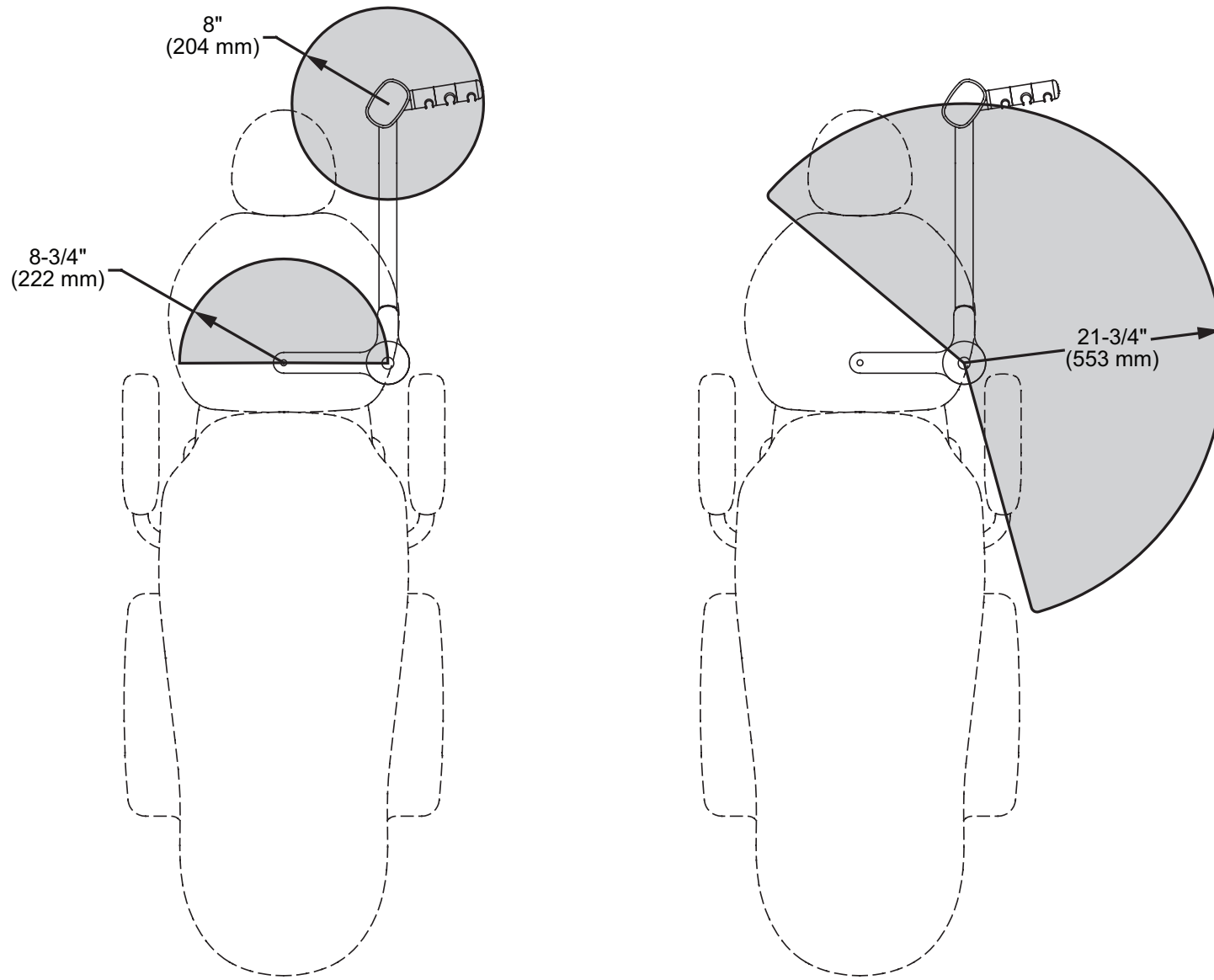
A-dec 362 Support Center and Cuspidor (Adaptor Mounted) on 311 Dental Chair



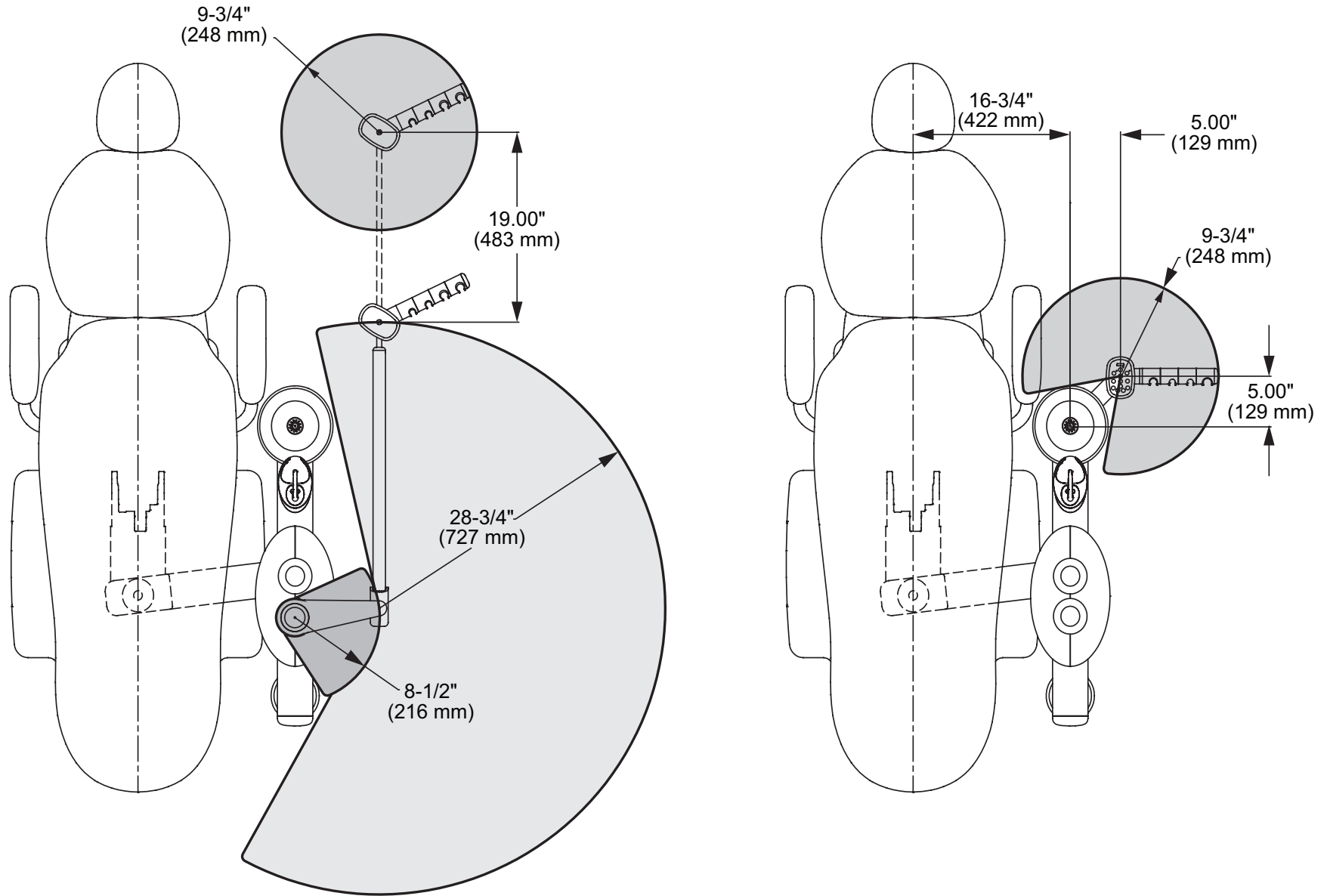
A-dec 461 Support Center and Cuspidor on 311 Dental Chair



A-dec 351 Assistant's Instrumentation on 311 B Dental Chair



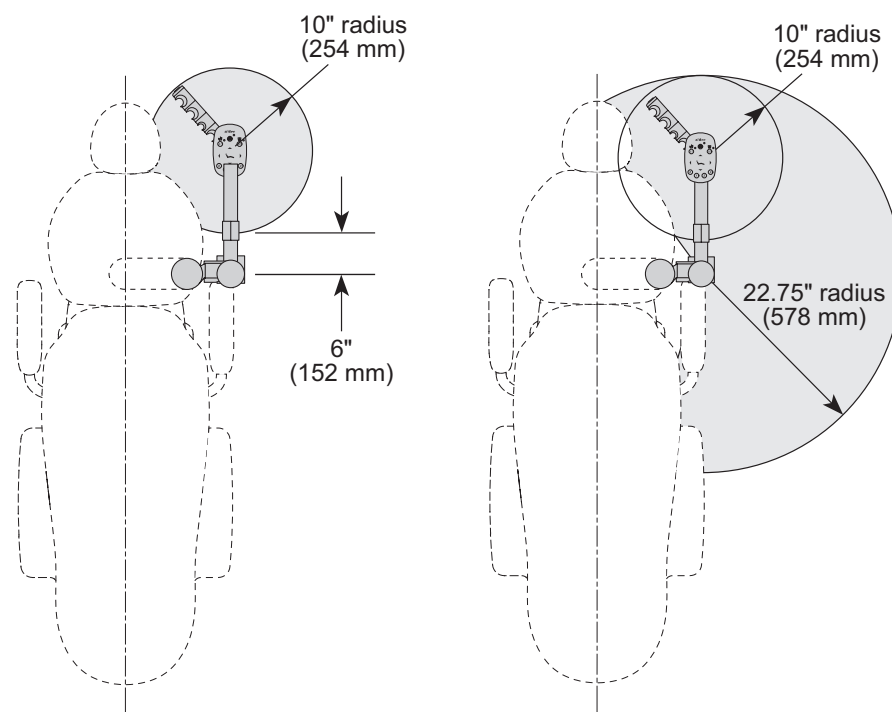
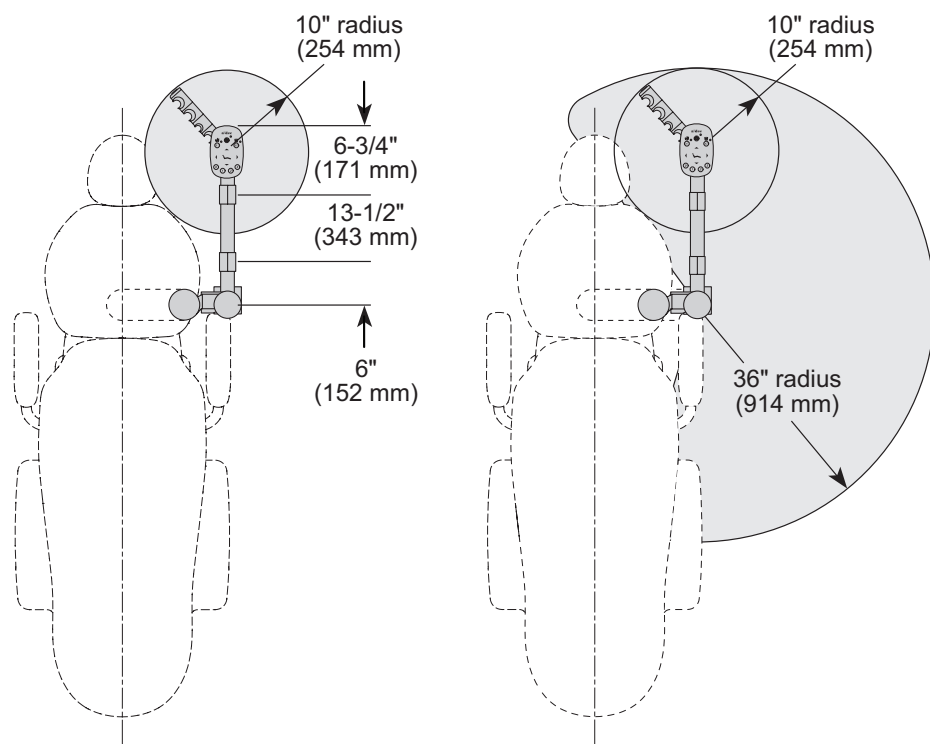
A-dec 352/353 Assistant's Instrumentation and 362 Support Center on 311 Dental Chair



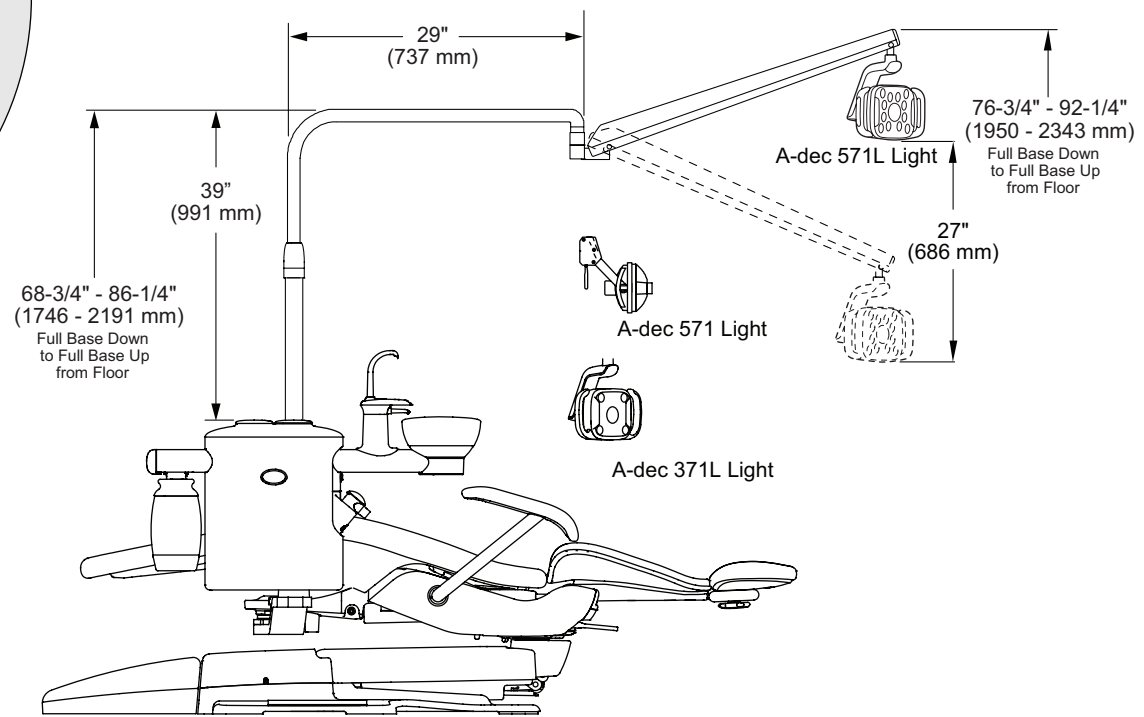
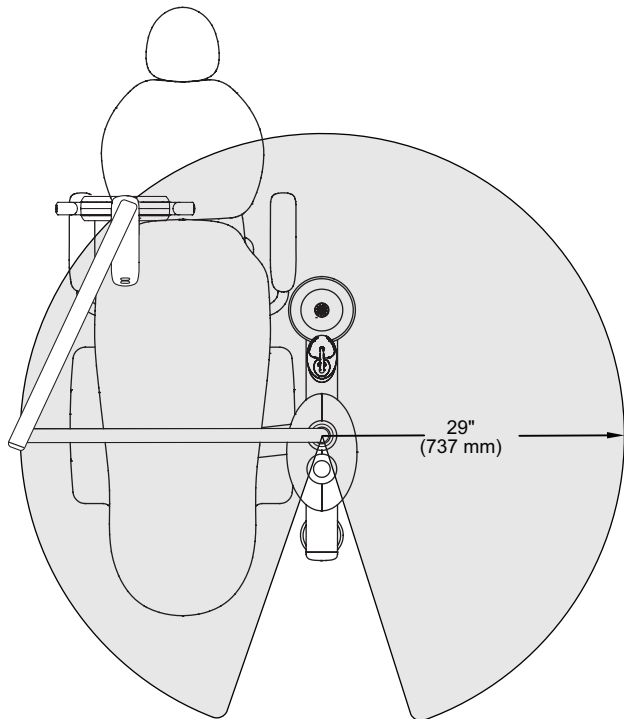
A-dec 551 Assistant's Instrumentation on 311 Dental Chair

Long Arm

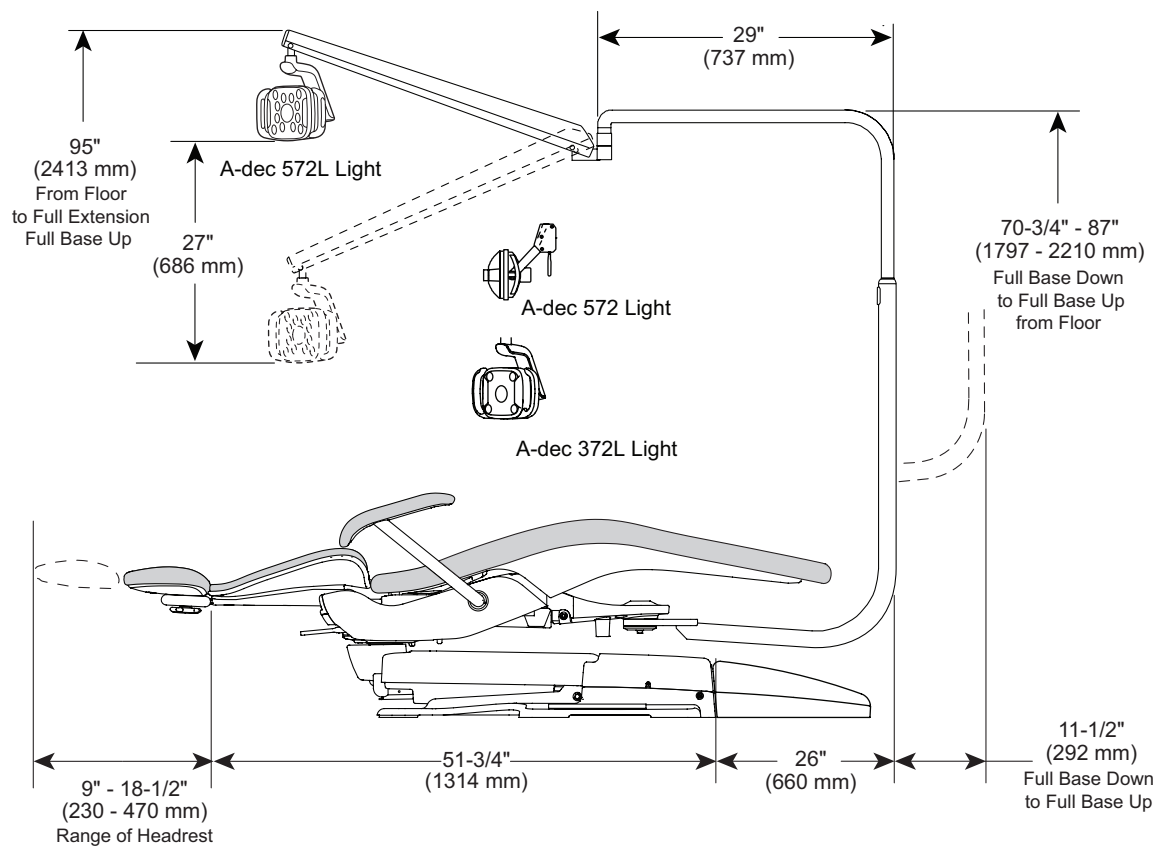
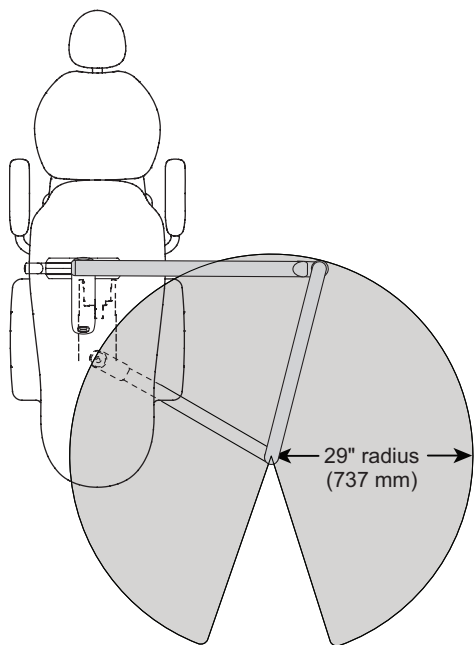
Short Arm



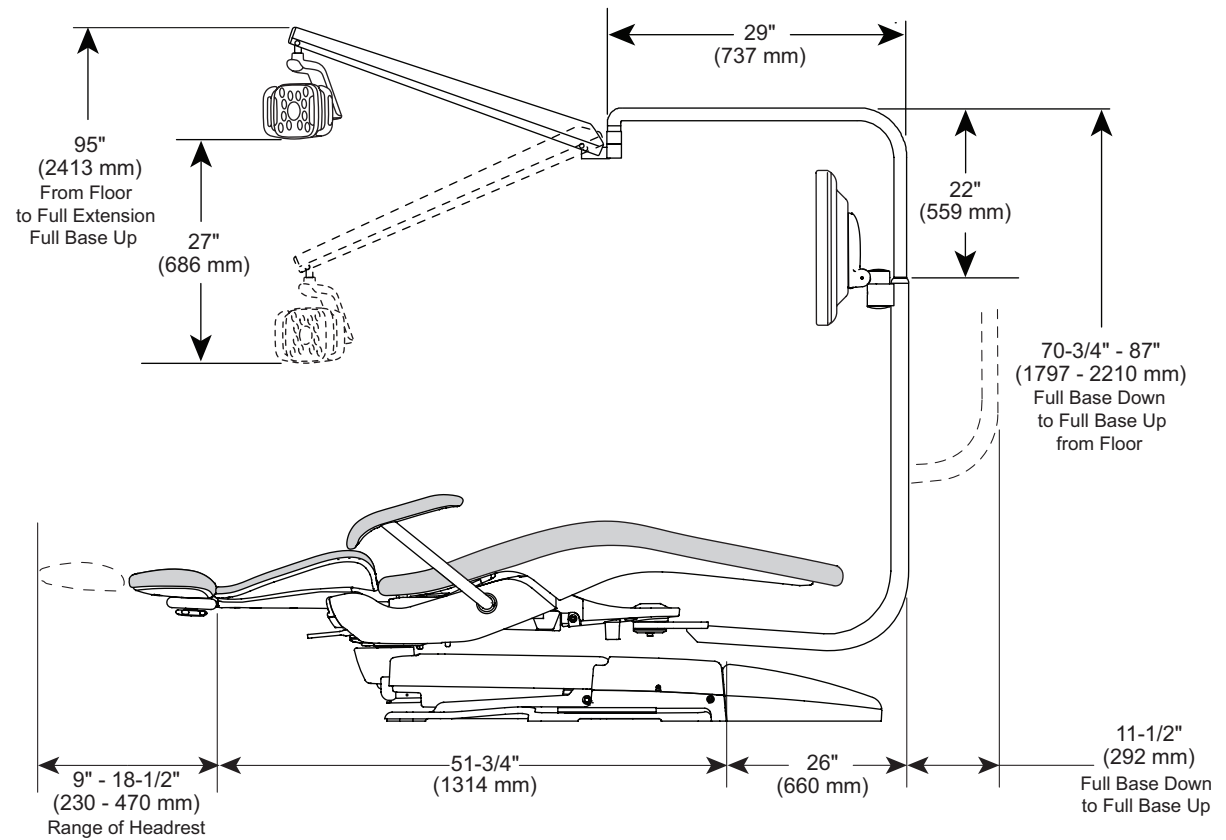
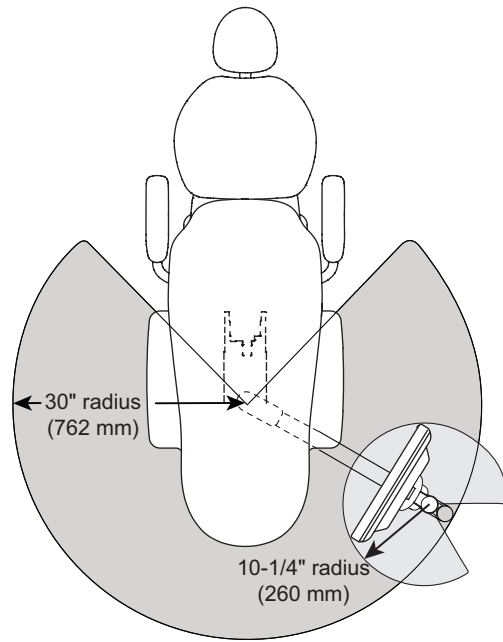
A-dec 571L/371L Dental Light and 362 Support Center on 311 Dental Chair



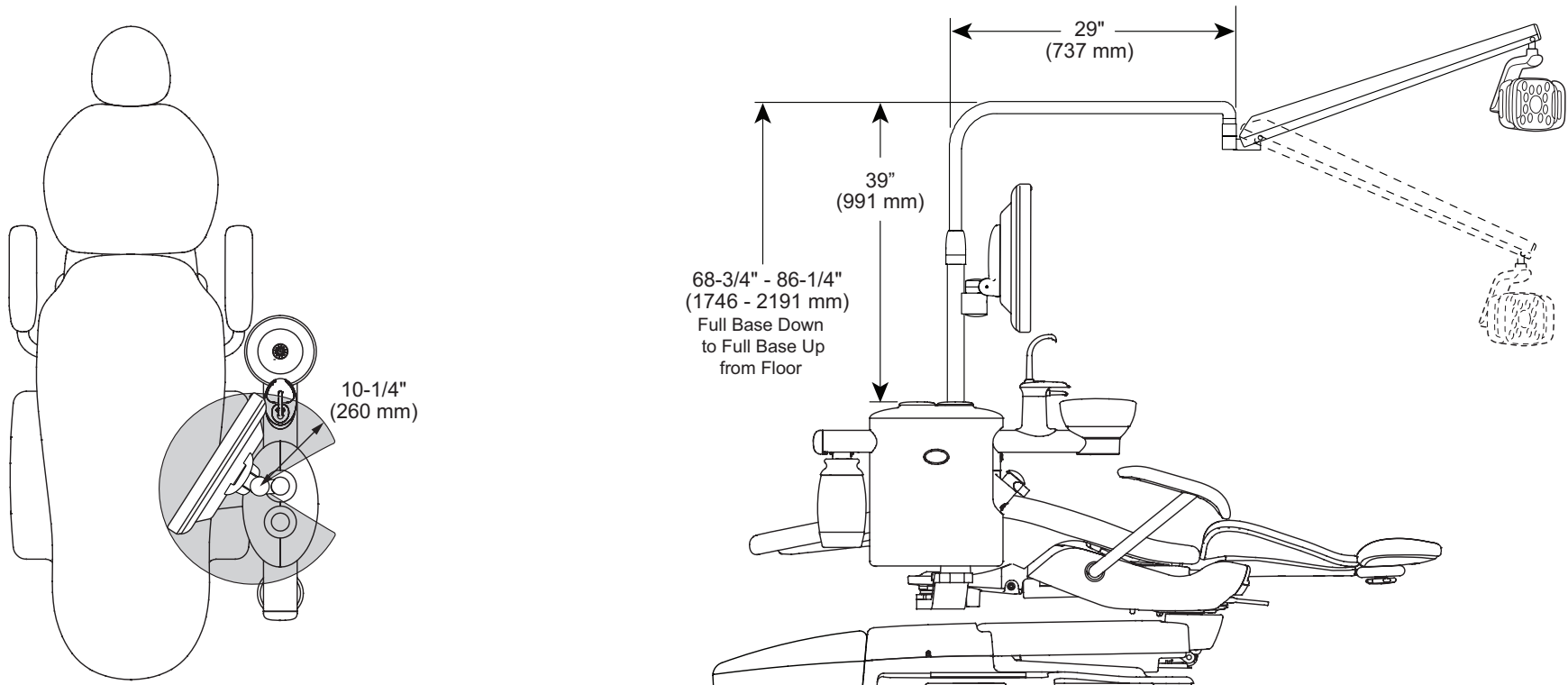
A-dec 572L/372L Dental Light on 311 Dental Chair



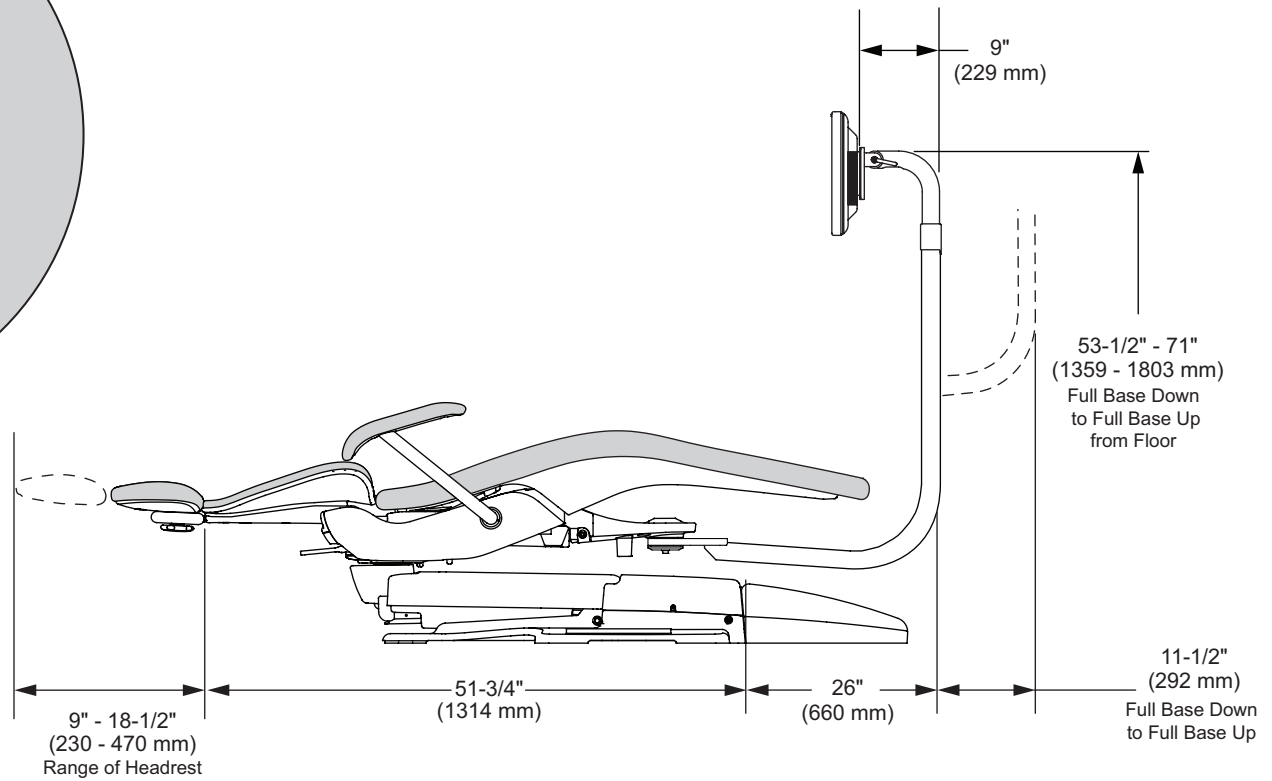
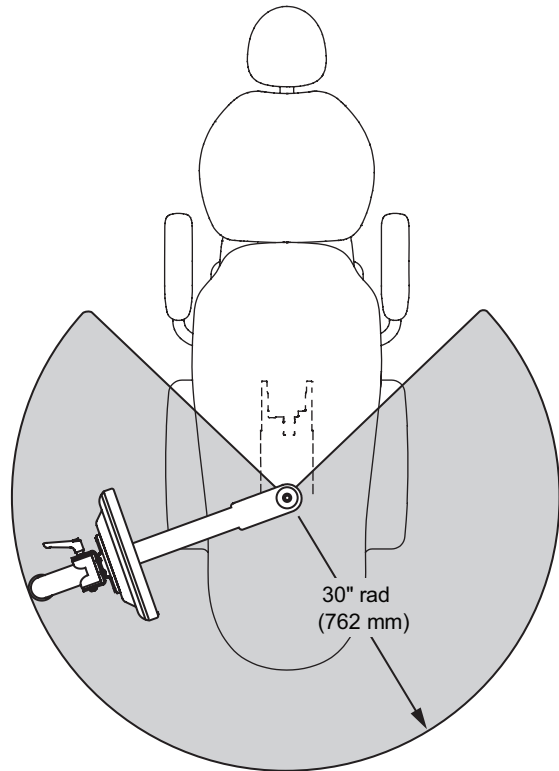
A-dec 381 Monitor Mount on 572L Dental Light on 311 Dental Chair



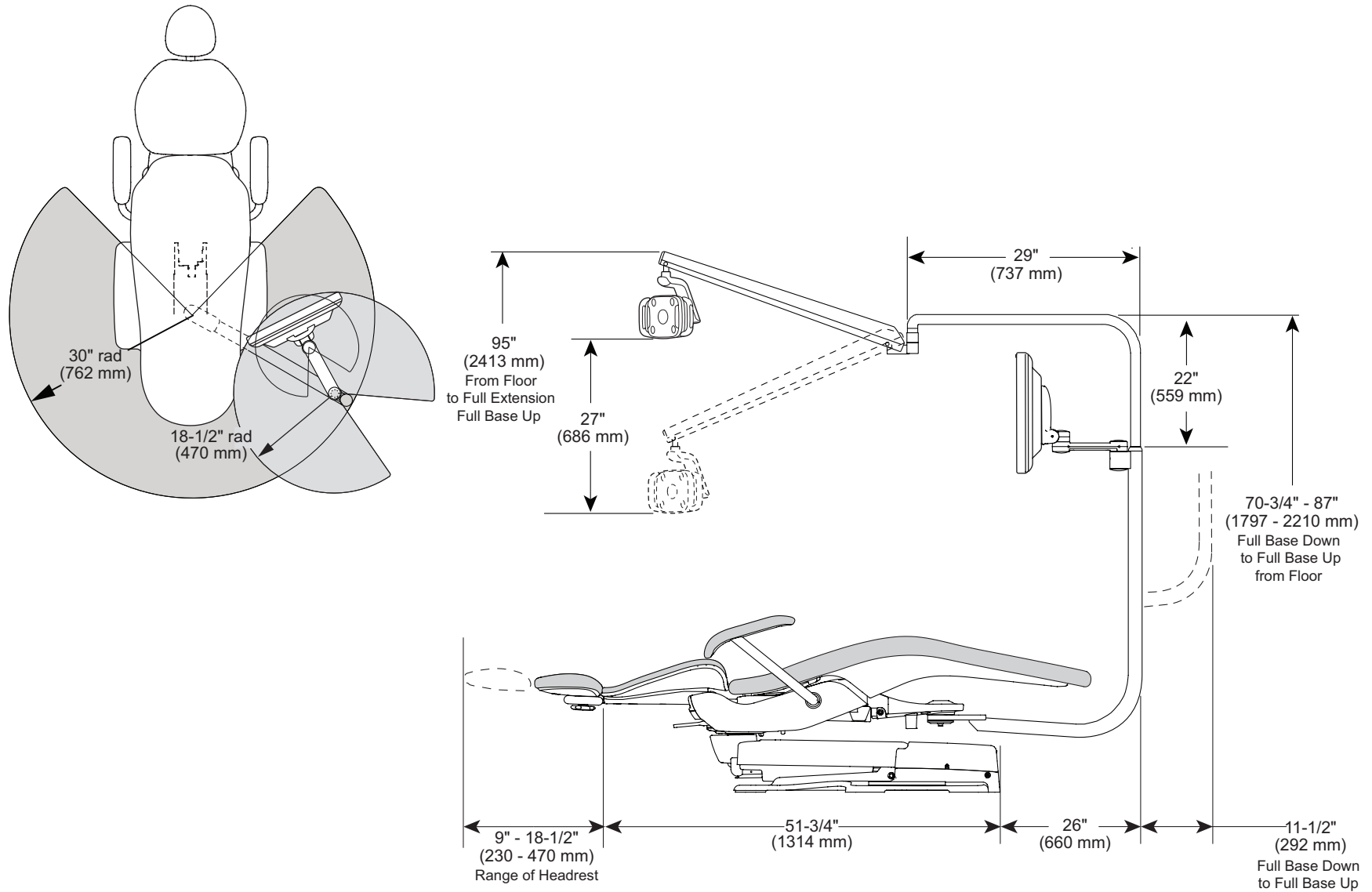
A-dec 381 Monitor Mount and 571L Dental Light and 362 Support Center on 311 Dental Chair



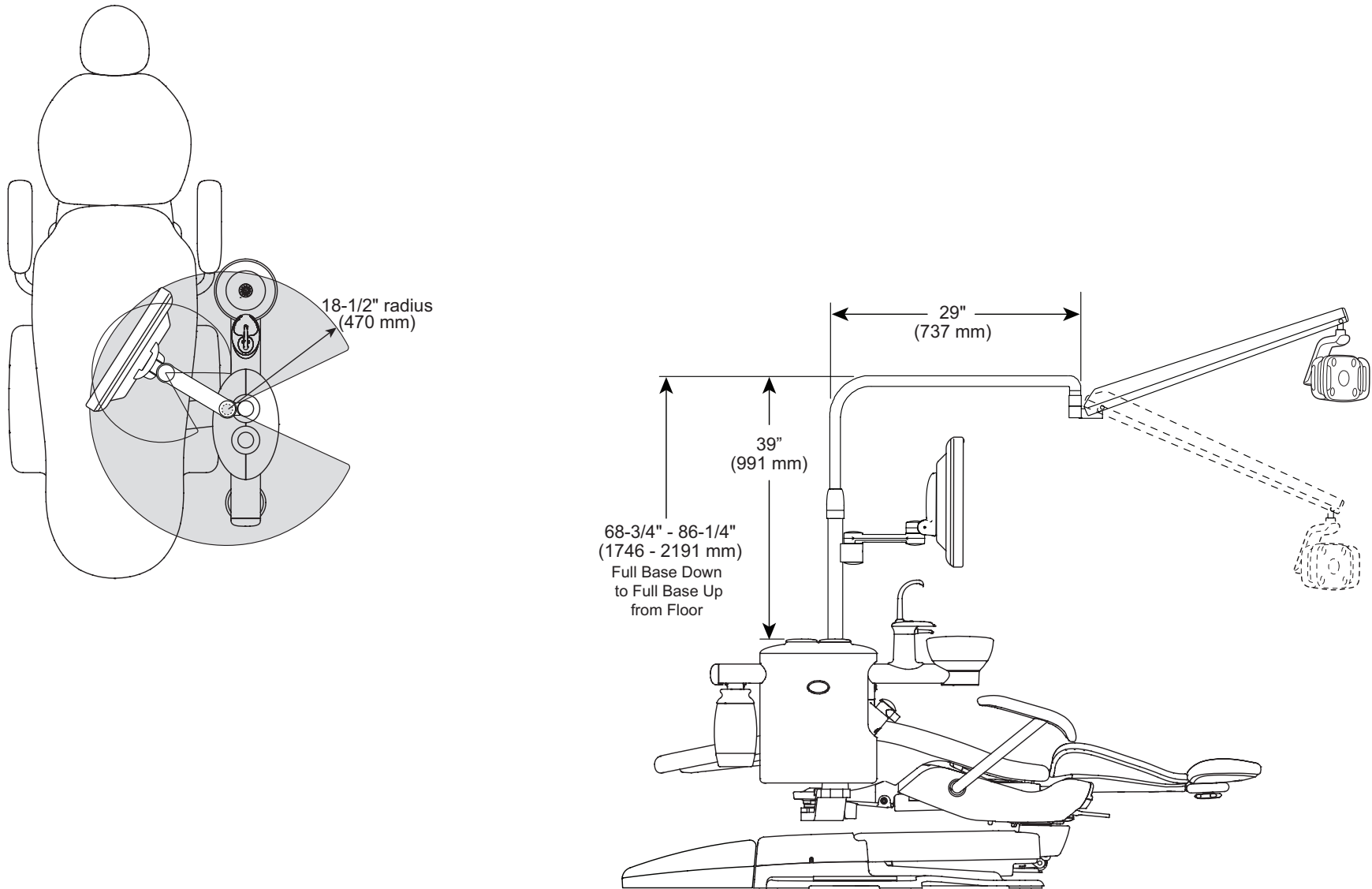
A-dec 382 Monitor Mount on 311 Dental Chair



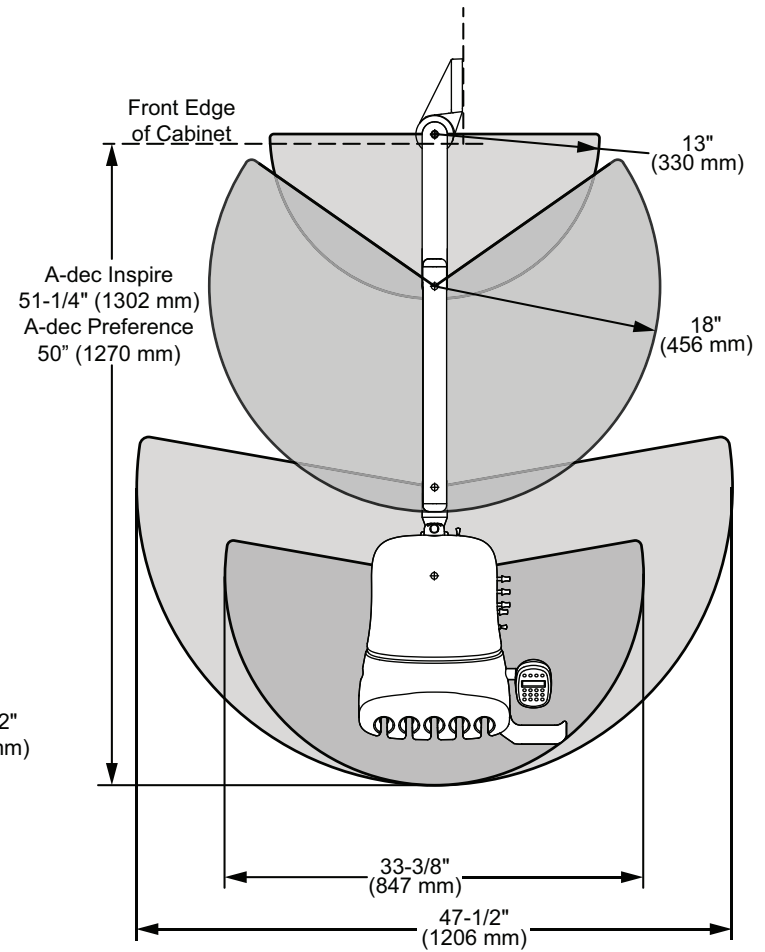
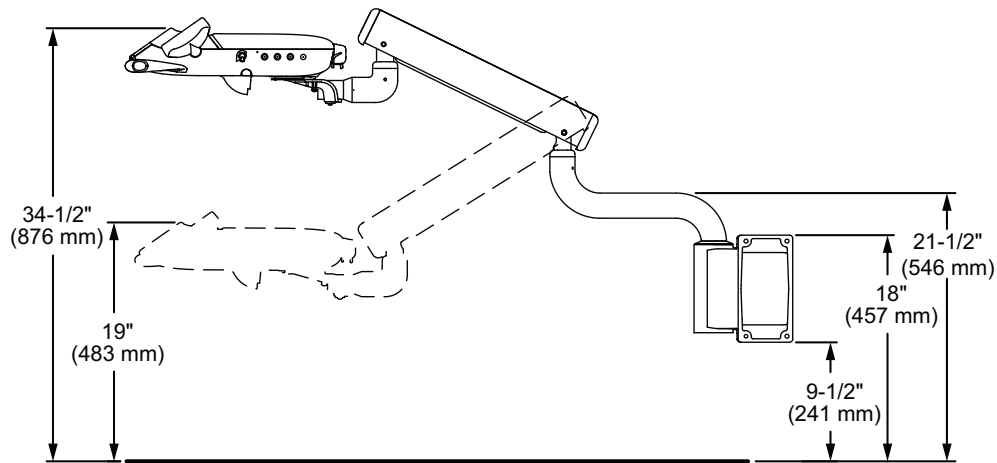
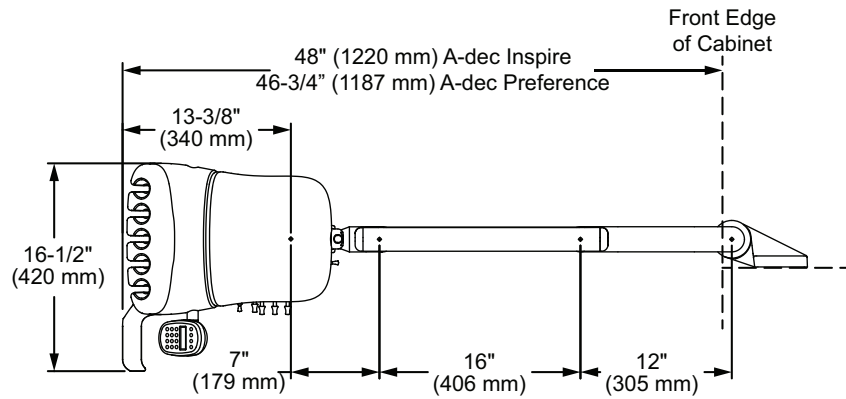
A-dec 482 Monitor Mount and 372L Dental Light on 311 Dental Chair



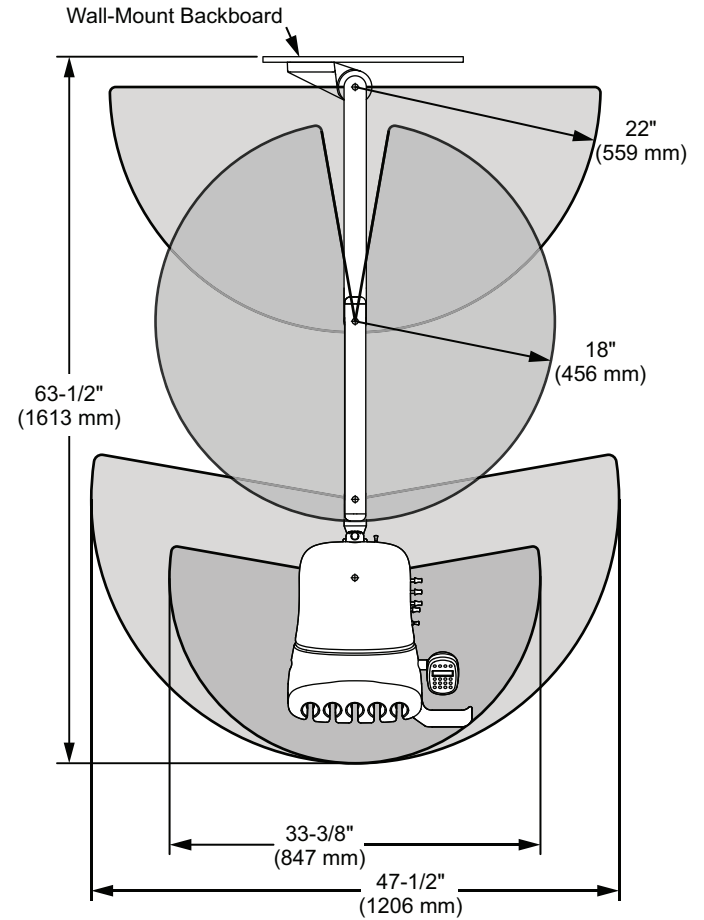
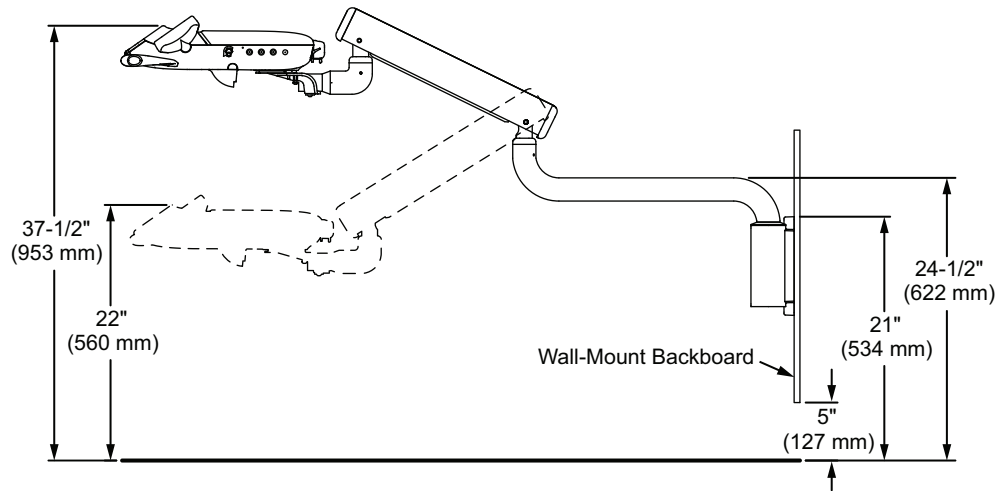
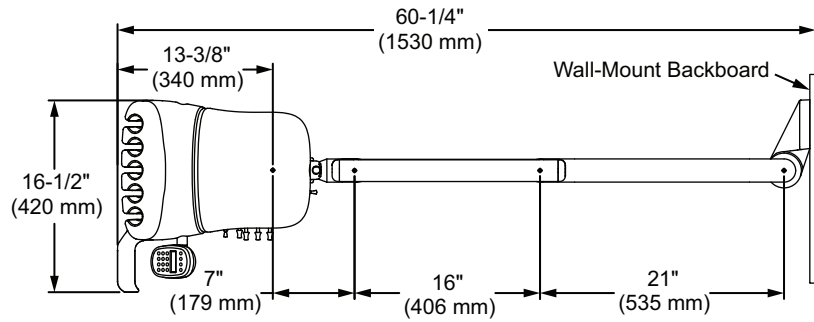
A-dec 482 Monitor Mount, 372L Dental Light, and 362 Support Center on 311 Dental Chair



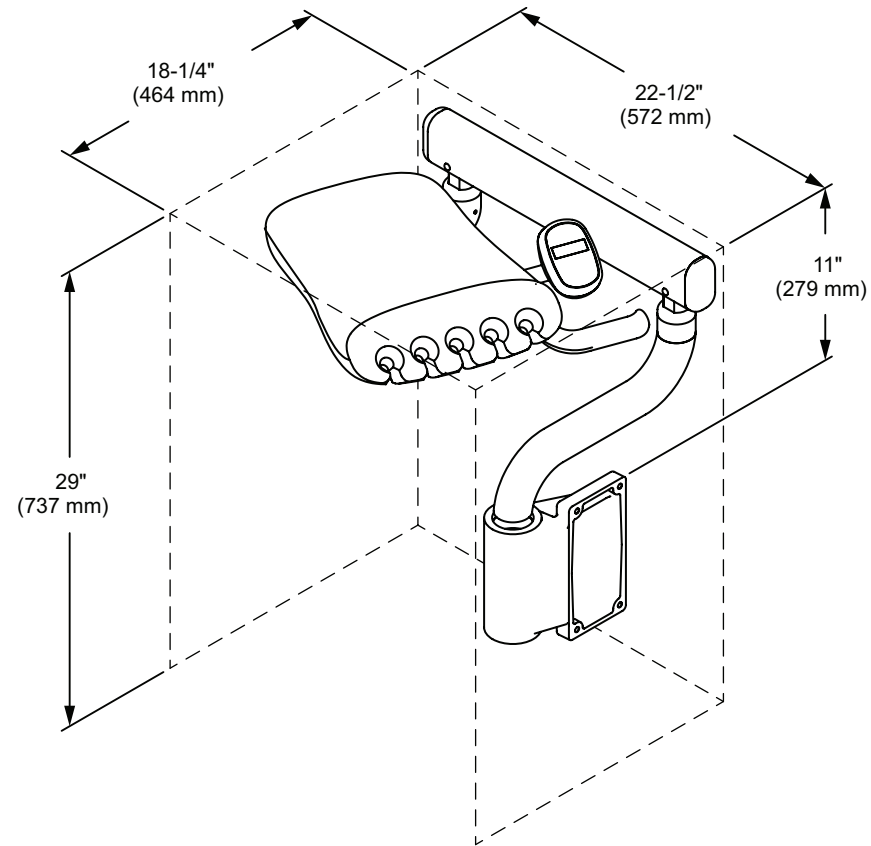
A-dec 342 Delivery System Cabinet-Mount



A-dec 342B Delivery System Wall-Mount

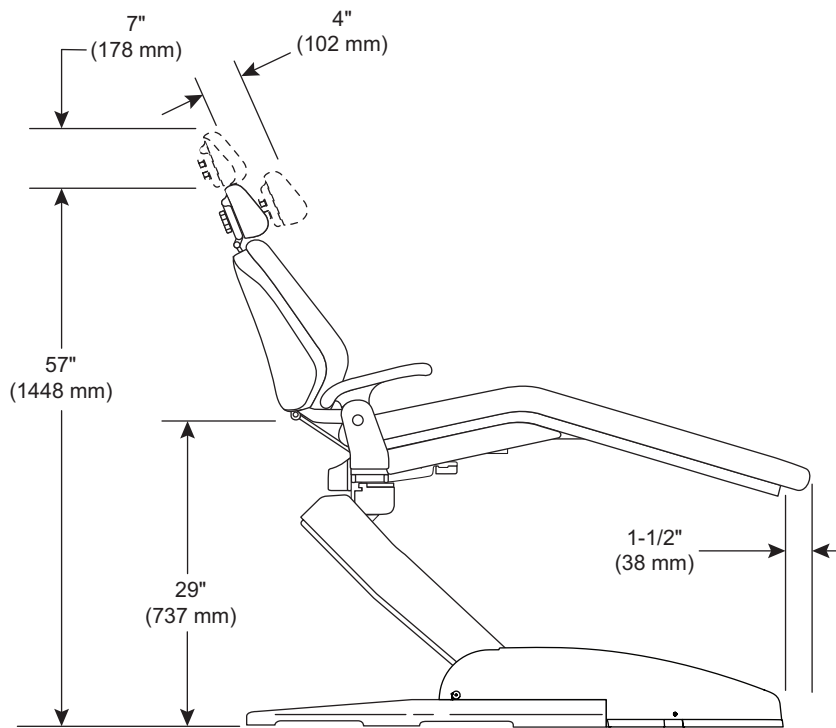
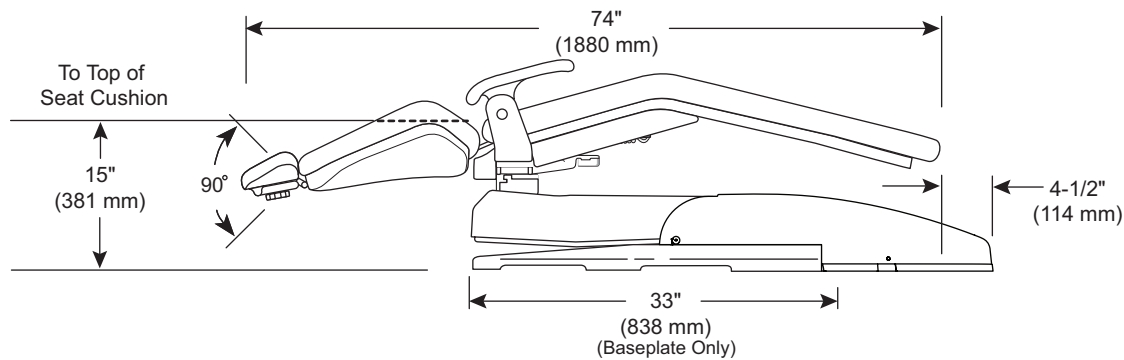
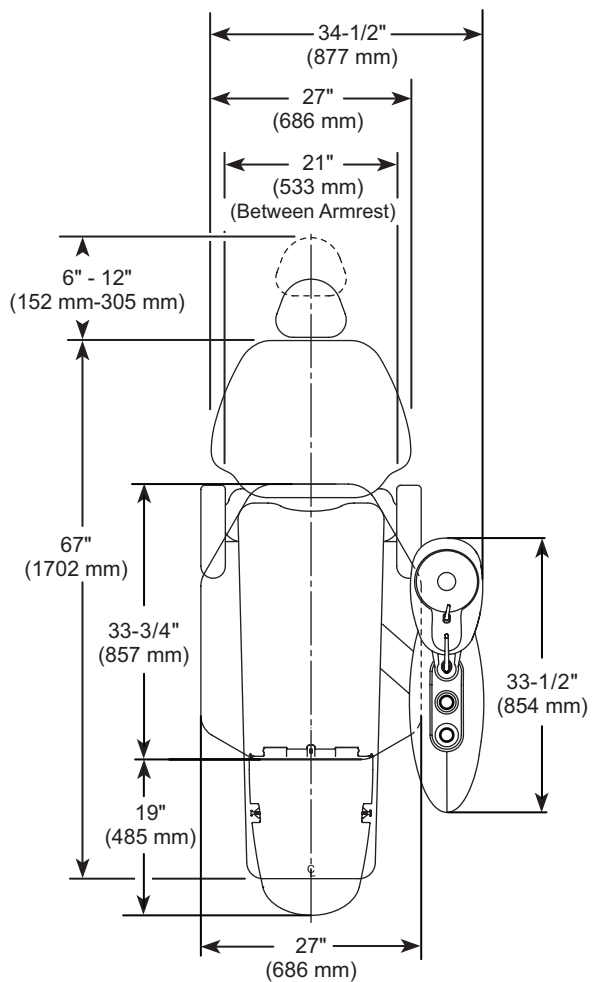


A-dec 342 Delivery System Cabinet and Wall-Mount Clearance

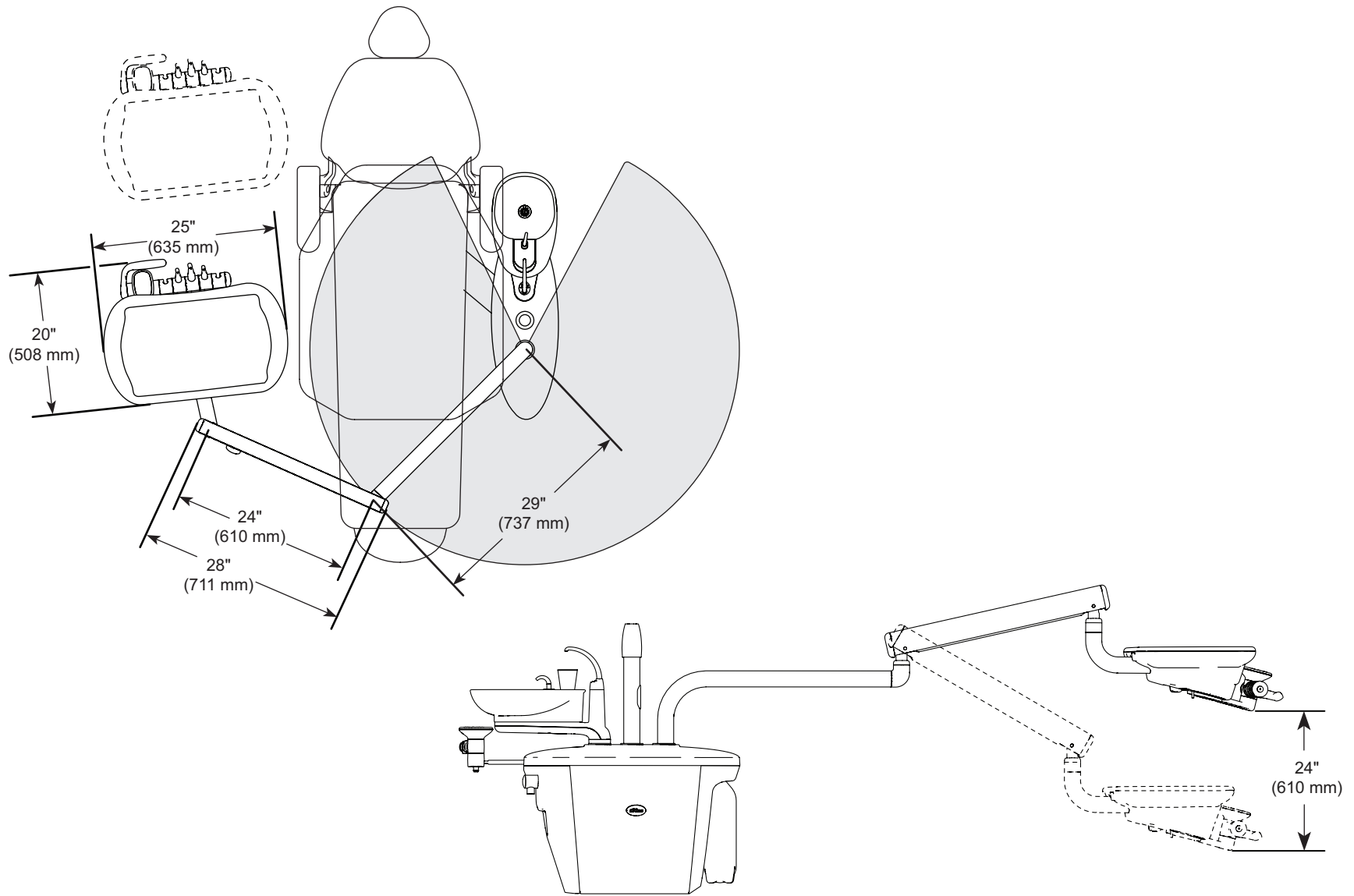


A-dec 200

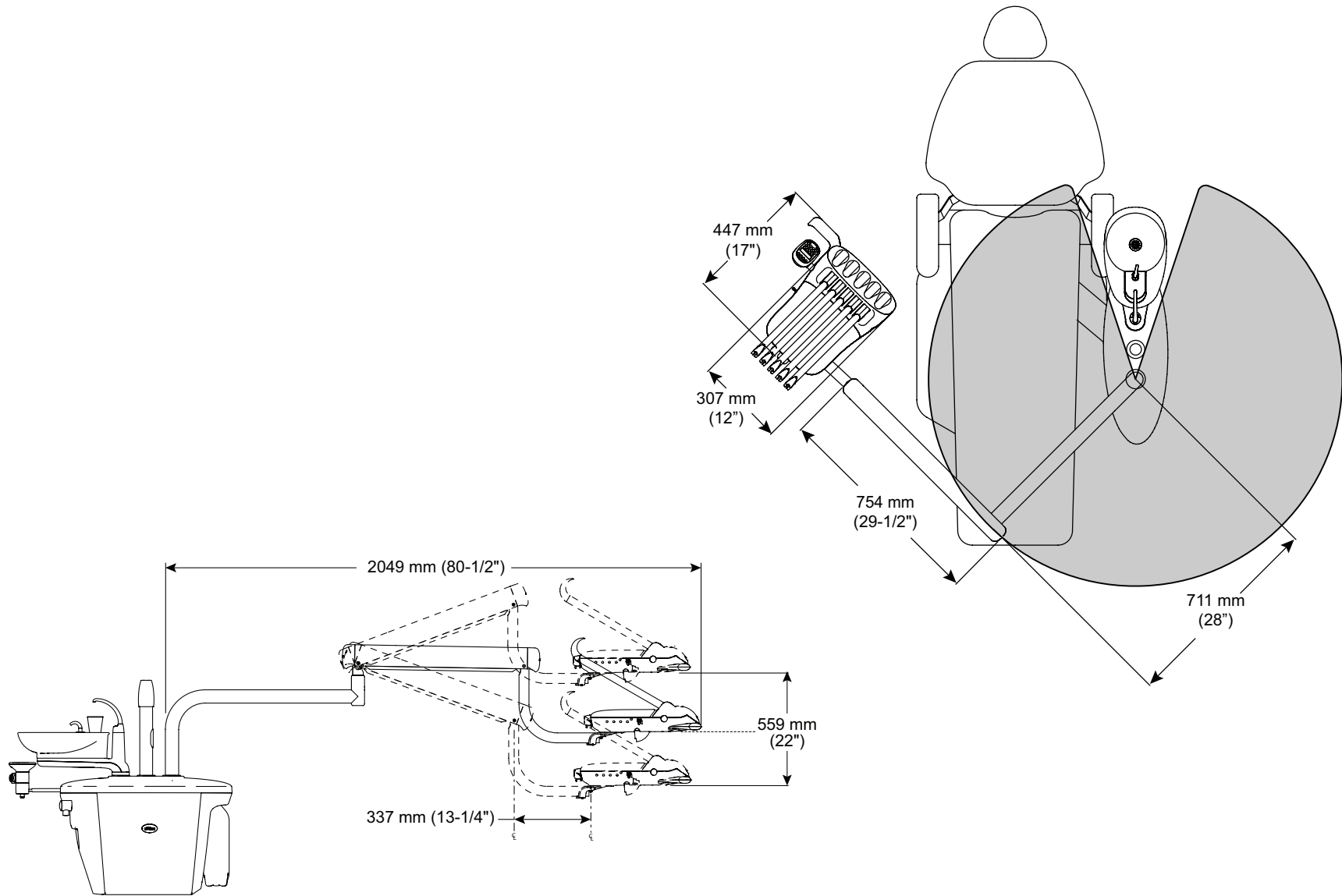
A-dec 200 Dental Chair



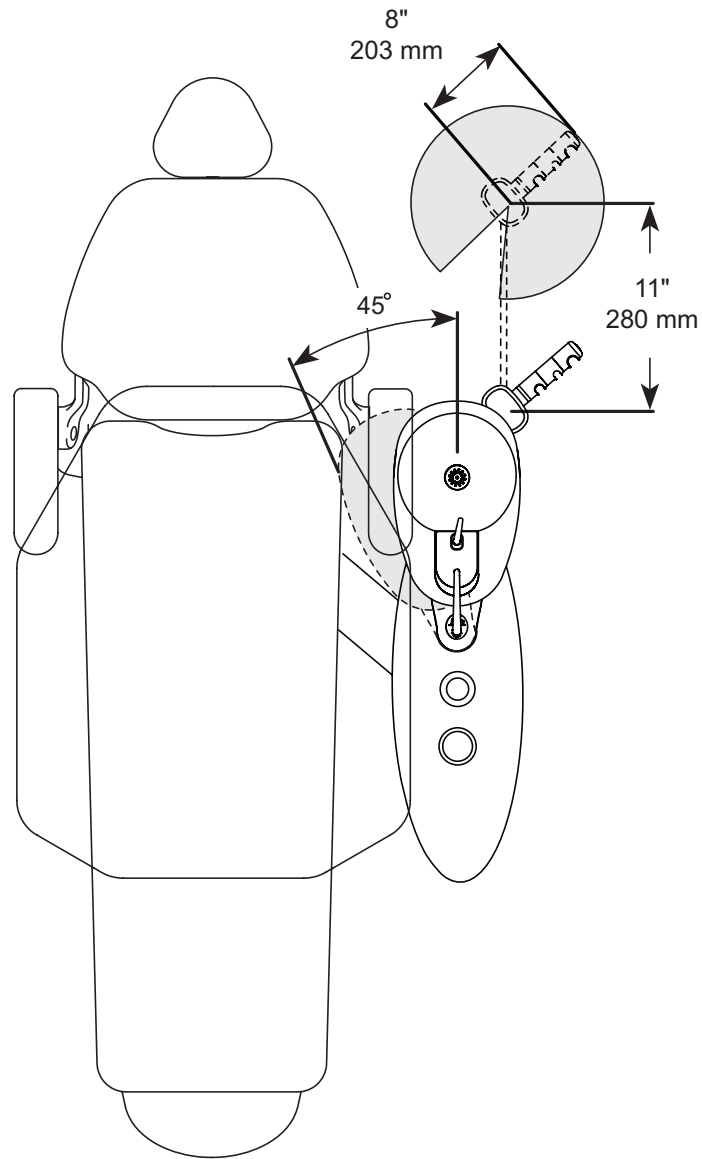
A-dec 200 Delivery System on 200 Dental Chair



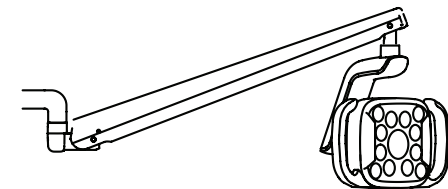
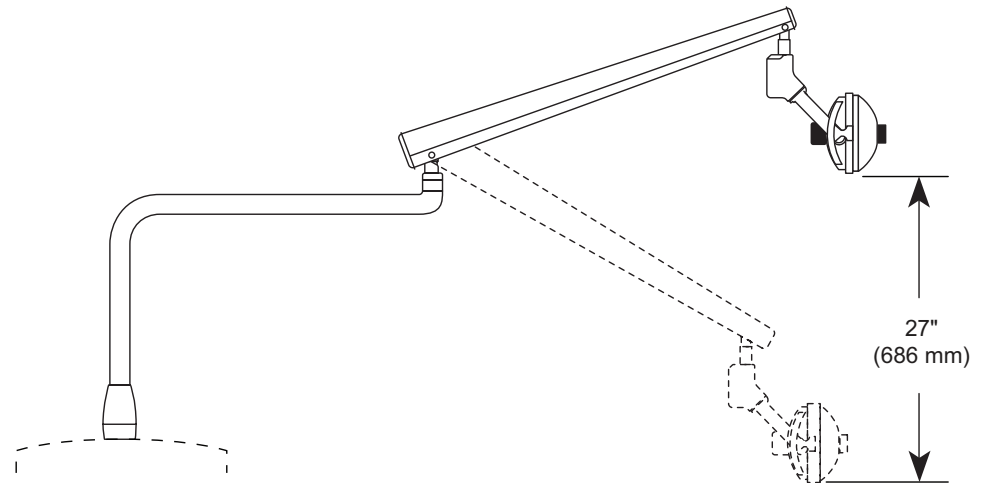
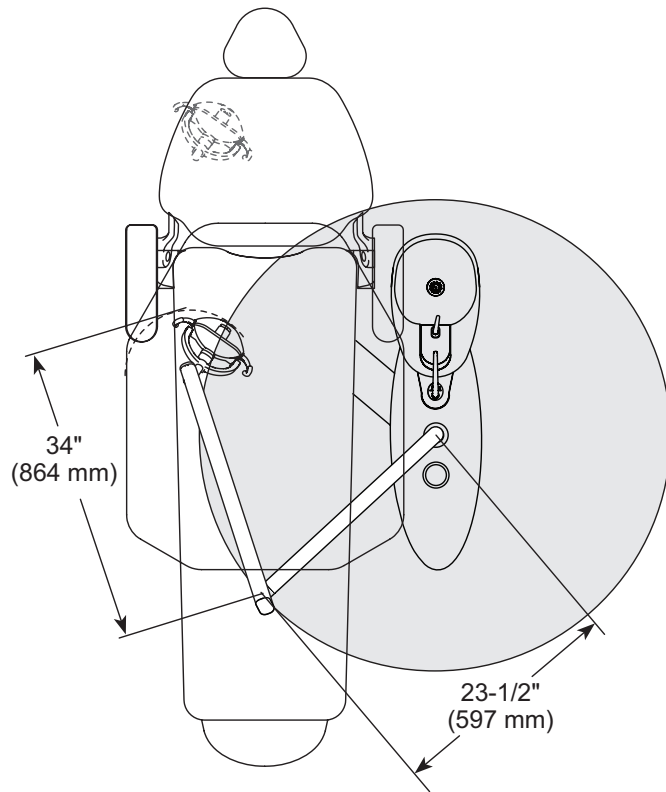
A-dec 334/335 Delivery System on 200 Dental Chair



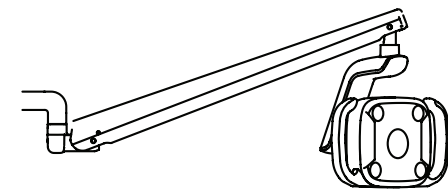
A-dec 200 Support Center, Cuspidor, and Assistant's Instrumentation on 200 Dental Chair



A-dec 200/571L/371L Dental Light on 200 Dental Chair



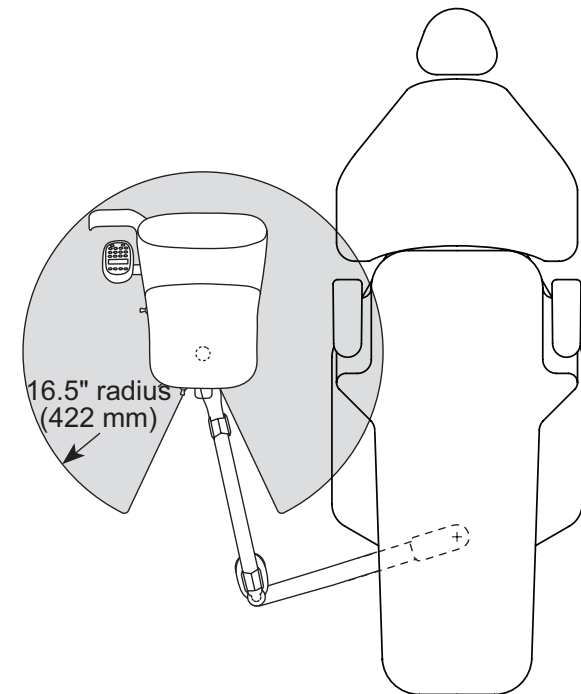
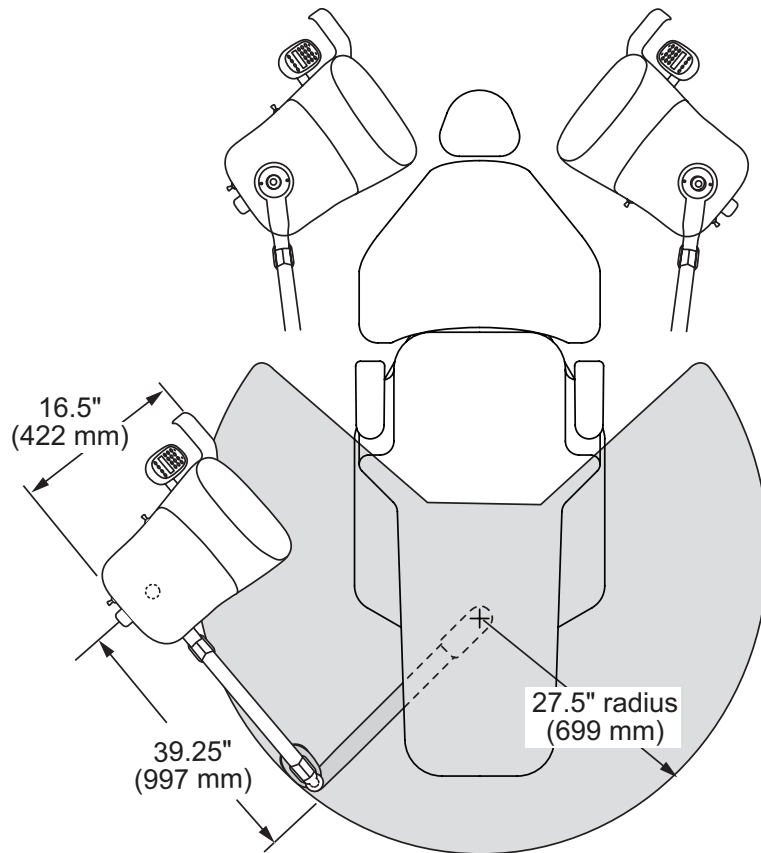
A-dec 571L Dental Light



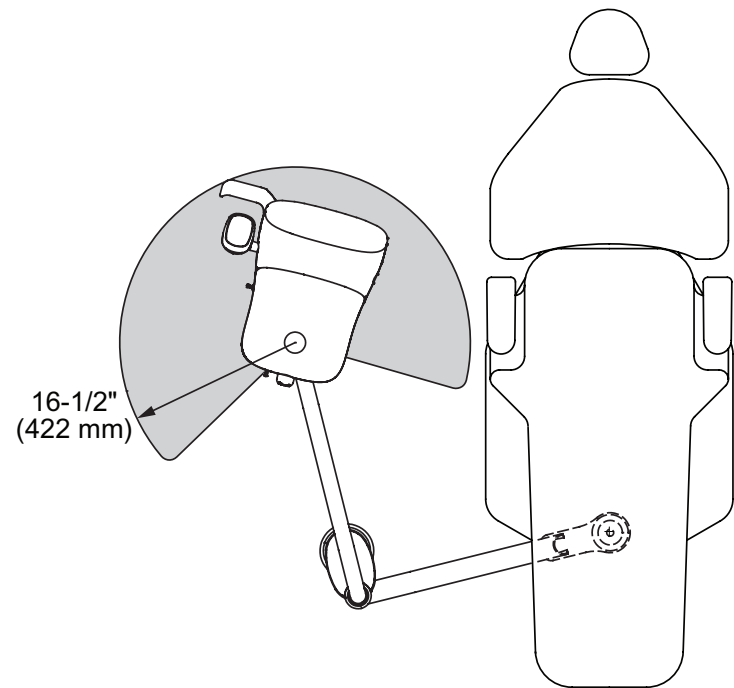
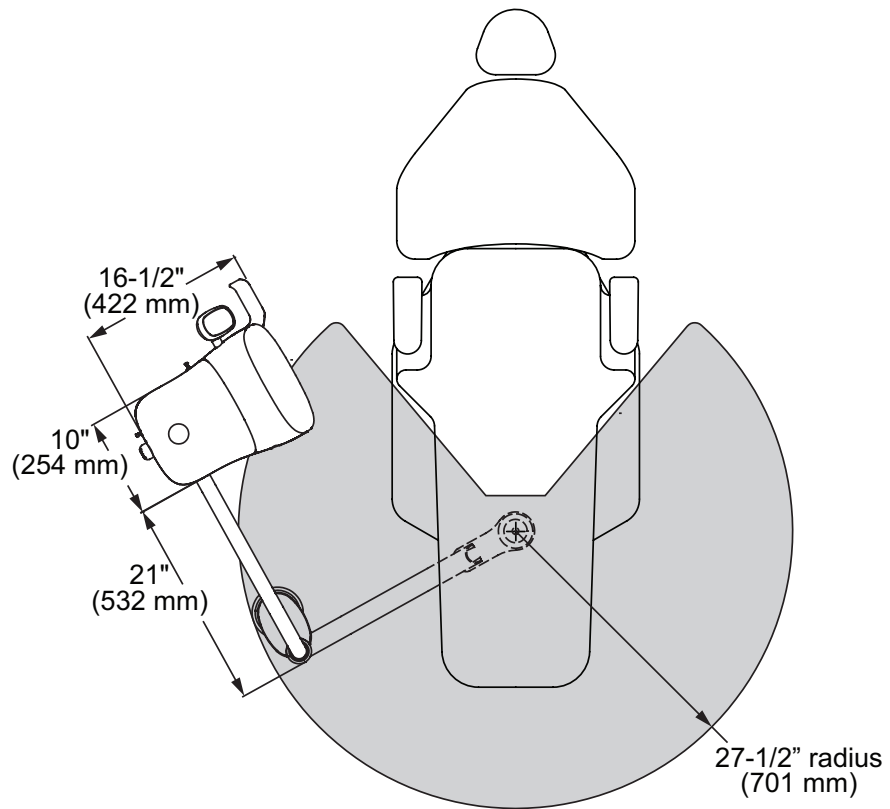
A-dec 371L Dental Light

A-dec 300 on Cascade Dental Chair

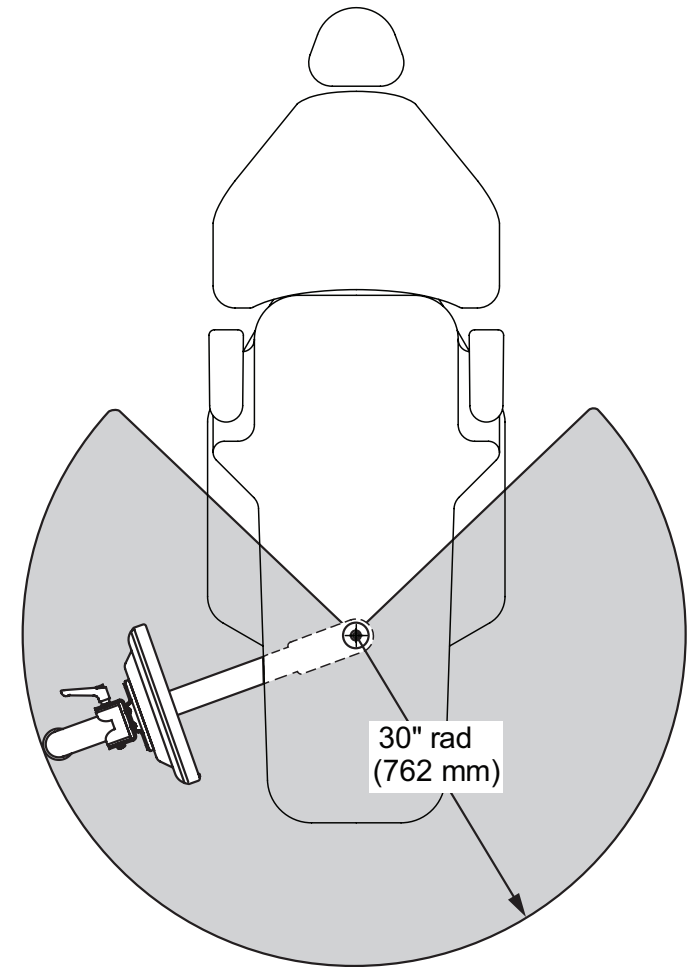
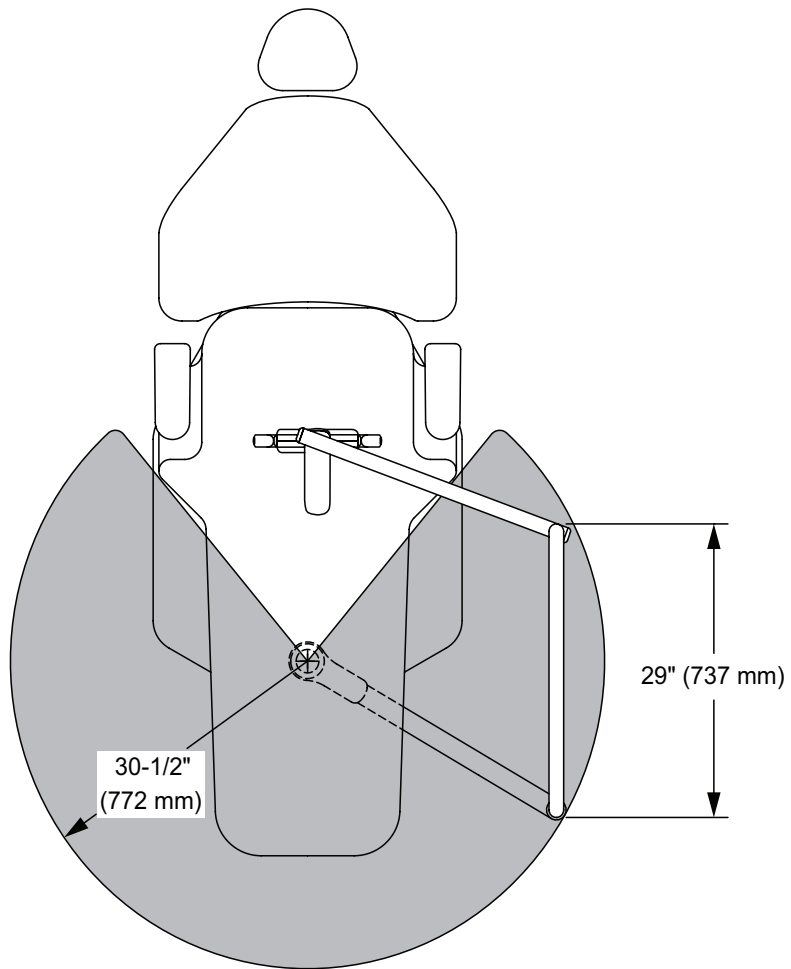
A-dec 332/333 Delivery System on Cascade Dental Chair



A-dec 336 Delivery System on Cascade Dental Chair

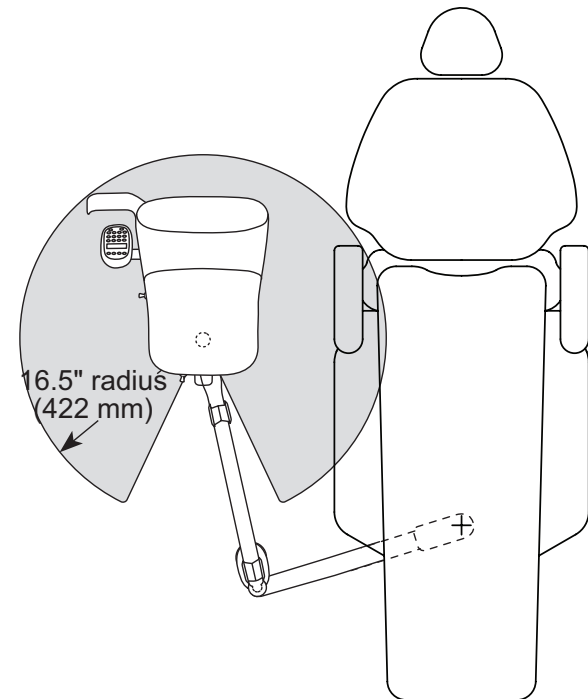
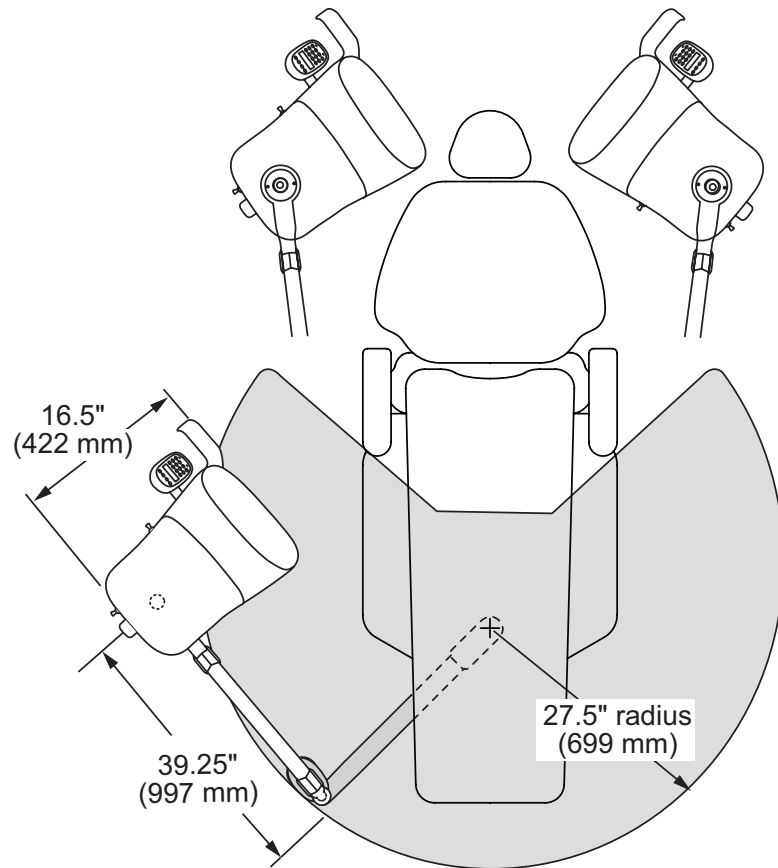


A-dec 372L Dental Light and 382 Monitor Mount on Cascade Dental Chair

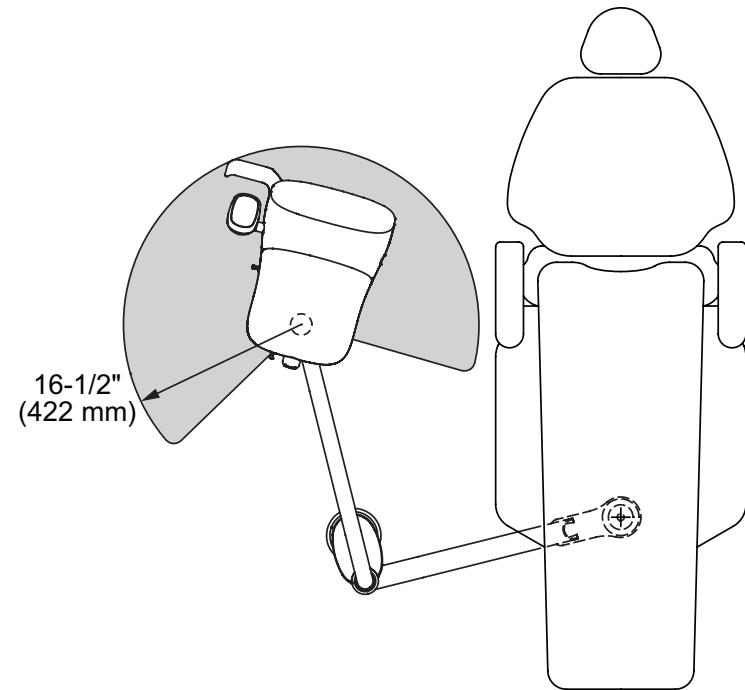
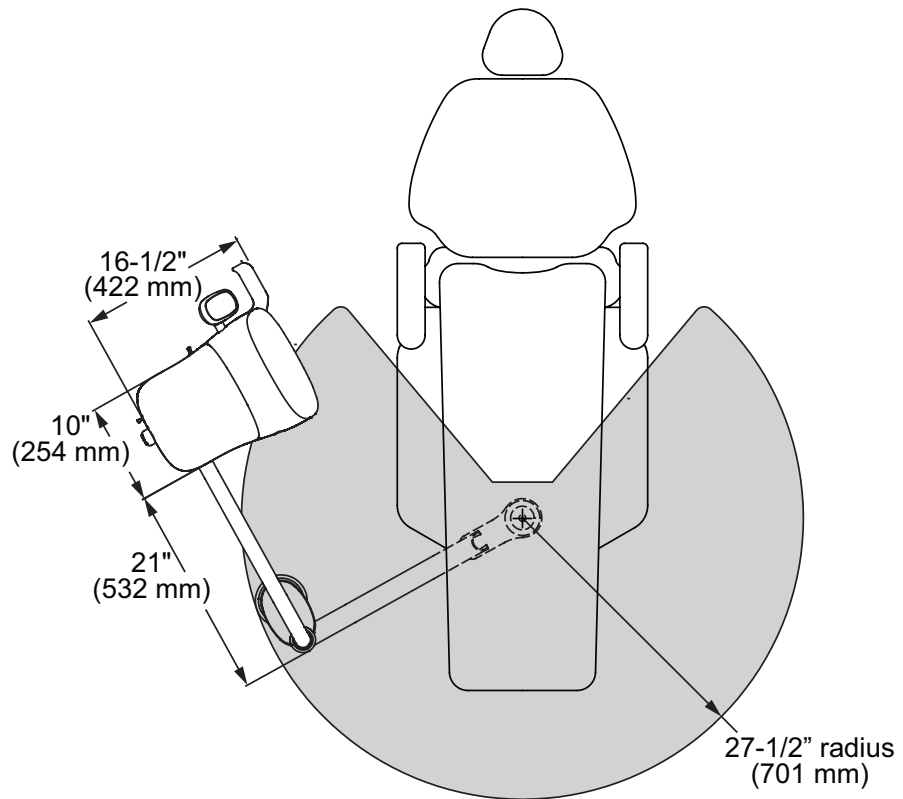


A-dec 300 on Decade Dental Chair

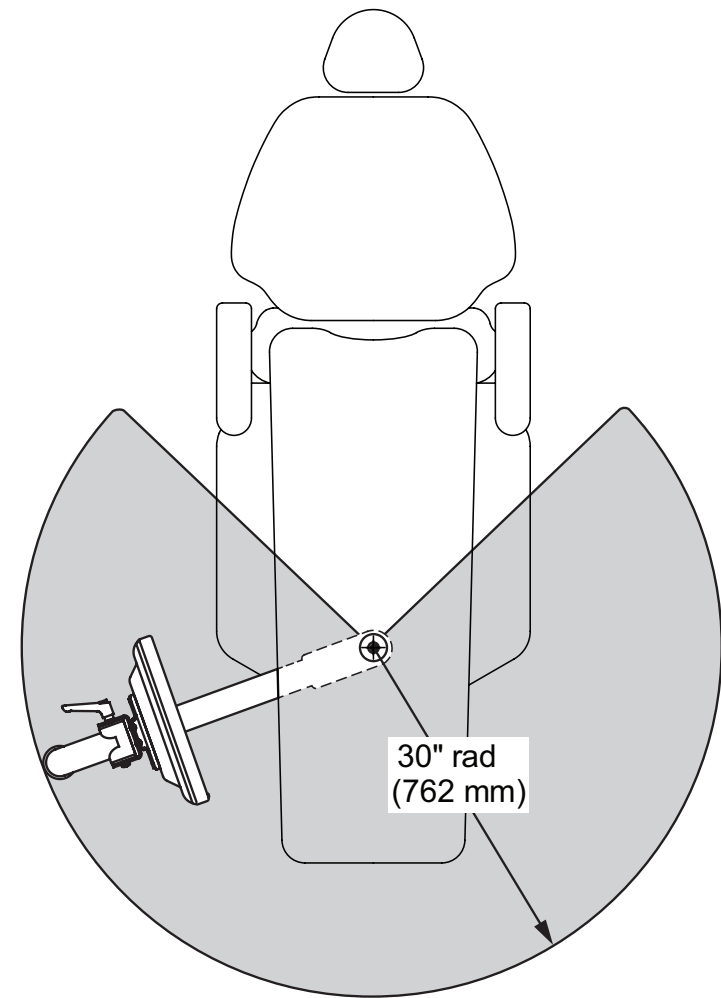
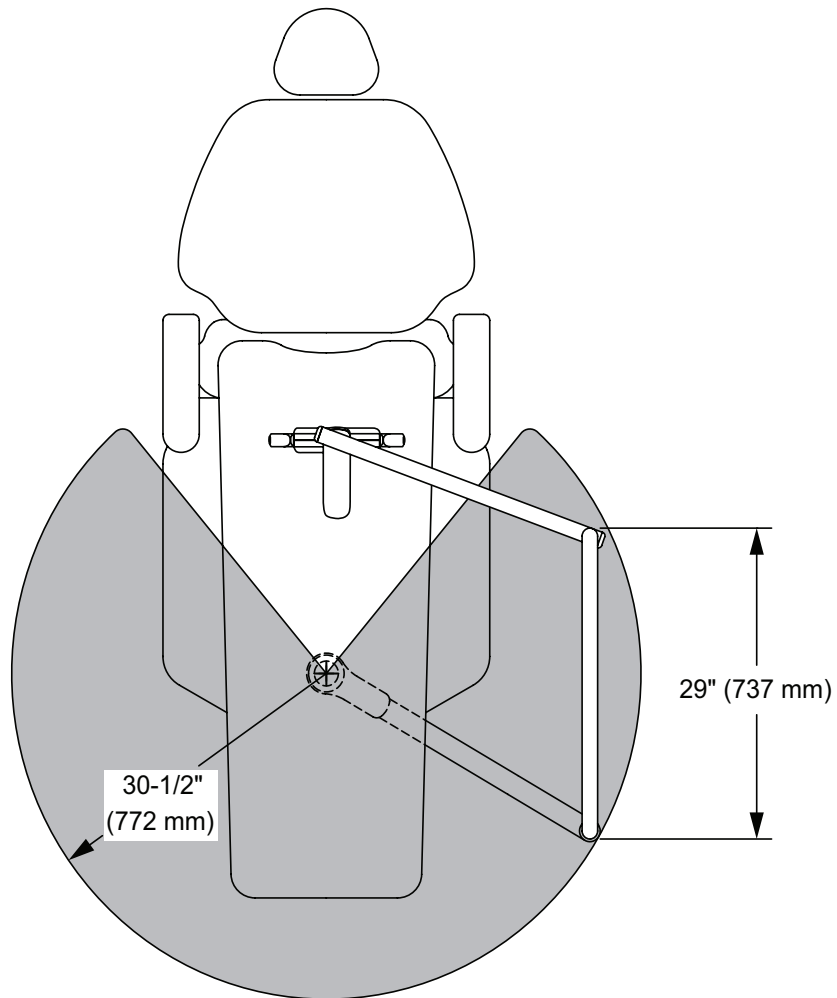
A-dec 332/333 Delivery System on Decade Dental Chair



A-dec 336 Delivery System on Decade Dental Chair



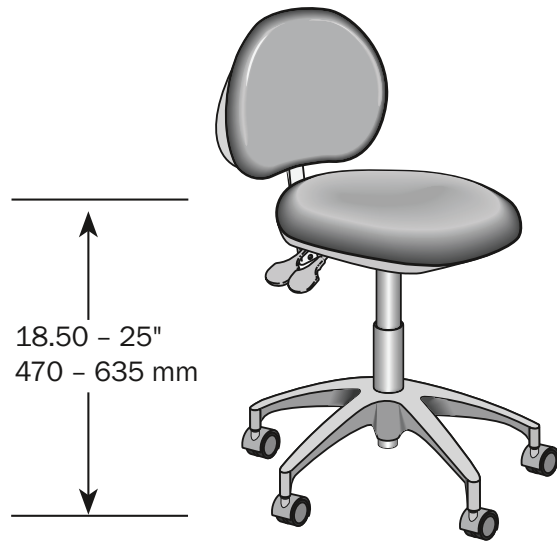
A-dec 372L Dental Light and 382 Monitor Mount on Decade Dental Chair



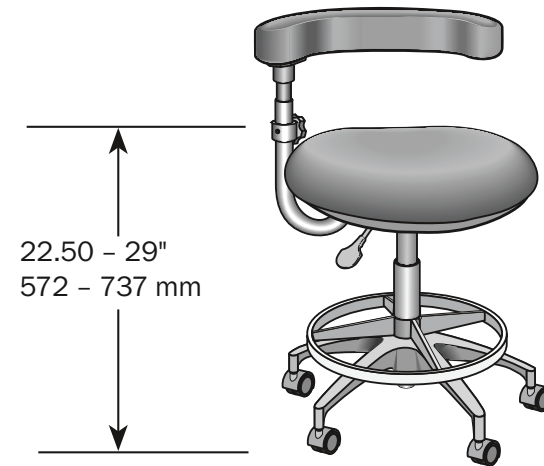
A-dec Dental Stools

A-dec 421 Doctor's and 422 Assistant's Stools

421 Doctor's Stool

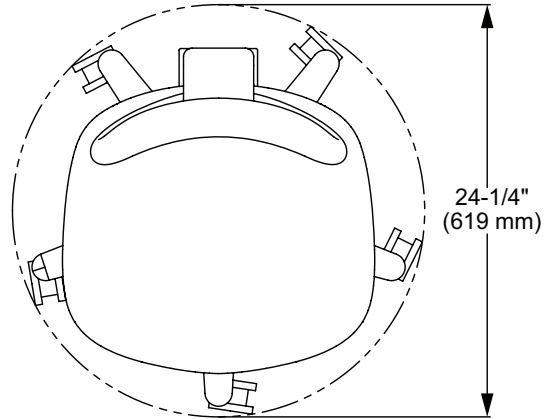


422 Assistant's Stool

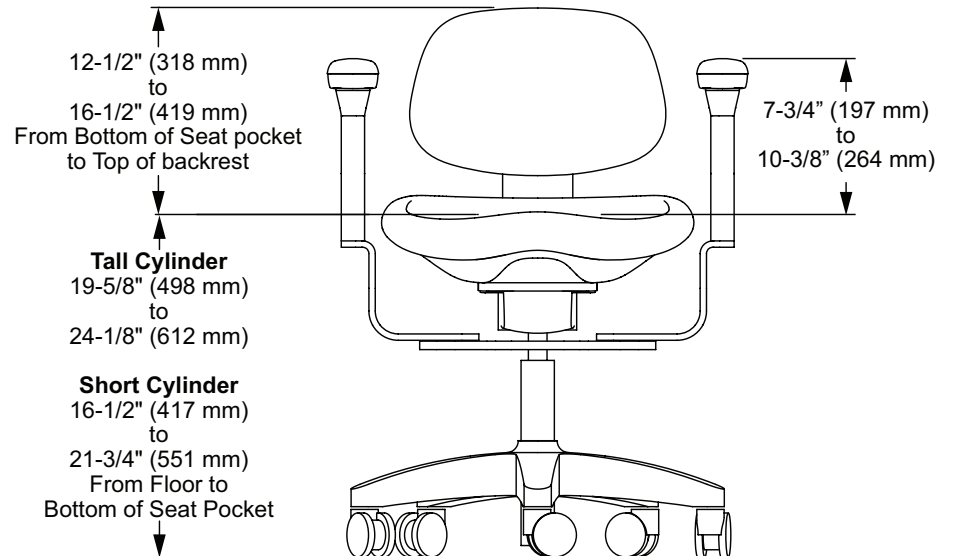
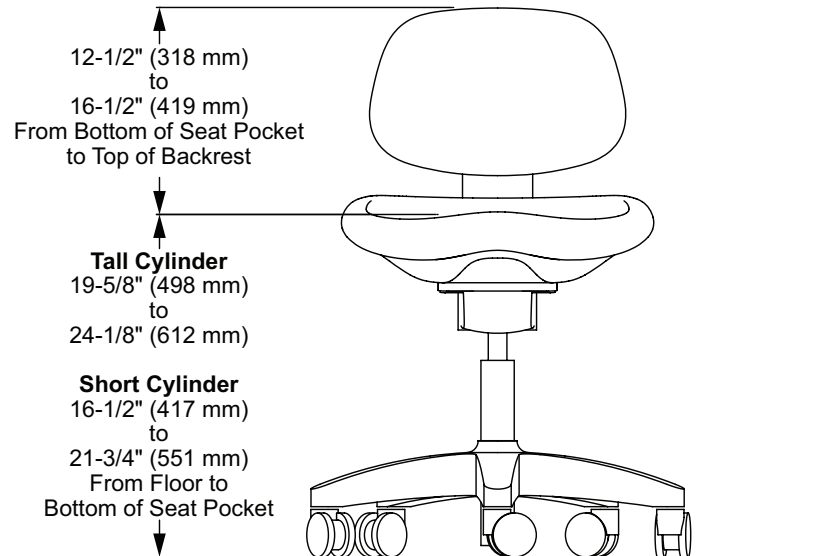
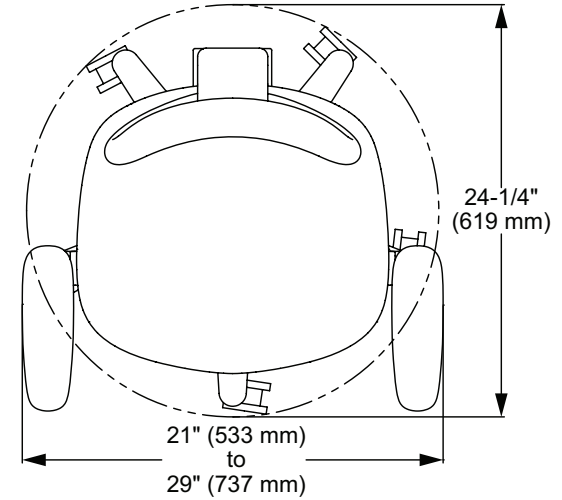


A-dec 521 Doctor's Stool

521 Doctor's Stool

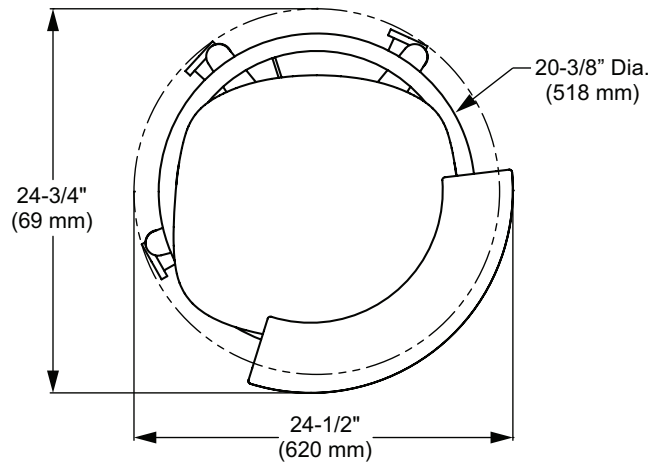


521 Doctor's Stool w/Armrests

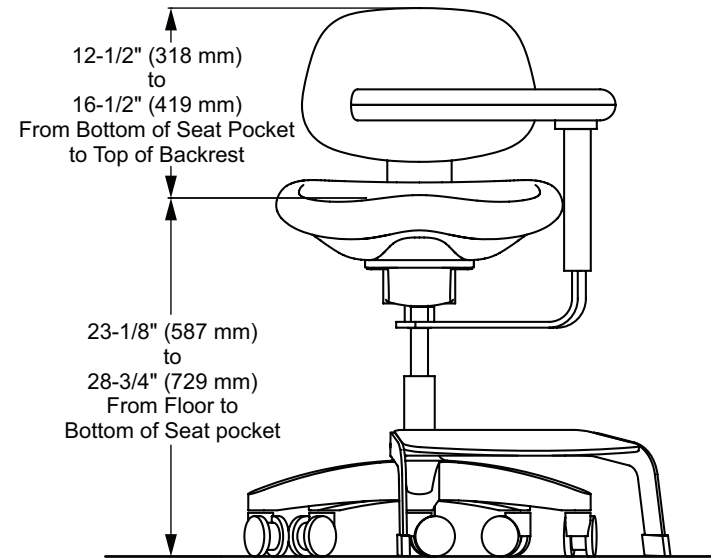
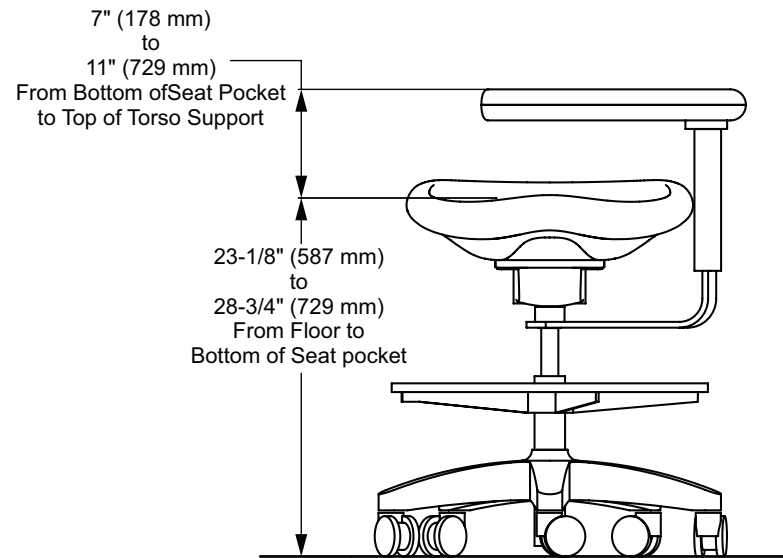
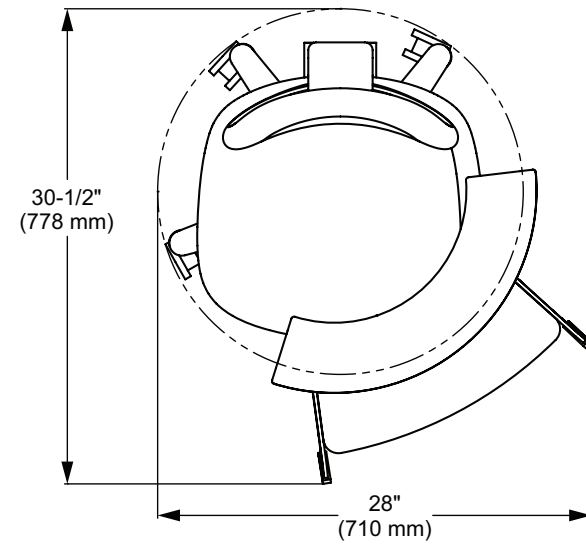


A-dec 522 Assistant's Stool

522 Assistants Stool

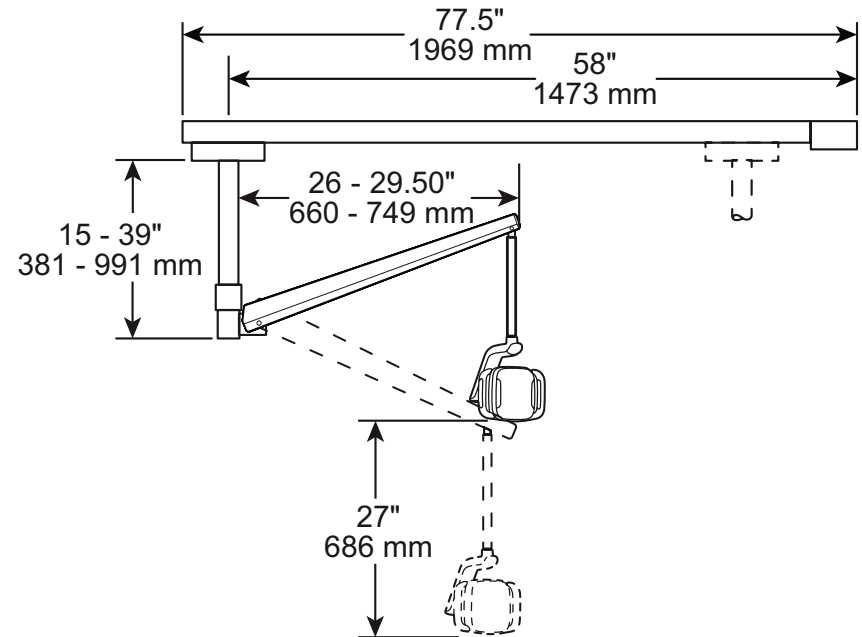
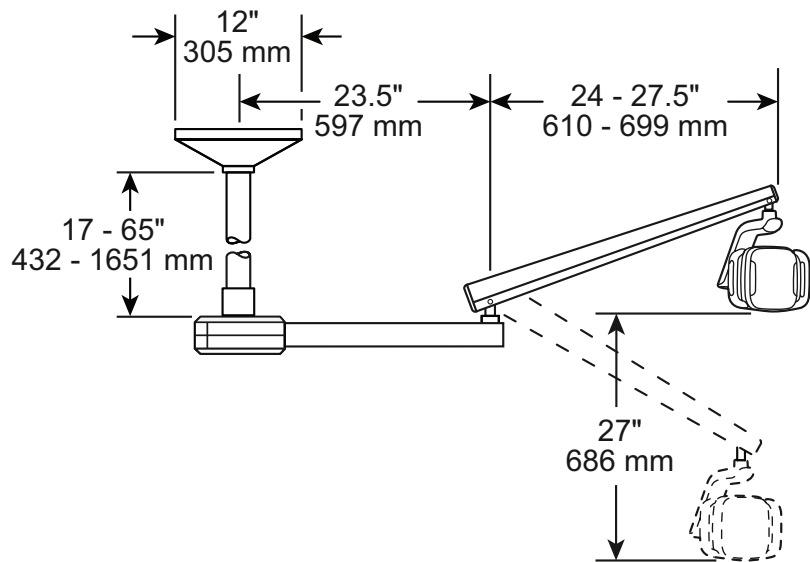


522 Assistants Stool w/Foot Pedestal and Backrest

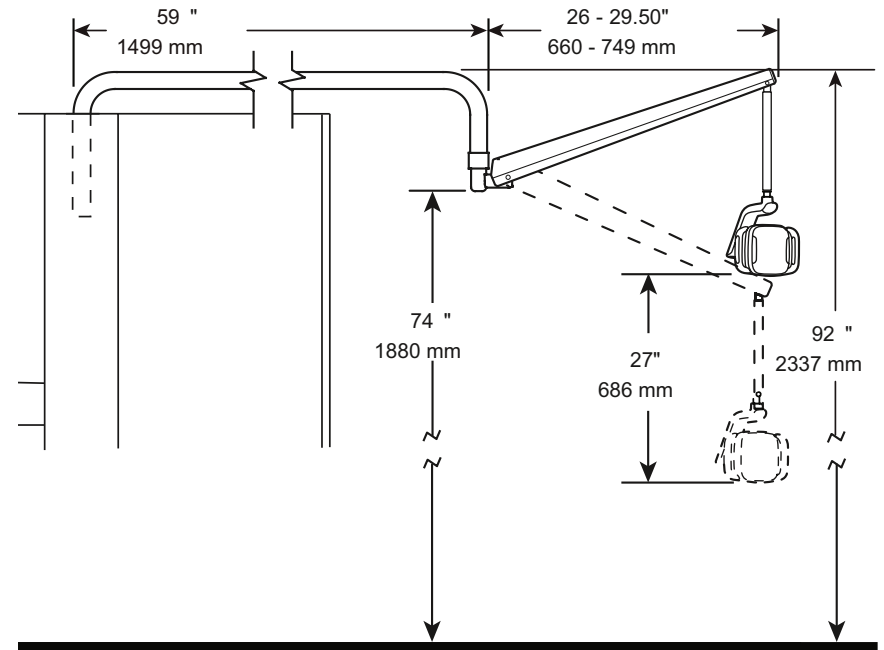
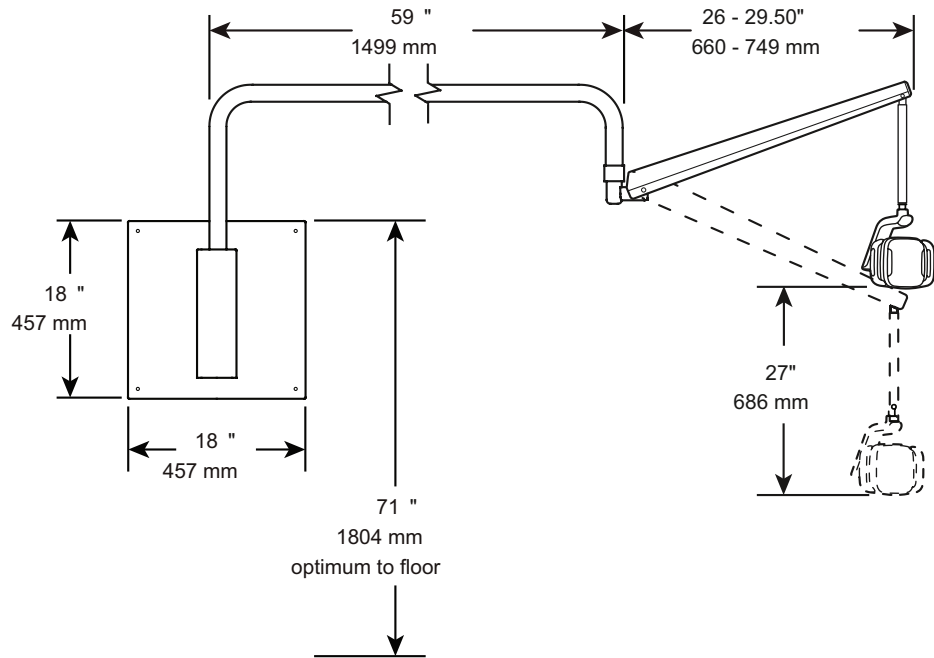


Dental Lights (Non-Chair Mounted)

376L/576L Ceiling Mounted and 377L/577L Track mounted LED Dental Lights

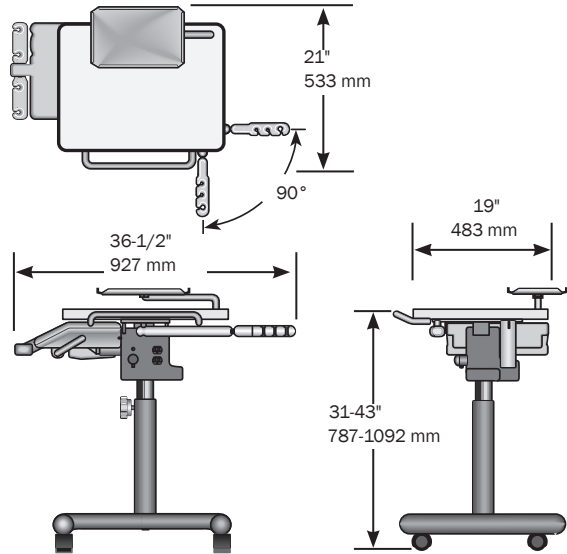


374L/574L Central Cabinet Mounted and 375L/575L Wall/Side Mounted LED Dental Lights

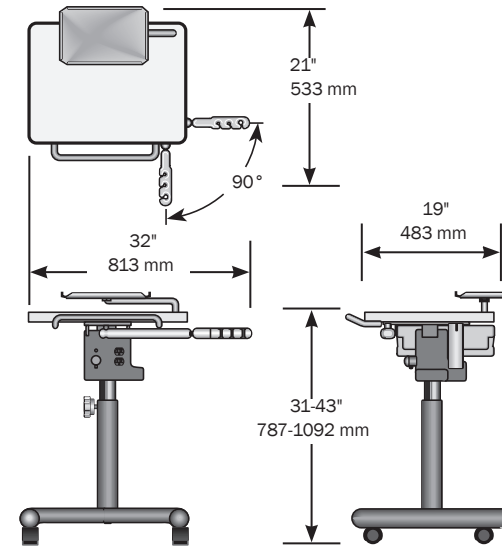


Cascade, Decade and Oregon Carts

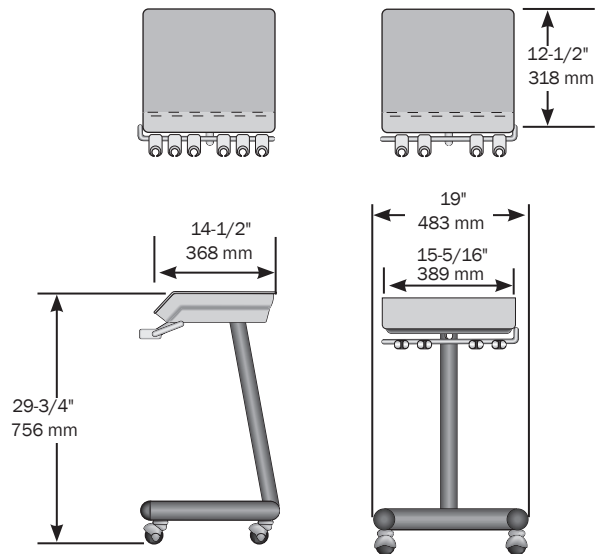
Cascade 2671 Duo Cart and Delivery System



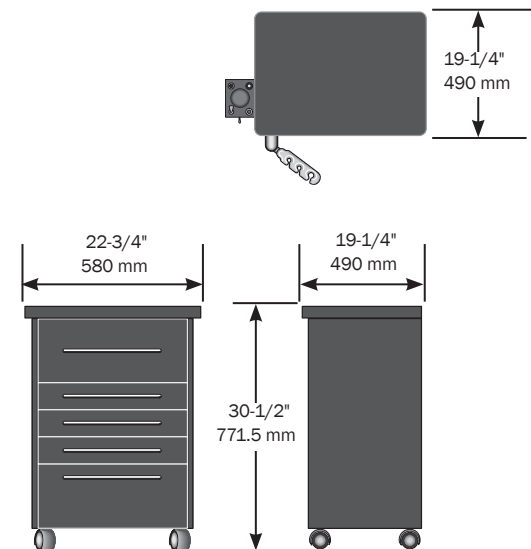
Cascade 2615 Assistant's Cart



Decade 2561 Duo and 2562 Doctor's Cart

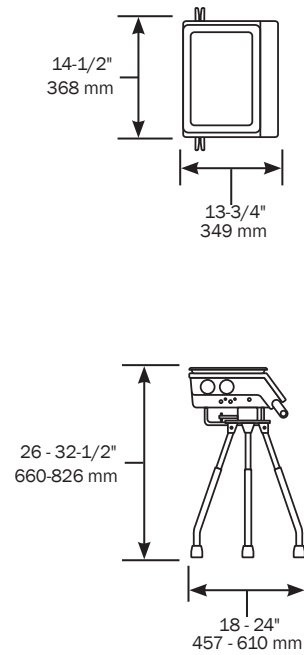


5744 Oregon Cart

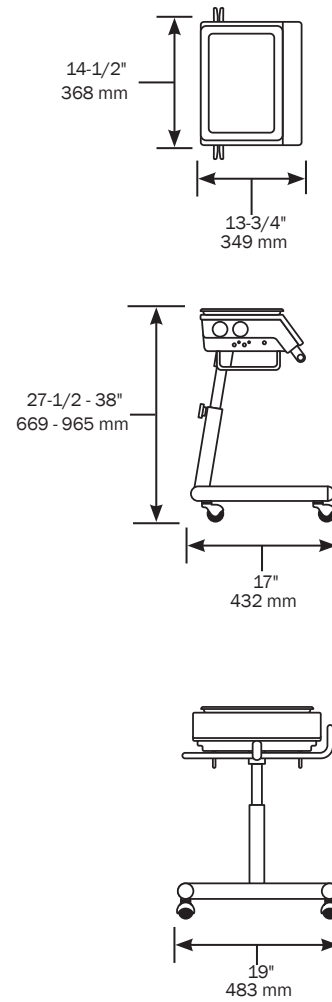


A-dec Portable Delivery Systems and Chairs

Pac 1 Field Unit



Pac 1 Institutional Unit





A-dec Headquarters

2601 Crestview Drive
Newberg, Oregon 97132, USA
Tel: 1.800.547.1883 Within USA/CAN
Tel: +1.503.538.7478 Outside USA/CAN
www.a-dec.com

86.0745.00 Rev C
Date of Issue: 2021-12-08
Copyright 2021 A-dec, Inc.
All rights reserved.