

A-dec® 511ft/511B Dental Chair and Related Modules

Contents

Structural Requirements	1
Dental Patient Chair Interface Requirement.....	1
Utility Requirements	1
Utility Specifications.....	2
Head Loss With Respect to Flow.....	3
Electrical Ratings	4
Shipping Weights	4
Documentation References.....	5
Plan Views and Dimensions.....	6
Utility Placement and Elevation	6
Floor Box Utility Connections.....	7
A-dec 511ft/511B Dental Chair	8
A-dec 532pro/532B Delivery System.....	9
A-dec 533pro/533B Delivery System.....	10
A-dec 332pro/333pro Delivery System.....	11
A-dec 334pro/335pro Delivery System on A-dec 362 Support Center	12
A-dec 336pro Delivery System.....	13
A-dec 551sta/551 Assistant's Instrumentation – Long Arm	14
A-dec 551sta/551 Assistant's Instrumentation – Short Arm	15
A-dec 351 Assistant's Instrumentation	16
A-dec 352/353 Assistant's Instrumentation on A-dec 362 Support Center.....	17
A-dec 461 Cuspidor with Support Center.....	18
A-dec 362 Support Center with Cuspidor.....	19
A-dec 571L/371 Dental Light on A-dec 362 Support Center.....	20
A-dec 572L Dental Light.....	21
A-dec 482 Monitor Mount on A-dec 572L Dental Light.....	22
A-dec 482 Monitor Mount on A-dec 572L Dental Light with A-dec 300 Pro System ...	23
A-dec 381 Monitor Mount on A-dec Dental Light with A-dec 300 Pro System	24
A-dec 381 Monitor Mount on A-dec Dental Light and 362 Support Center	25



A-dec 511B Dental Chair with 533pro Delivery System, 551sta Assistant's Instrumentation, 572L Dental Light, and 482 Monitor Mount

Copyright

© 2023 A-dec, Inc. All rights reserved.

A-dec, Inc. makes no warranty of any kind with regard to this material, including, but not limited to, the implied warranties of merchantability and fitness for a particular purpose. A-dec, Inc. shall not be held liable for any errors contained herein or any consequential or other damages concerning the furnishing, performance or use of this material. The information in this document is subject to change without notice. If you find any problems in the documentation, please report them to us in writing. A-dec, Inc. does not warrant that this document is error-free.

No part of this document may be copied, reproduced, altered, or transmitted in any form or by any means, electronic or mechanical, including photocopying, recording, or by any information storage and retrieval system, without prior written permission from A-dec, Inc.

Intellectual Property Rights

None of the trademarks, trade names, or proprietary symbols and icons in this document may be reproduced, copied, or manipulated in any manner without the express, written approval of the trademark owner.

A-dec, A-dec+, the A-dec design logo, and the trademarks listed at www.a-dec.com/legal/trademarks are A-dec trademarks or registered trademarks in the U.S. and other countries. Certain touch control symbols and icons are proprietary to A-dec, Inc.

Regulatory Information and Warranty

For required regulatory information and the A-dec warranty, see the *Regulatory Information, Specifications, and Warranty* document (p/n 86.0221.00) available in the Resource Center at www.a-dec.com.



For quick access to this document online, scan, tap, or click this QR code, which points to: a-dec.com/regulatory-guide.

Product Service

Product service is available through your local authorized A-dec dealer. For service information, or to locate an authorized dealer, contact A-dec at 1.800.547.1883 in the USA and Canada or +1.503.538.7478 worldwide, or visit www.a-dec.com.

Product Models and Versions Covered in This Document *

Model	Versions	Description
351	B	Assistant's Instrumentation
352/353/551	A	Assistant's Instrumentation
551sta	n/a	Assistant's Instrumentation
332pro/333pro 334pro/335pro 336pro/532pro 533pro	n/a	Delivery System
532/533	B	Delivery System
511	B	Dental Chair
511ft	n/a	Dental Chair
371L/372L 571L/572L	A	Dental Light
381/382/482	A	Monitor Mount
362/461	A	Support Center

* Some products, versions, and options in this document may not be available in certain regions.

Structural Requirements



NOTE Job site construction should be completed before the dental equipment installation (including finished floors, ceiling, plumbing, lighting, paint, etc.).

Dental Patient Chair Interface Requirement

The dental chair requires a solid, level mounting surface that meets these minimum specifications:

- Support a nominal weight of 1192 lb (5302 N) for the chair, dental light, delivery system, and patient.
- Capability to anchor the chair to the floor, with a minimum pullout load of 350 lb (1557 N) for one anchor-bolt.

Utility Requirements



CAUTION Local regulation may require licensed plumbers and electricians to install the utilities. All plumbing and utilities must conform to prevailing local codes.



CAUTION The manner and method for accessing the utilities within the wall is the responsibility of the design team working on the project (dental dealer, architectural services, and contractors). Utilities must be accessible without the use of tools.

General utility requirements and electrical ratings are provided on pages 2 and 4.



IMPORTANT For additional electrical specifications, see the *Regulatory Information, Specifications, and Warranty* document (p/n 86.0221.00), which is available in the Resource Center at www.a-dec.com.

Utility Specifications

Utility	Finish	Requirements
Air	1/2" (13 mm) compression protruding 1" to 2" (25 mm to 51 mm)	<ul style="list-style-type: none"> Right-angle manual shutoff valve with 3/8" compression outlet supplied and installed by the contractor, with the top of the handle no higher than 3-3/4" (95 mm) above the finished floor. 80-125 psi (550 to 860 kPa), 2.5 scfm (71 SL/min) minimum, during normal use (7.5 scfm [210 SL/min] peak intermittent flow). Flush lines prior to making connections to dental equipment.
Water*	1/2" (13 mm) compression protruding 1" to 2" (25 mm to 51 mm)	<ul style="list-style-type: none"> Right-angle manual shutoff valve with 3/8" compression outlet supplied and installed by the contractor, with the top of the handle no higher than 3-3/4" (95 mm) above the finished floor. 60±20 psi (410 ± 140 kPa), 1.5 gpm (5.7 L/min) minimum, not to exceed 40 °C (104 °F). Flush lines prior to making connections to dental equipment.
Central vacuum	1" PVC Pipe (1.315" OD) protruding 2" (51 mm)	<ul style="list-style-type: none"> Wet systems: 10±2 inches of Hg (34±7 kPa), 9 scfm (255 SL/min) minimum. Dry/semi-dry systems: 4.5±1 inches of Hg (16±3.5 kPa), 12 scfm (340 SL/min) minimum.
Gravity Drain**	1-1/2" (38 mm) nominal pipe protruding 1" (25 mm)	<ul style="list-style-type: none"> Place trap in line, conforming to local codes, contractor-supplied. Waste water drain must have a minimum slope of 1/4" per foot (21 mm per meter) and accommodate a flow of 4.5 gpm (17 L/min) without overflow. Floor mount only. Not recommended for wall mount utilities.
Electrical	1/2" (13 mm) conduit and electrical box with a hospital-grade quad power receptacle	<ul style="list-style-type: none"> Conduit, electrical box, and power receptacle supplied and installed by the contractor (wired as per code). Electrical box should be oriented vertically, with the top no higher than 5" (127 mm) above the finished floor. See the "Electrical Ratings" table for voltage and amperage ratings.

* The delivery system comes with a self-contained water bottle. Municipal water is only required if the equipment configuration includes a cuspidor or if the facility has special requirements.

** Gravity drains are needed only on systems with a cuspidor.

Head Loss With Respect to Flow

The following tables include information about high volume evacuator (HVE) and saliva ejector (SE) head loss with respect to flow for assistant’s instrumentation on an A-dec 511 chair.

A-dec 351 Assistant’s Instrumentation

Tubing and HVE/SE	90 NL/min (3.18 SCFM)	150 NL/min (5.30 SCFM)	250 NL/min (8.83 SCFM)
15 mm HVE (large bore) valve with 16 mm EasyFlex Tubing	0.08 in-Hg (0.27 kPa)	0.14 in-Hg (0.47 kPa)	0.36 in-Hg (1.22 kPa)
11 mm HVE (standard bore) valve with 16 mm EasyFlex Tubing	0.03 in-Hg (0.10 kPa)	0.7 in-Hg (0.24 kPa)	0.40 in-Hg (1.35 kPa)
11 mm HVE (standard bore) valve with 13 mm EasyFlex Tubing	0.07 in-Hg (0.24 kPa)	0.20 in-Hg (0.68 kPa)	1.25 in-Hg (4.23 kPa)
11 mm HVE (standard bore) valve with 13 mm PVC Tubing	0.10 in-Hg (0.34 kPa)	0.27 in-Hg (0.91 kPa)	1.50 in-Hg (5.08 kPa)
SE (standard bore) valve with 6 mm PVC Tubing	1.15 in-Hg (3.89 kPa)	6.31 in-Hg (21.37 kPa)	Exceeds 12 in-Hg (40.64 kPa) at flow rates above ~175 NL/min.
SE (standard bore) valve with 10 mm EasyFlex Tubing	0.43 in-Hg (1.46 kPa)	2.00 in-Hg (6.77 kPa)	Exceeds 12 in-Hg (40.64 kPa) at flow rates above ~220 NL/min.

A-dec 551 Assistant’s Instrumentation

Tubing and HVE/SE	90 NL/min (3.18 SCFM)	150 NL/min (5.30 SCFM)	250 NL/min (8.83 SCFM)
15 mm HVE (large bore) valve with 16 mm EasyFlex Tubing	0.11 in-Hg 0.37 kPa	0.32 in-Hg 1.08 kPa	1.88 in-Hg 6.37 kPa
11 mm HVE (standard bore) valve with 13 mm EasyFlex Tubing	0.33 in-Hg 1.12 kPa	1.09 in-Hg 3.69 kPa	2.97 in-Hg 10.06 kPa
11 mm HVE (standard bore) valve with 16 mm EasyFlex Tubing	0.20 in-Hg 0.68 kPa	0.54 in-Hg 1.83 kPa	1.41 in-Hg 4.77 kPa
11 mm HVE (standard bore) valve with 13 mm PVC Tubing	0.38 in-Hg 1.29 kPa	1.03 in-Hg 3.49 kPa	2.57 in-Hg 8.70 kPa
SE (standard bore) valve with 6 mm PVC Tubing	8.89 in-Hg 30.10 kPa	Exceeds 12 in-Hg (40.64 kPa) at flow rates ~100 NL/min.	
SE (standard bore) valve with 10 mm EasyFlex Tubing	5.03 in-Hg 17.03 kPa	Exceeds 12 in-Hg (40.64 kPa) at flow rates above ~125 NL/min.	

A-dec 352/353 Assistant’s Instrumentation on A-dec 362 Support Center

Tubing and HVE/SE	90 NL/min (3.18 SCFM)	150 NL/min (5.30 SCFM)	250 NL/min (8.83 SCFM)
15 mm HVE (large bore) valve with 16 mm EasyFlex Tubing and 15 mm canister connection	0.05 in-Hg (0.17 kPa)	0.11 in-Hg (0.37 kPa)	0.47 in-Hg (1.59 kPa)
11 mm HVE (standard bore) valve with 16 mm EasyFlex Tubing and 15 mm canister connection	0.06 in-Hg (0.20 kPa)	0.13 in-Hg (0.44 kPa)	0.57 in-Hg (1.93 kPa)
11 mm HVE (standard bore) valve with 13 mm EasyFlex Tubing and 15 mm canister connection	0.09 in-Hg (0.30 kPa)	0.22 in-Hg (0.75 kPa)	1.09 in-Hg (3.69 kPa)
11 mm HVE (standard bore) valve with 13 mm PVC Tubing and 15 mm canister connection	0.10 in-Hg (0.34 kPa)	0.26 in-Hg (0.88 kPa)	1.21 in-Hg (4.10 kPa)
SE (standard bore) valve with 6 mm PVC Tubing and 15 mm canister connection	1.27 in-Hg (4.30 kPa)	6.39 in-Hg (21.64 kPa)	Exceeds 12 in-Hg (40.64 kPa) at flow rates above ~200 NL/min.
SE (standard bore) valve with 10 mm EasyFlex Tubing and 15 mm canister connection	0.66 in-Hg (2.24 kPa)	2.72 in-Hg (9.21 kPa)	Exceeds 12 in-Hg (40.64 kPa) at flow rates above ~250 NL/min.

Electrical Ratings

Power	Required Electrical Supply
240 Volt	220–240 VAC, 50–60 Hz, 10 Amps minimum
120 Volt	110–120 VAC, 50–60 Hz, 15 Amps minimum

Shipping Weights

Product/Box	Estimated Shipping Weight
A-dec 511B Dental Chair	422 lb (191 kg)
A-dec 532pro/533pro/532B/533B Delivery System <i>(includes front mount weight)</i>	95 lb (43 kg)
A-dec 332pro/334pro/336pro Delivery System	61 lb (28 kg)
A-dec 333pro/335pro/333/335 Delivery System	55 lb (25 kg)
A-dec 362 Support Center with Cuspidor	84 lb (38 kg)
A-dec 461 Cuspidor with Support Center	66 lb (30 kg)
A-dec 351 Assistant's Instrumentation <i>(assistant's arm only)</i>	28 lb (13 kg)
A-dec 352 Assistant's Instrumentation <i>(assistant's arm only)</i>	15 lb (7 kg)
A-dec 353 Assistant's Instrumentation <i>(assistant's arm only)</i>	7 lb (3 kg)
A-dec 551sta/551 Assistant's Instrumentation <i>(assistant's arm only)</i>	20 lb (9 kg)
Back Mount and Support Link <i>(required with 551 modules)</i>	15 lb (7 kg)
A-dec 371L/571L Dental Light	35 lb (16 kg)
A-dec 372L/572L Dental Light	47 lb (21 kg)
A-dec 381 Monitor Mount <i>(without monitor)</i>	9 lb (4 kg)
A-dec 382 Monitor Mount <i>(without monitor)</i>	27 lb (12 kg)
A-dec 482 Monitor Mount <i>(without monitor)</i>	11 lb (5 kg)

Documentation References

Document Title	Part Number
Templates	
<i>A-dec 511ft/511B Dental Chair Full-Size Template</i>	86.0755.00
<i>A-dec 511ft/511B Dental Chair Mini Template</i>	86.0756.00
<i>A-dec 511ft/511B Dental Chair and Related Modules Full-Size Template</i>	86.0757.00
Installation Guides	
<i>A-dec 511 Dental Chair Installation Guide</i>	86.0648.00
<i>A-dec 332pro/333pro/336pro and A-dec 332/333/336 Delivery System on A-dec 511 Dental Chair Installation Guide</i>	86.0307.00
<i>A-dec 532/533 Delivery System Installation Guide</i>	86.0479.00
<i>A-dec 362 Support Center Installation Guide</i>	86.0563.00
<i>A-dec 461 Support Center on A-dec 311/411/511 Dental Chair Installation Guide</i>	86.0387.00
<i>A-dec 351 Assistant's Instrumentation on 311/411/511 Dental Chair</i>	86.0569.00
<i>A-dec 551/551sta Assistant's Instrumentation on A-dec 311/411/511 Dental Chair Installation Guide</i>	86.0388.00
<i>A-dec 371L/571L Dental Light on A-dec 361/362/363 Support Center</i>	86.0341.00
<i>A-dec 372L/572L Dental Light on A-dec 511 Dental Chair Installation Guide</i>	86.0795.00
<i>A-dec 382 Monitor Mount on A-dec 311/411/511/Cascade/Decade Dental Chair Installation Guide</i>	86.0413.00
<i>A-dec 482/381 Monitor Mount Installation Guide</i>	86.0410.00

Plan Views and Dimensions

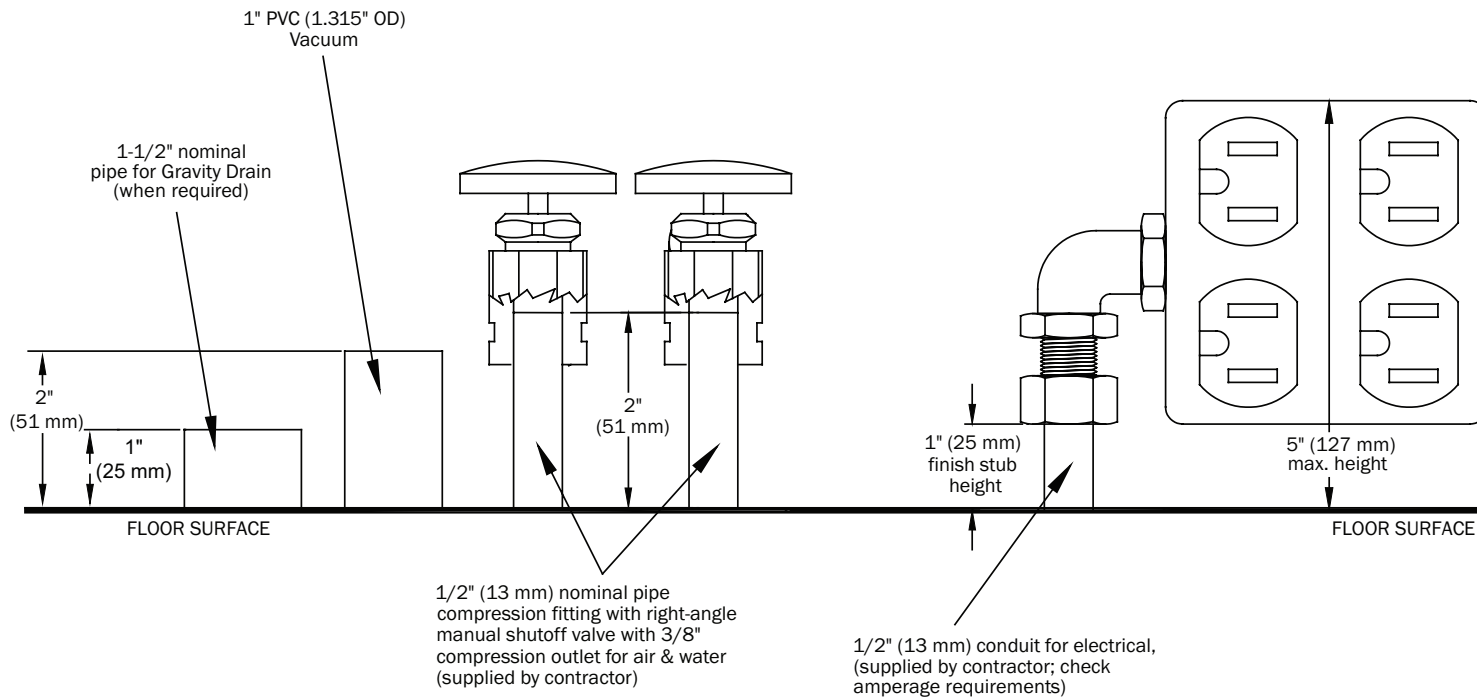


NOTE The dimensional drawings in this section are not to scale and are for reference only. For complete accuracy, use the appropriate full-sized templates.

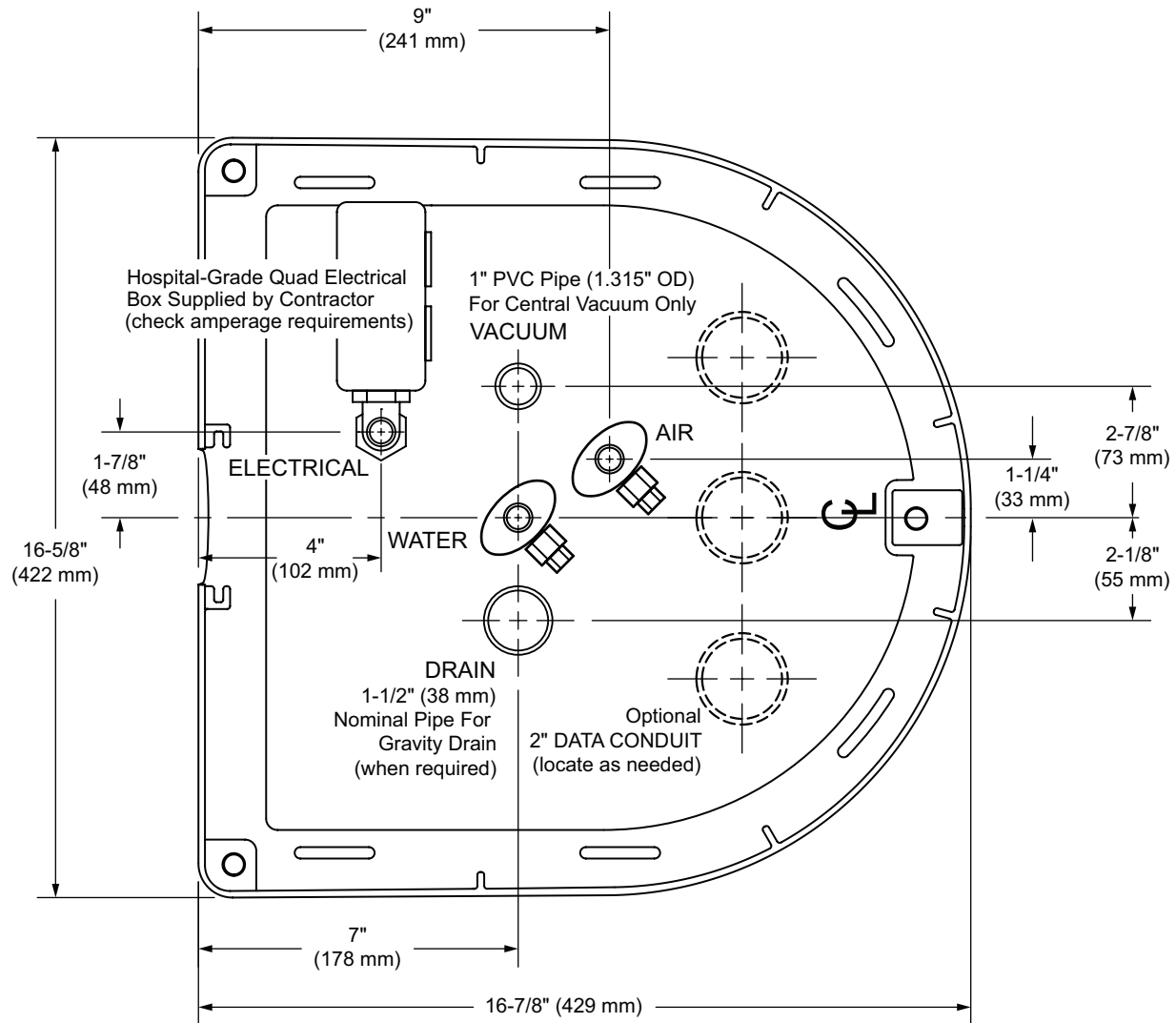
Utility Placement and Elevation



CAUTION Due to specific plumbing elevation restrictions, the height and placement of utilities in the floor box can affect the ability to use the floor box cover. Failure to provide adequate space will prevent installation and removal of the cover. See the elevations provide here and reference the appropriate full-size template, which includes the required space constraints.

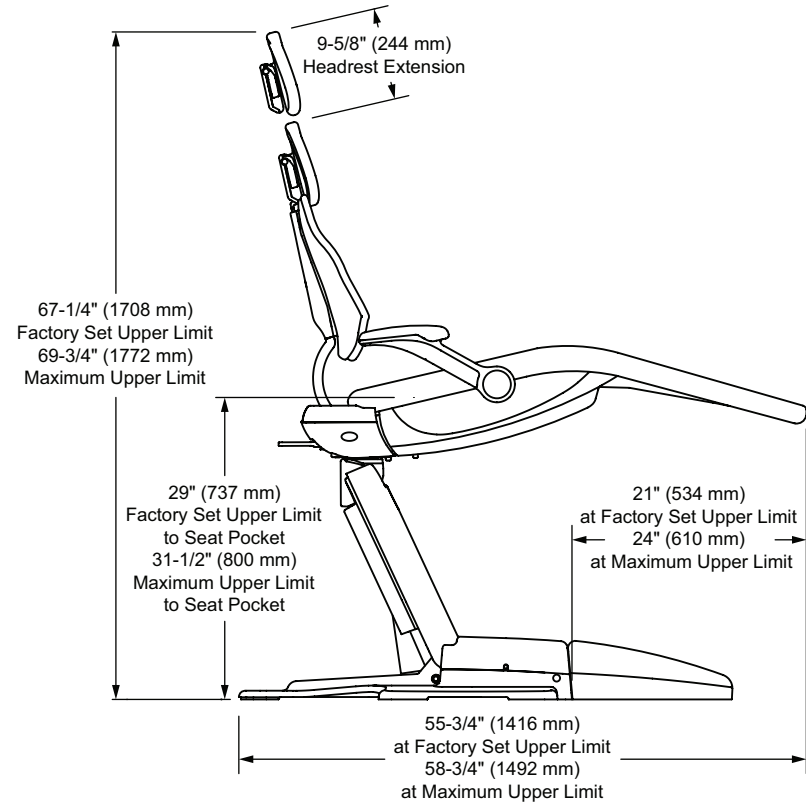
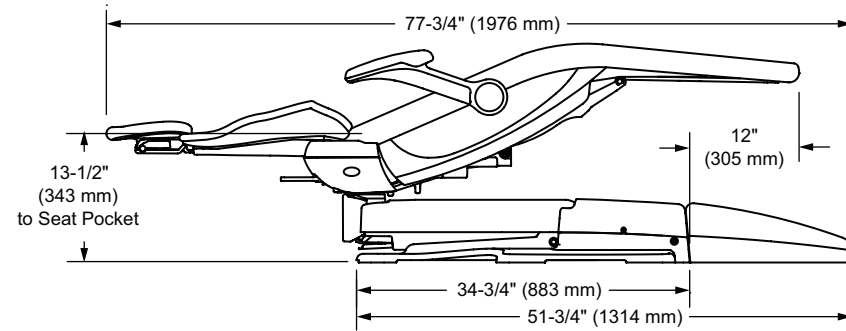
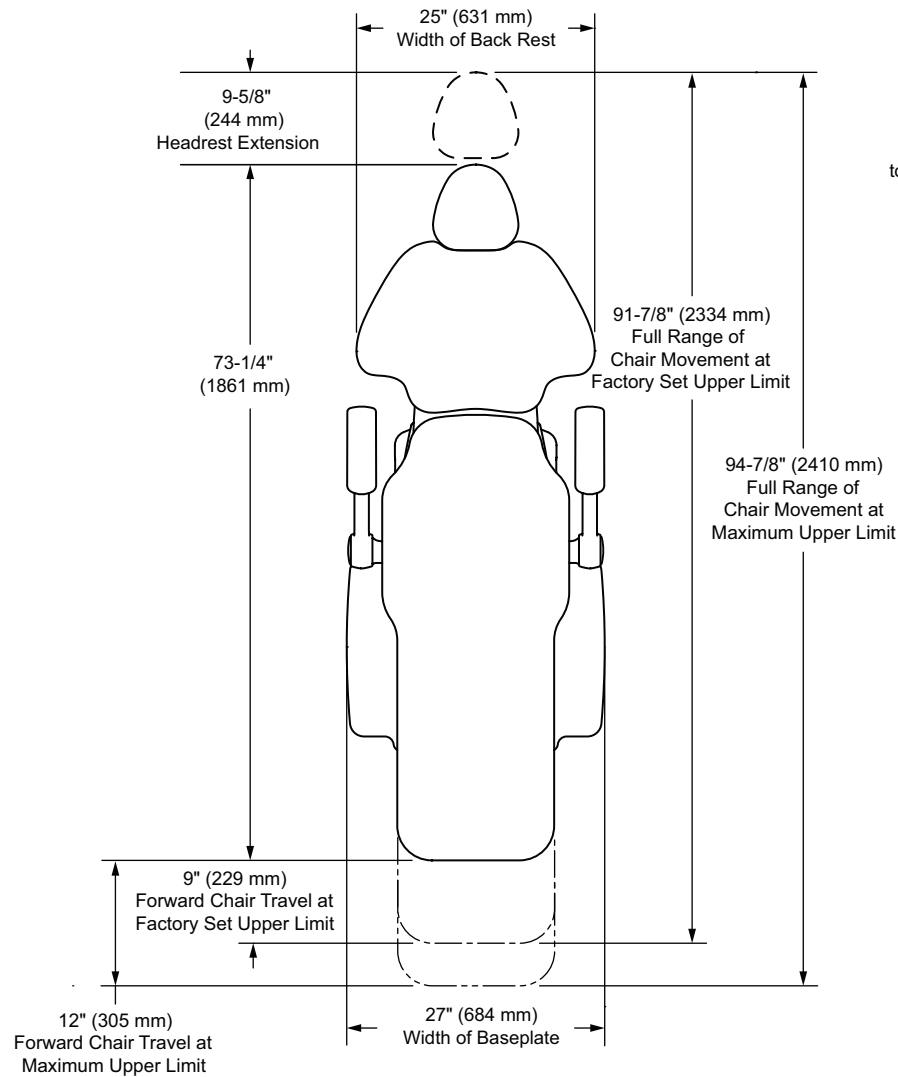


Floor Box Utility Connections



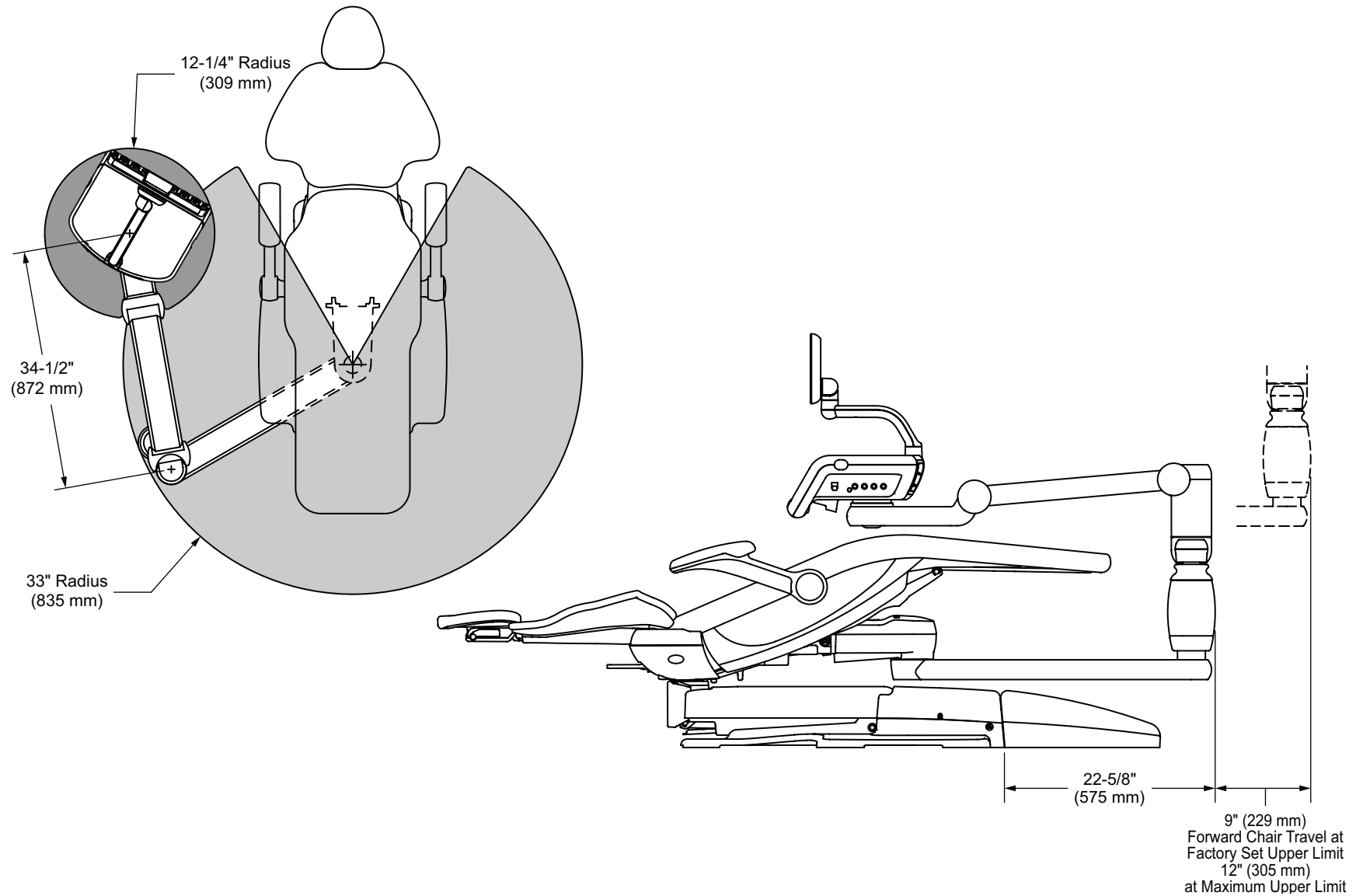
A-dec 511ft/511B Dental Chair

Plan View with Elevation (511B shown)



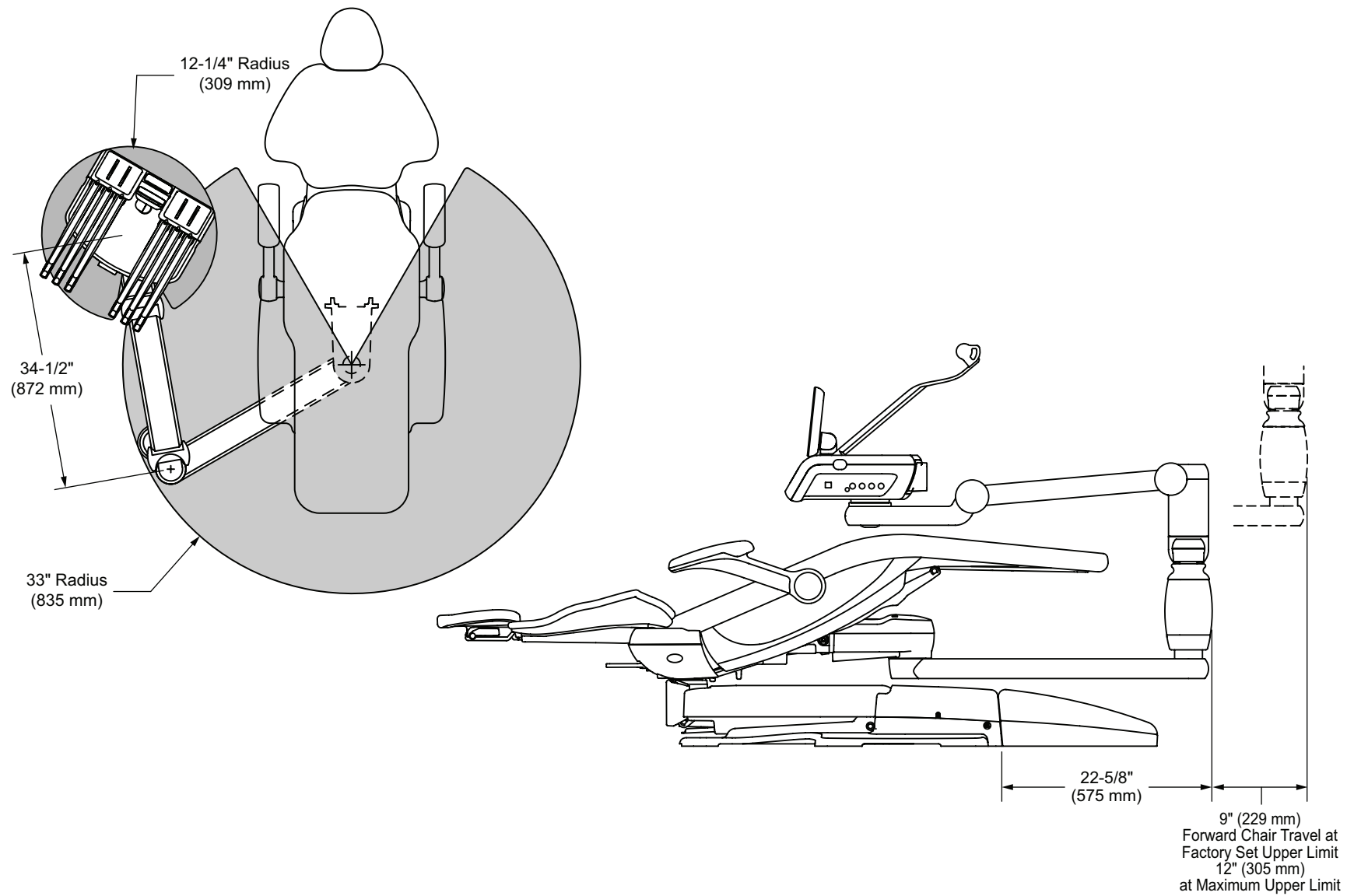
A-dec 532pro/532B Delivery System

Plan View with Elevation



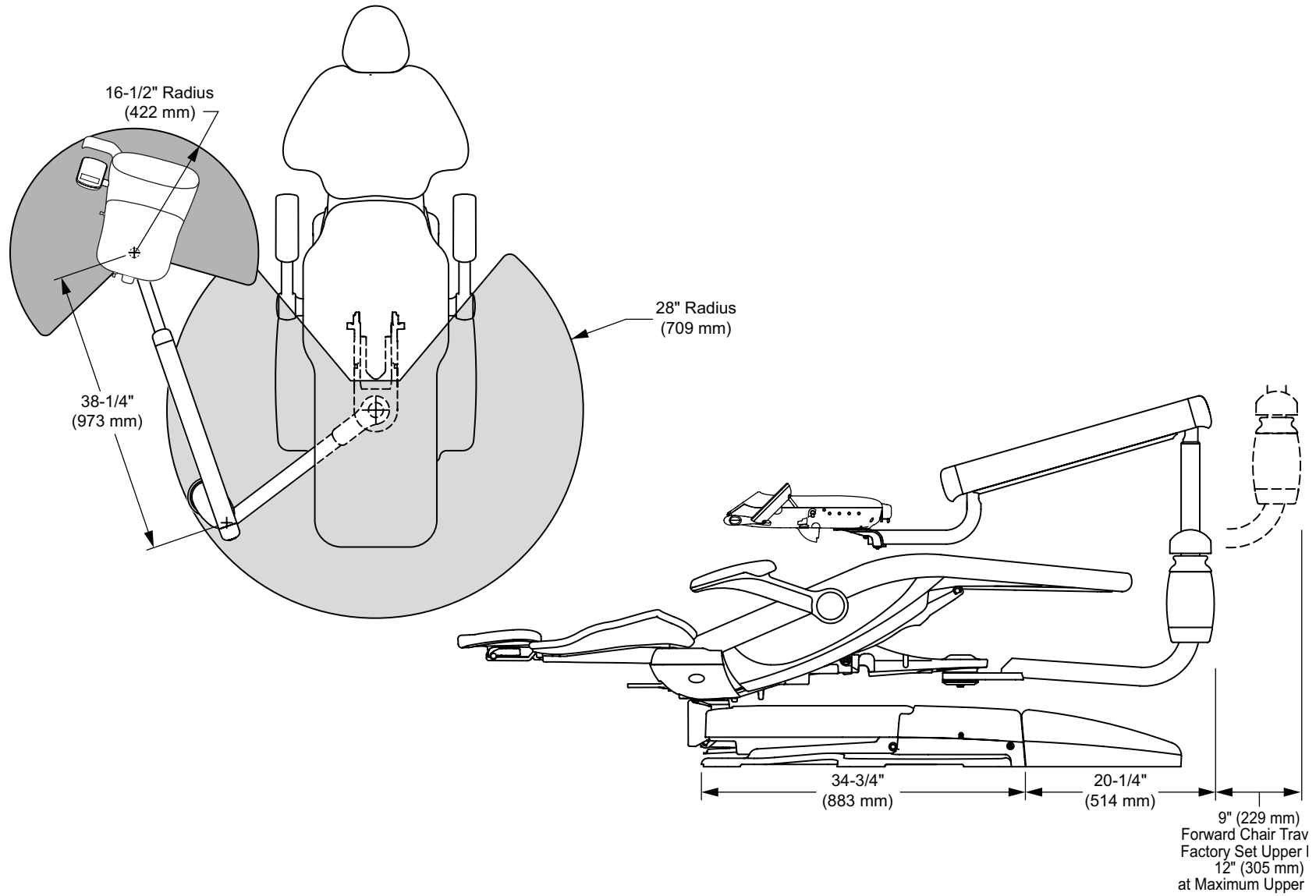
A-dec 533pro/533B Delivery System

Plan View with Elevation



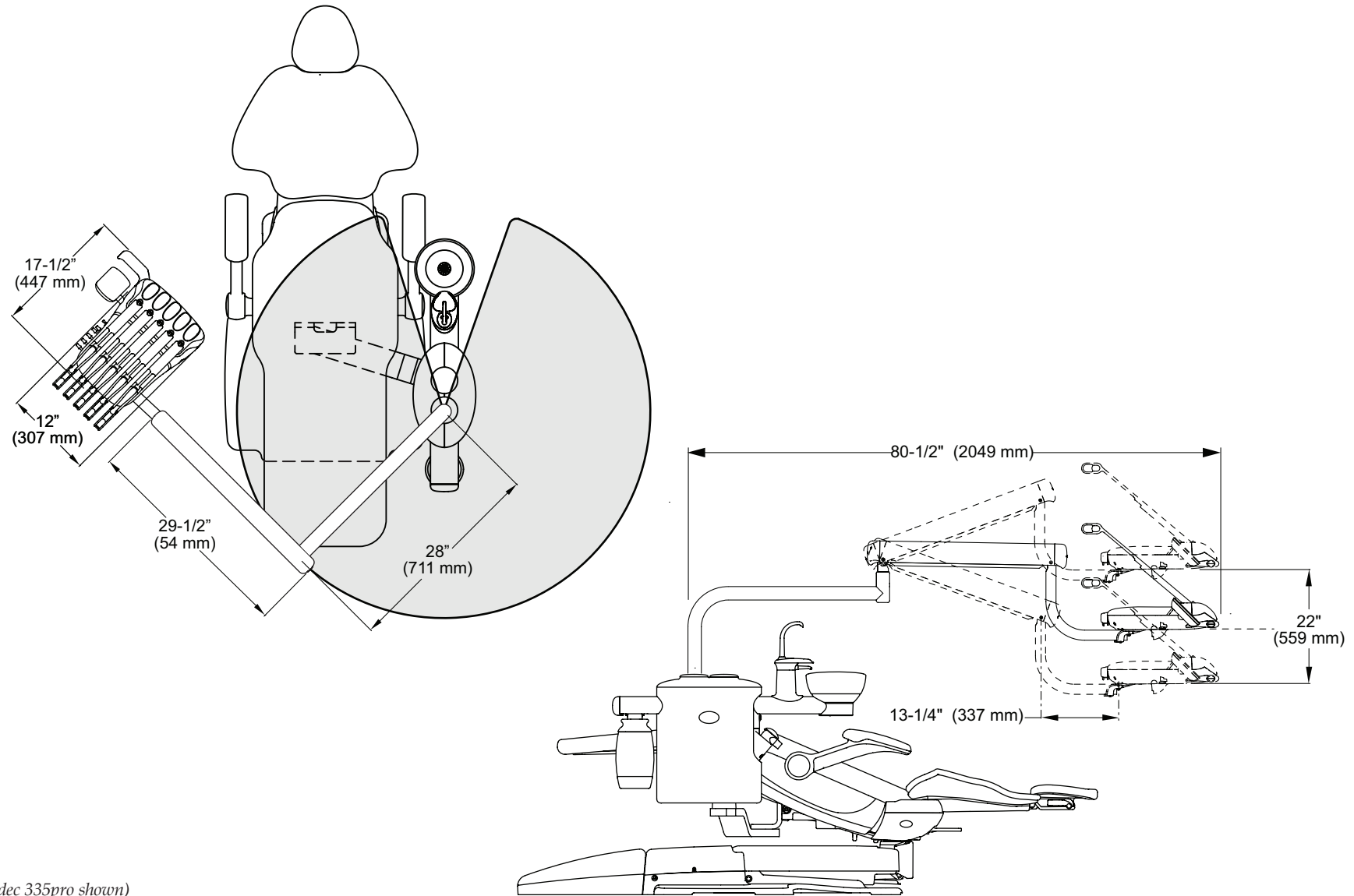
A-dec 332pro/333pro Delivery System

Plan View with Elevation



A-dec 334pro/335pro Delivery System on A-dec 362 Support Center

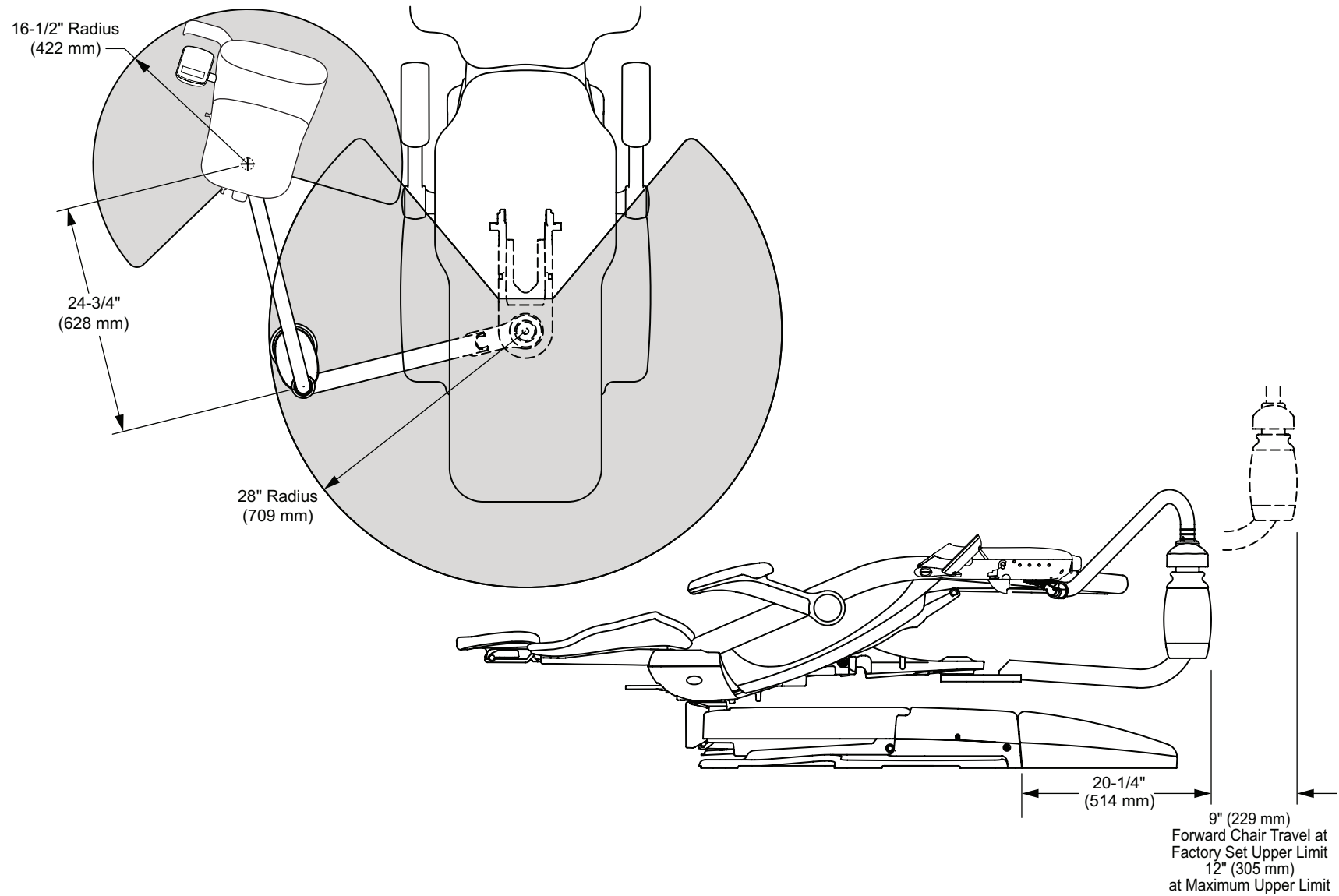
Plan View with Elevation



(A-dec 335pro shown)

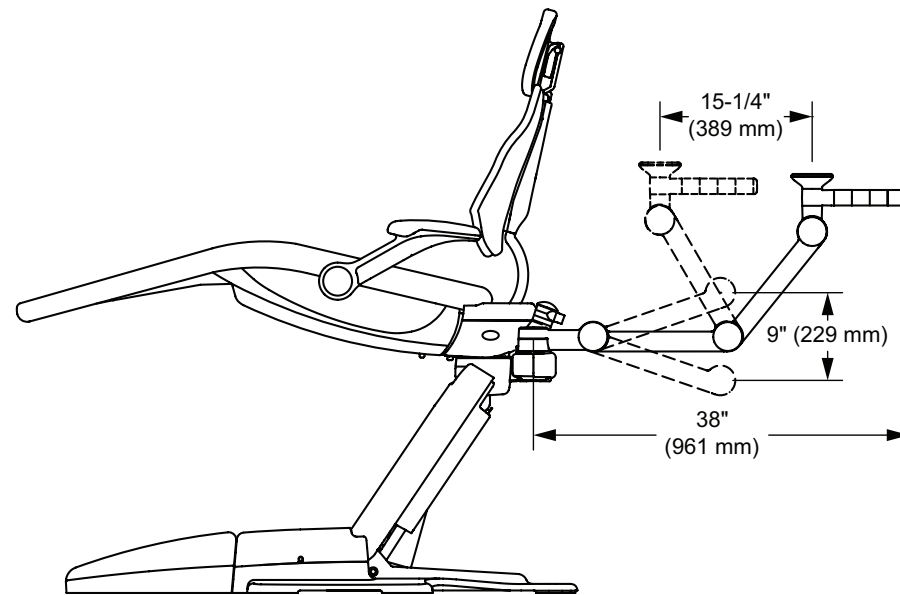
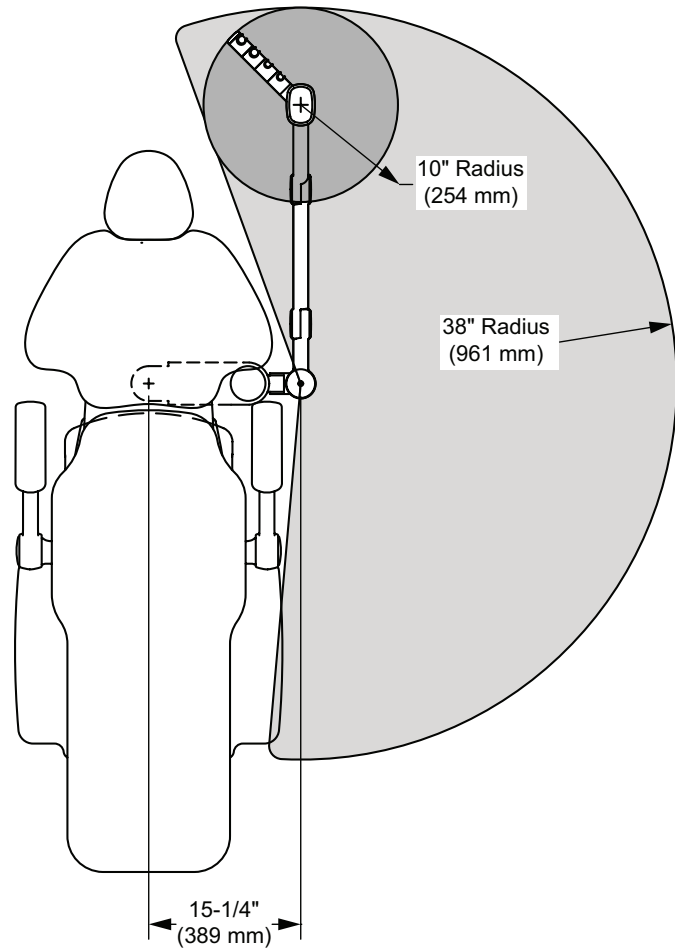
A-dec 336pro Delivery System

Plan View with Elevation



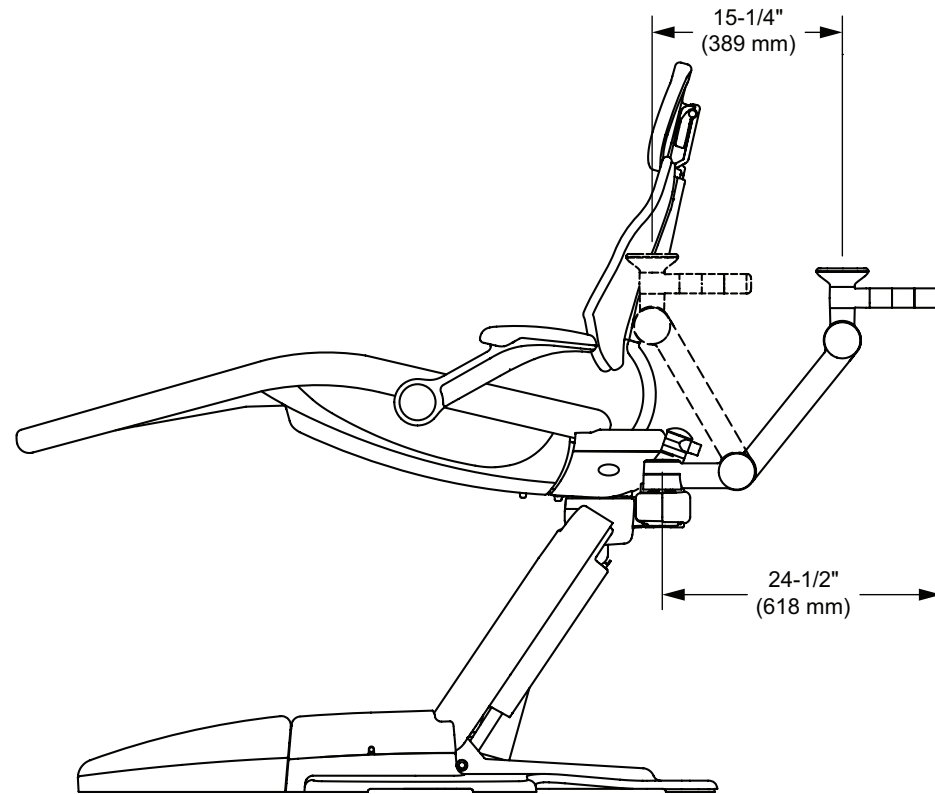
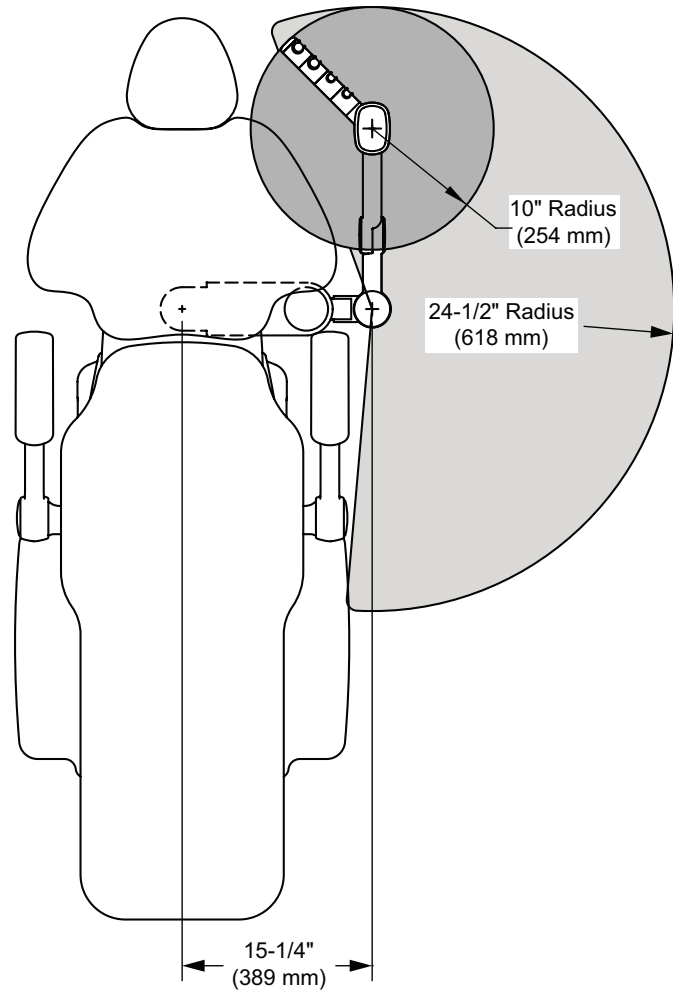
A-dec 551sta/551 Assistant's Instrumentation – Long Arm

Plan View with Elevation



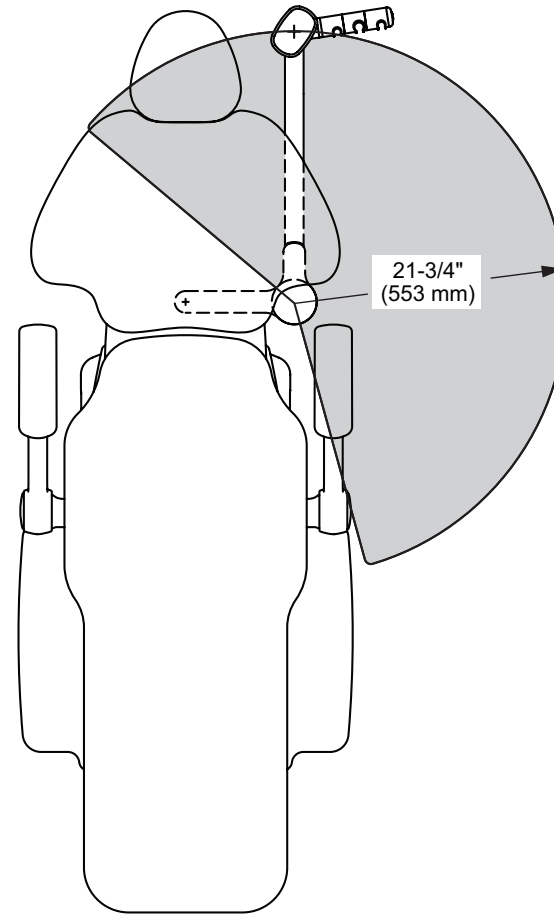
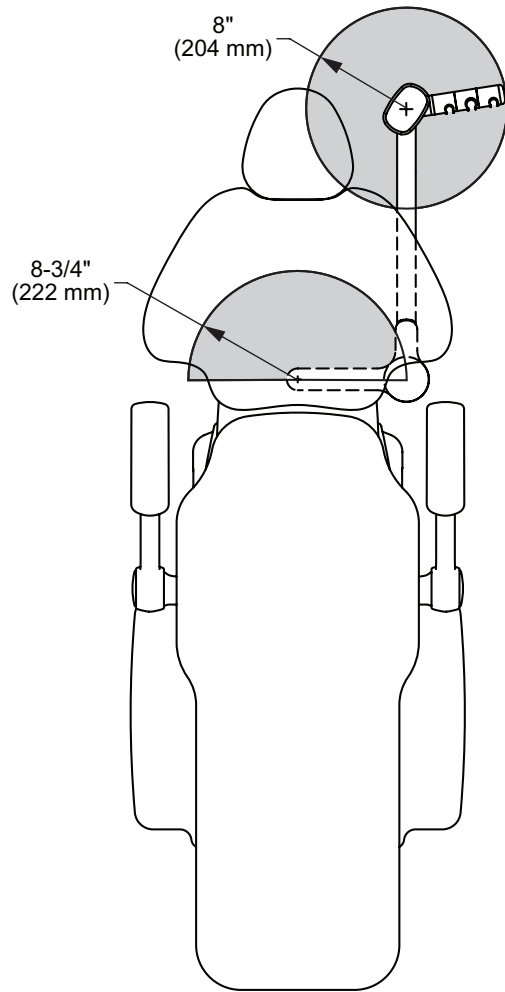
A-dec 551sta/551 Assistant's Instrumentation – Short Arm

Plan View with Elevation



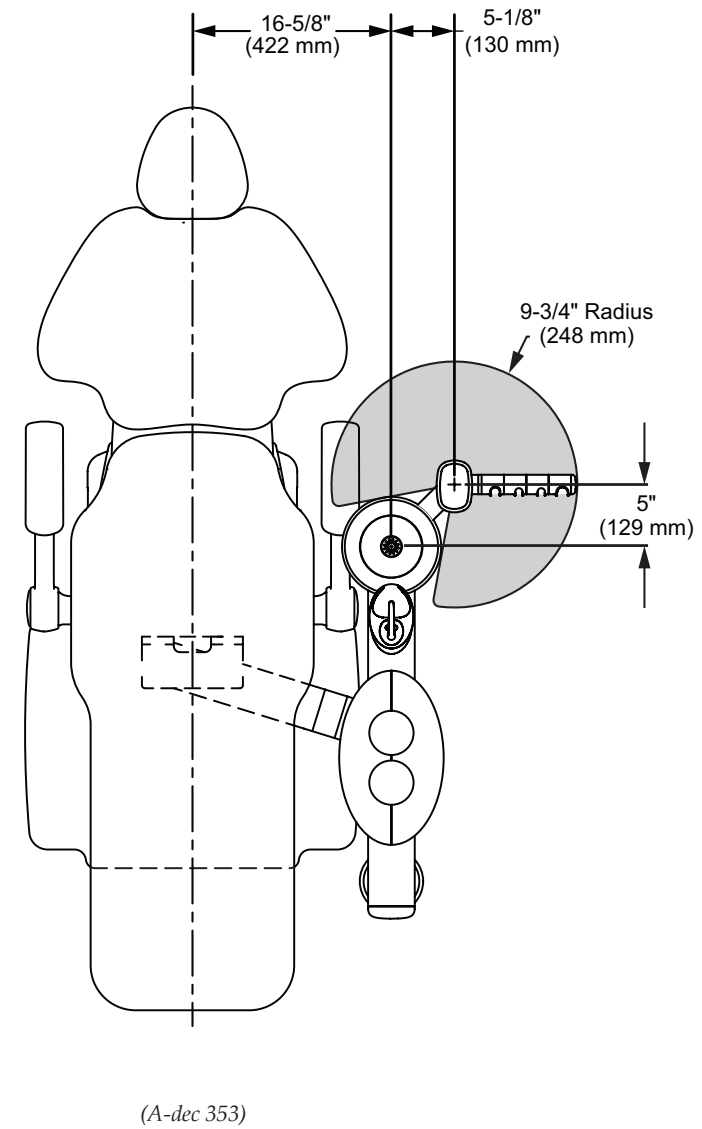
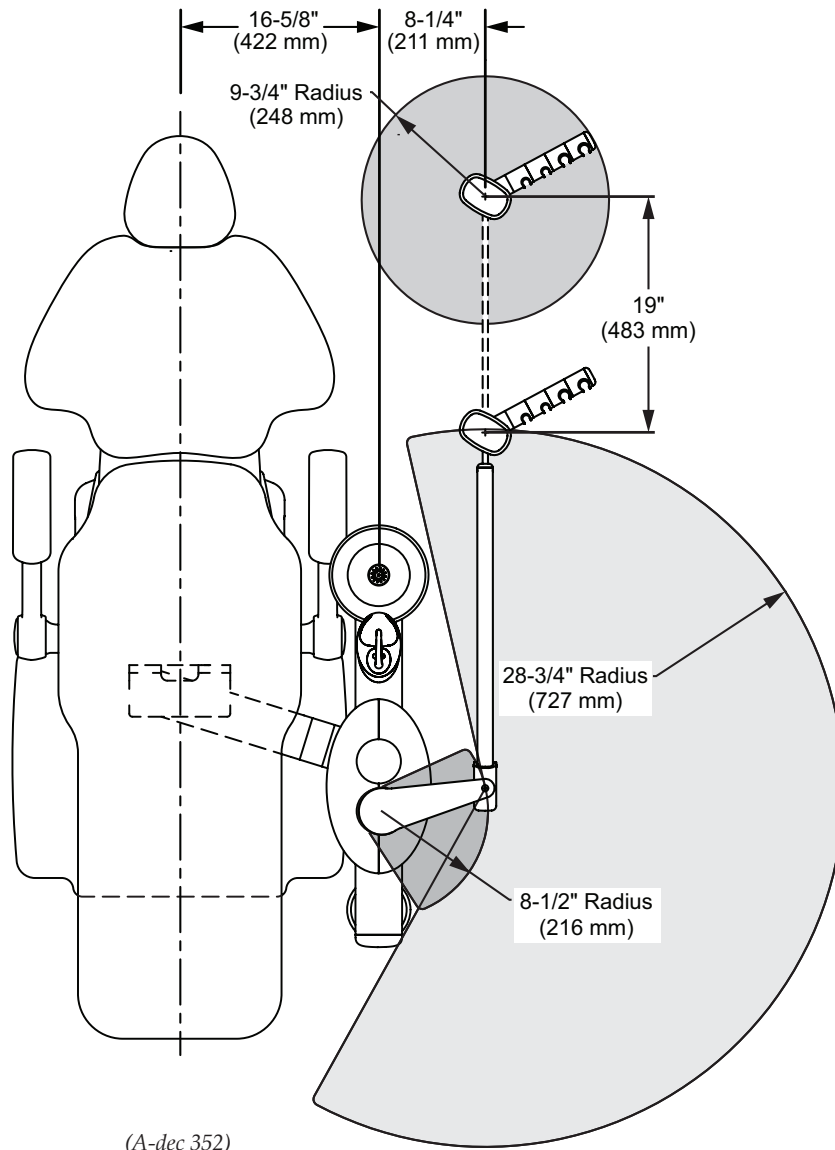
A-dec 351 Assistant's Instrumentation

Plan View with Elevation



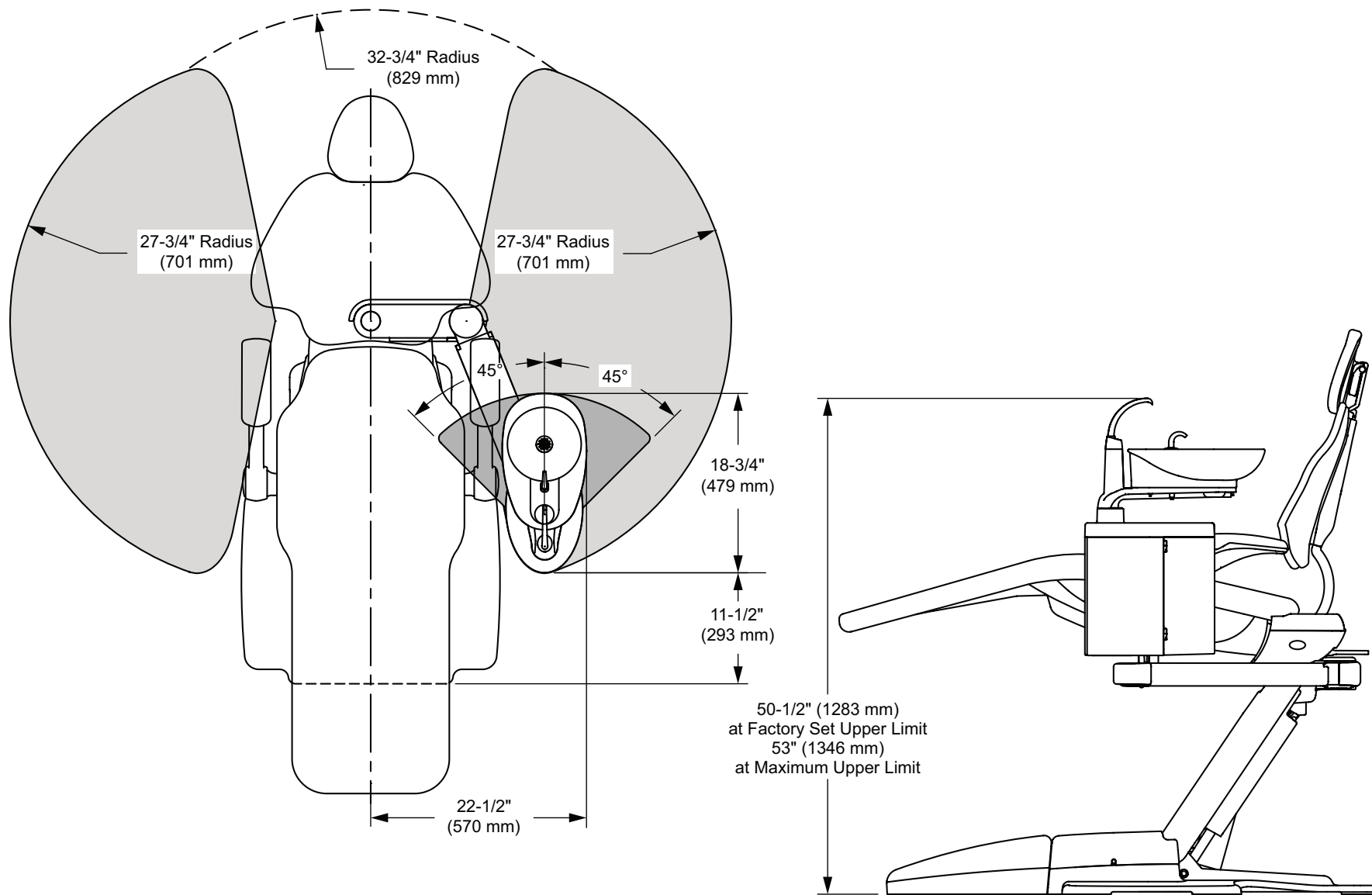
A-dec 352/353 Assistant's Instrumentation on A-dec 362 Support Center

Plan View with Elevation

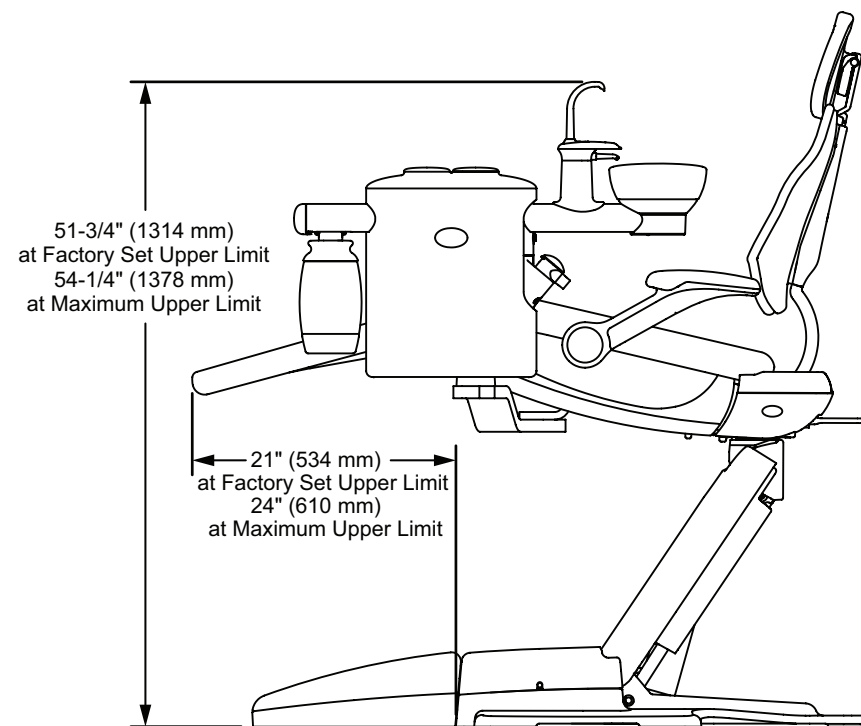
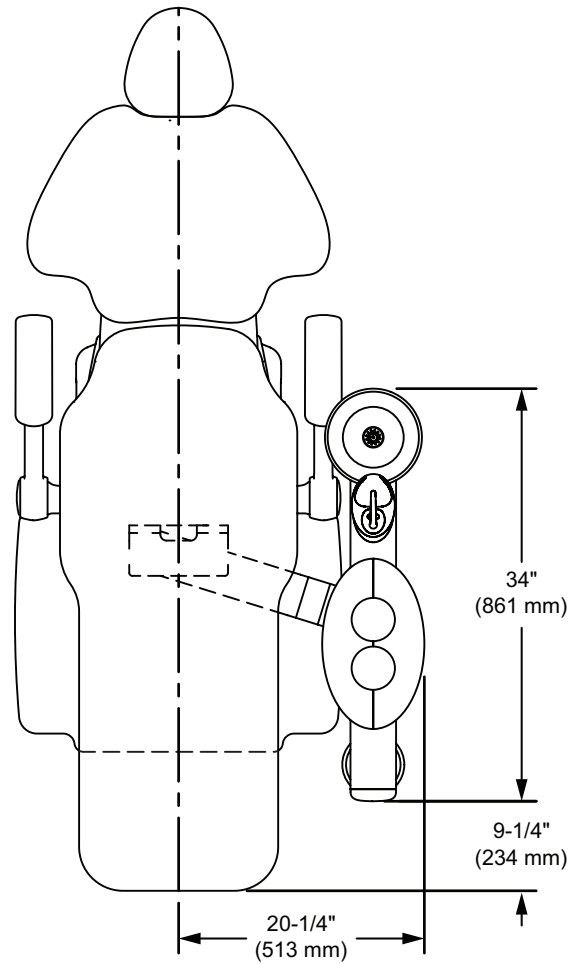


A-dec 461 Cuspidor with Support Center

Plan View with Elevation

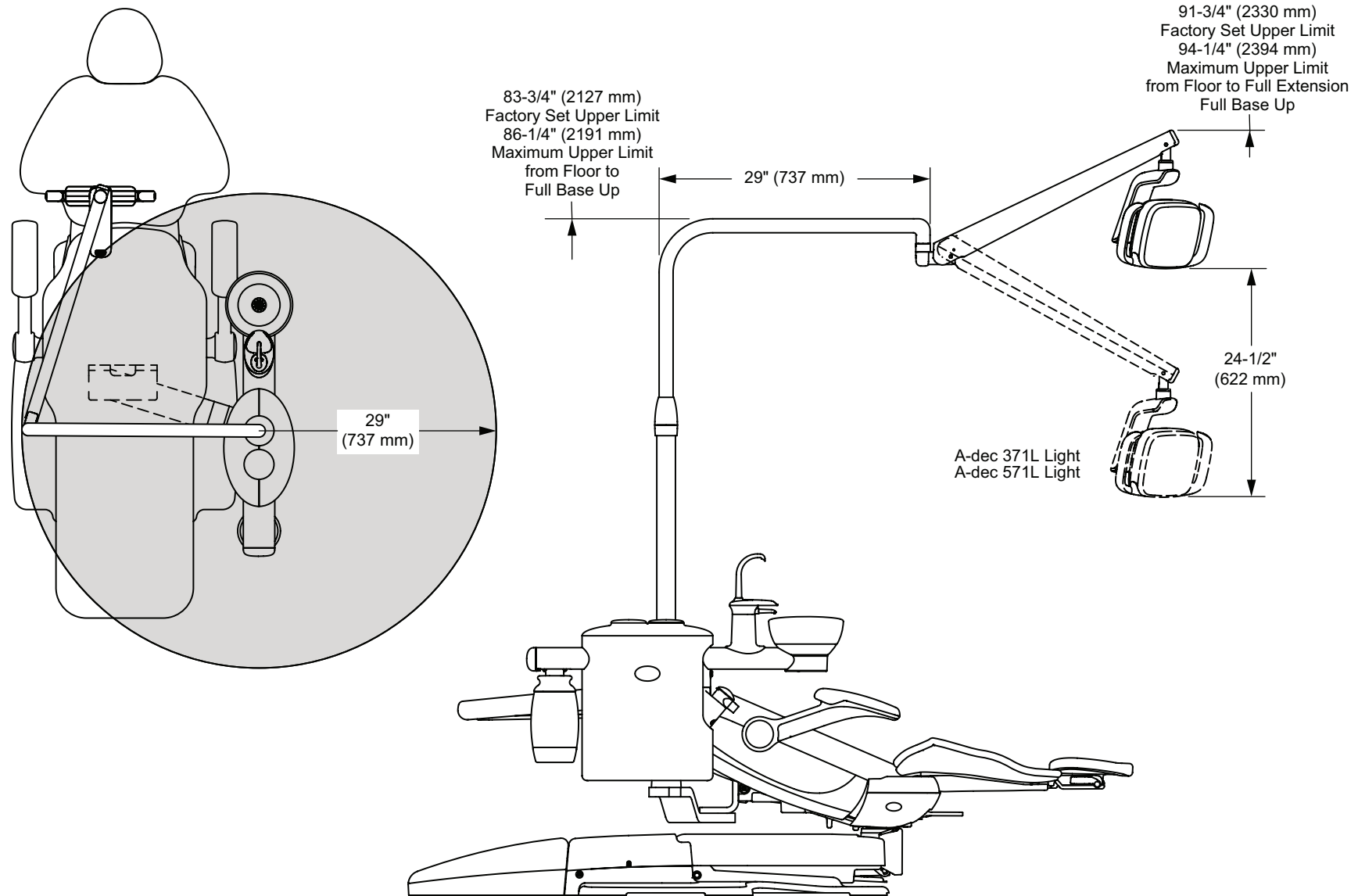


A-dec 362 Support Center with Cuspidor Plan View with Elevation



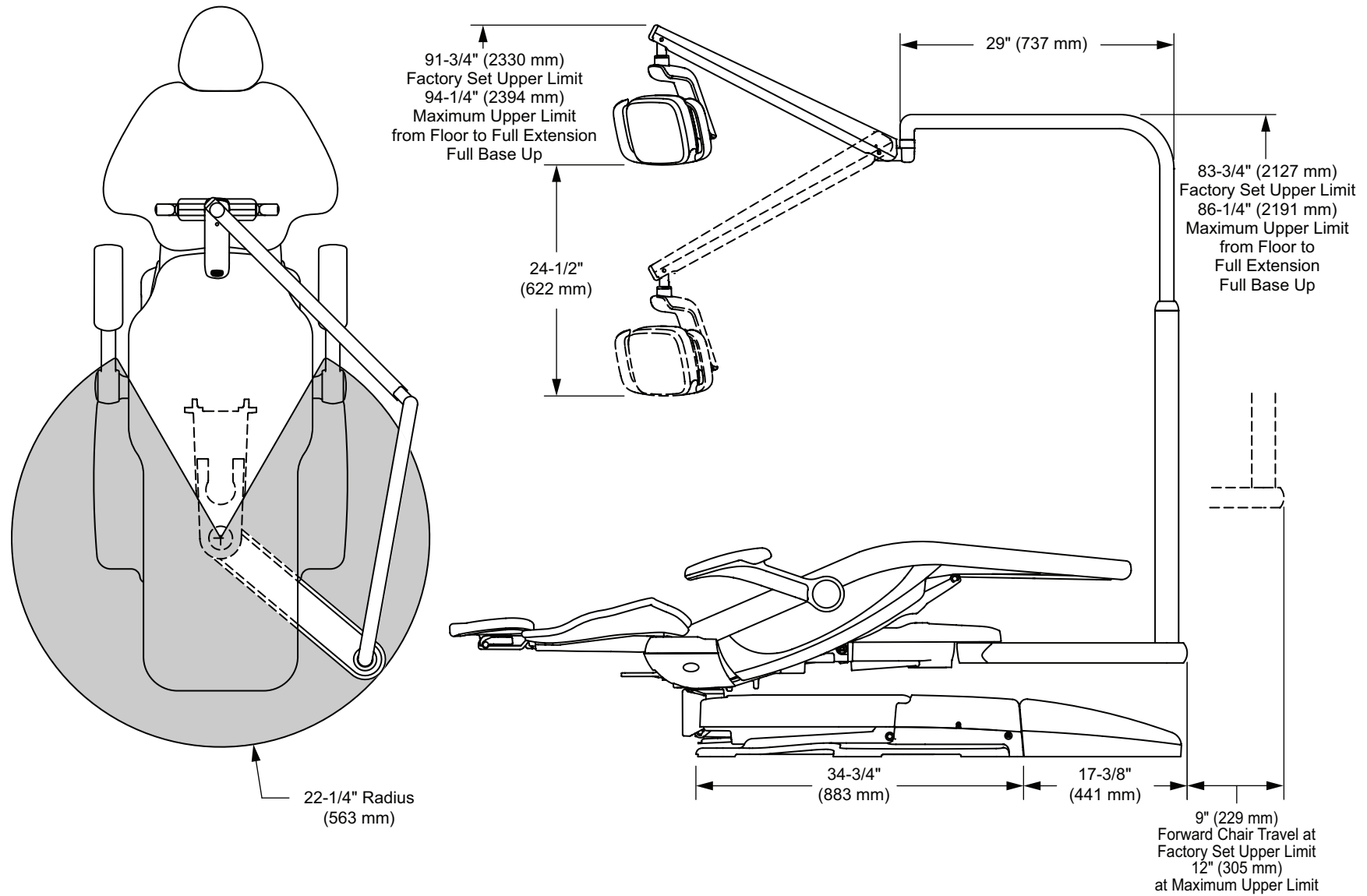
A-dec 571L/371 Dental Light on A-dec 362 Support Center

Plan View with Elevation



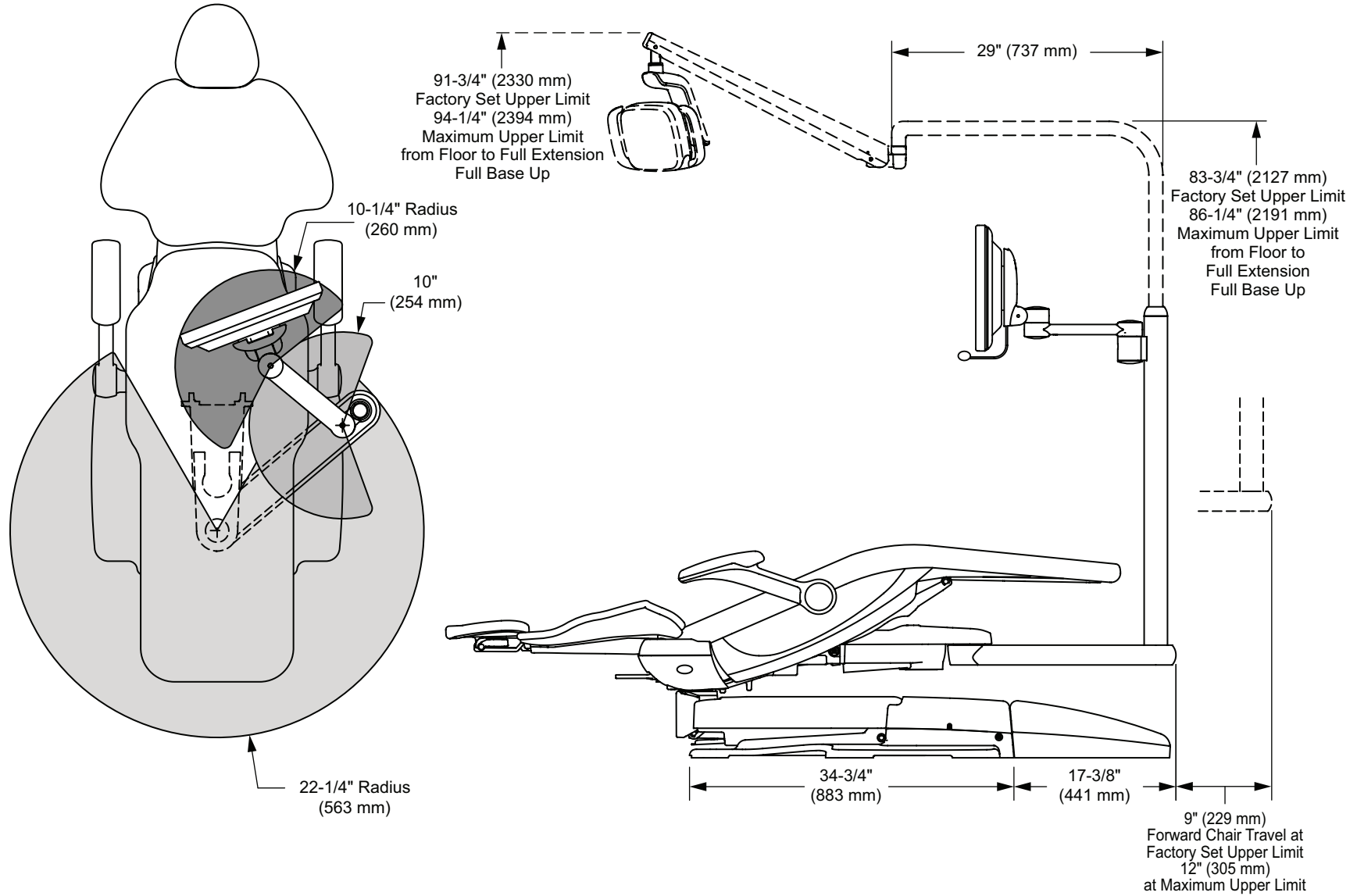
A-dec 572L Dental Light

Plan View with Elevation



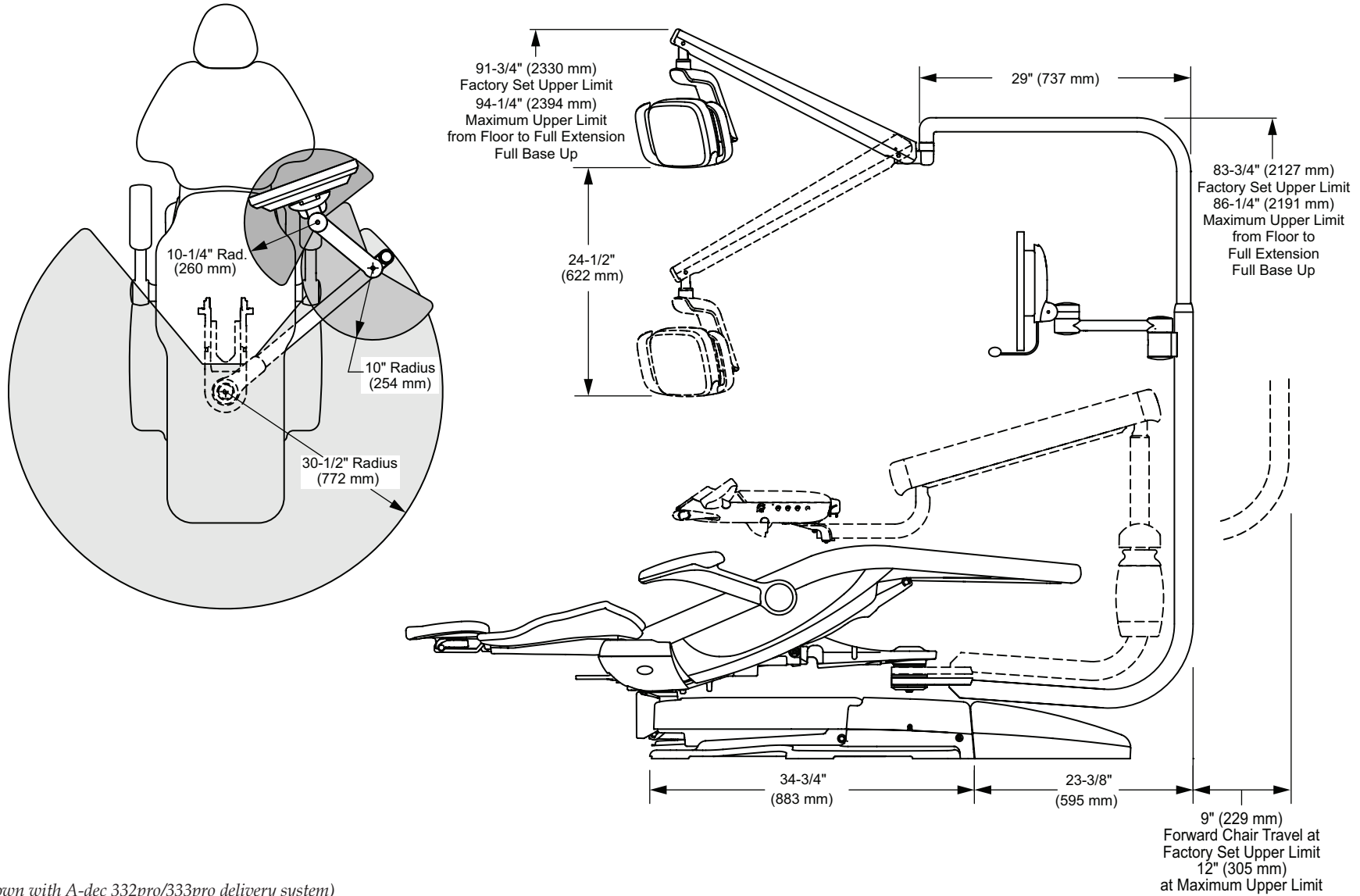
A-dec 482 Monitor Mount on A-dec 572L Dental Light

Plan View with Elevation



A-dec 482 Monitor Mount on A-dec 572L Dental Light with A-dec 300 Pro System

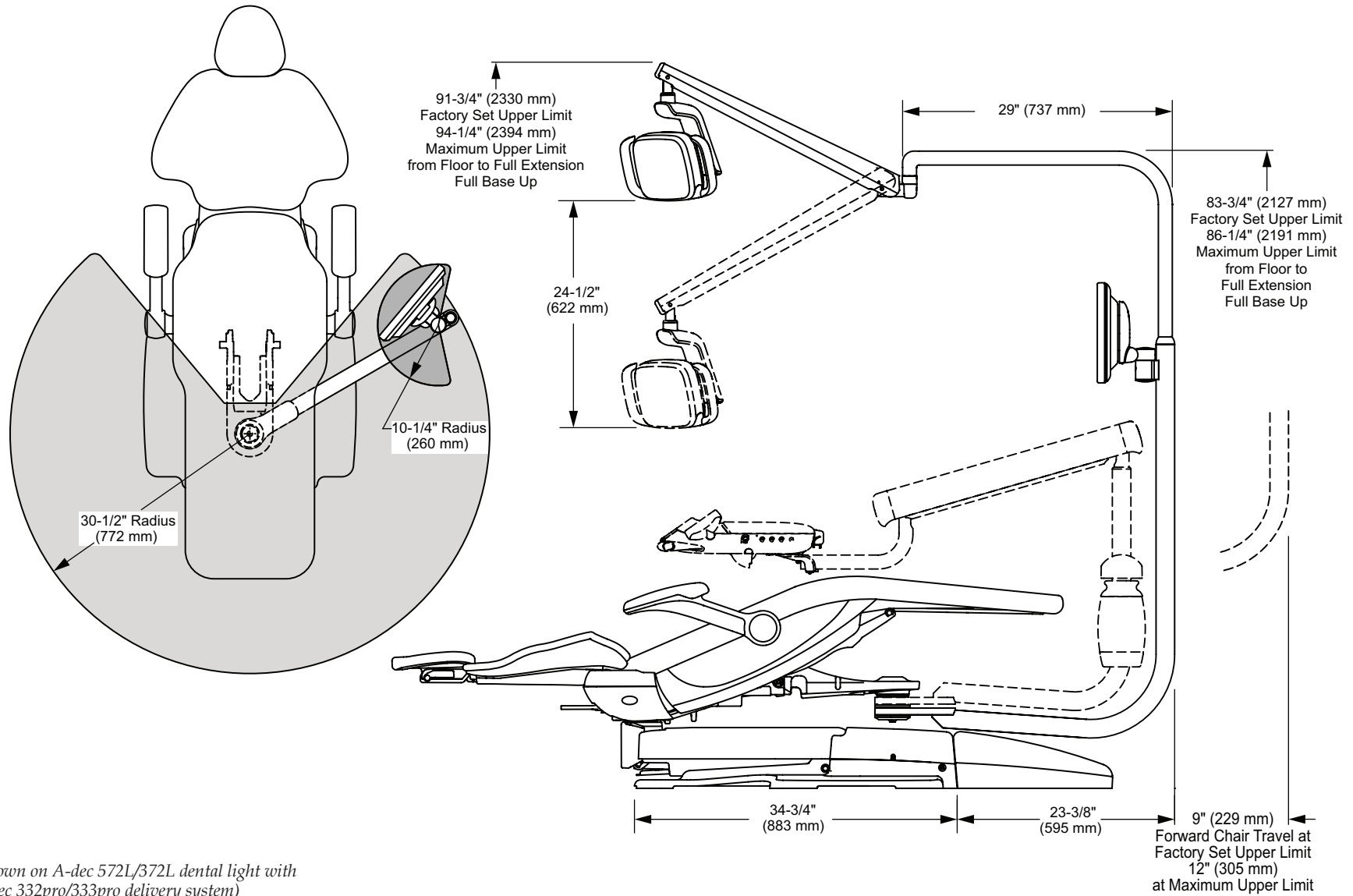
Plan View with Elevation



(Shown with A-dec 332pro/333pro delivery system)

A-dec 381 Monitor Mount on A-dec Dental Light with A-dec 300 Pro System

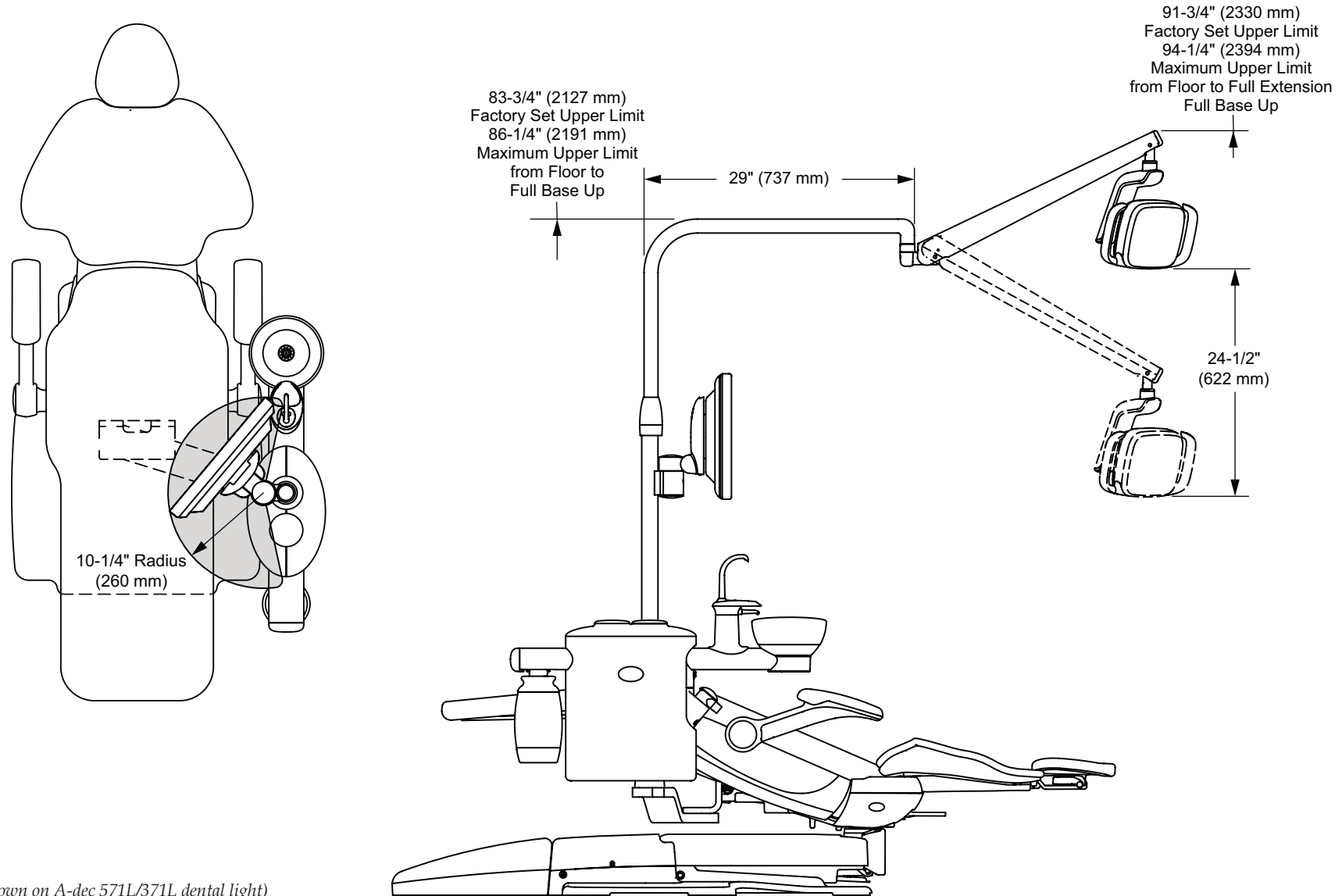
Plan View with Elevation



(Shown on A-dec 572L/372L dental light with
A-dec 332pro/333pro delivery system)

A-dec 381 Monitor Mount on A-dec Dental Light and 362 Support Center

Plan View with Elevation



(Shown on A-dec 571L/371L dental light)



 **A-dec Headquarters**

2601 Crestview Drive
Newberg, Oregon 97132
United States
Tel: 1.800.547.1883 within USA/CAN
Tel: +1.503.538.7478 outside USA/CAN
www.a-dec.com

A-dec Australia

Unit 8
5-9 Ricketty Street
Mascot, NSW 2020
Australia
Tel: 1.800.225.010 within AUS
Tel: +61.(0).2.8332.4000 outside AUS

A-dec China

A-dec (Hangzhou) Dental Equipment Co., Ltd.
Building 5, No. 528 Shunfeng Road
Tangqi Town, Yuhang District,
Hangzhou, Zhejiang, China 311100
Tel: 400.600.5434 within China
Tel: +86.571.89026088 outside China

A-dec United Kingdom

Austin House
11 Liberty Way
Nuneaton, Warwickshire CV11 6RZ
England
Tel: 0800.ADEC.UK (2332.85) within UK
Tel: +44.(0).24.7635.0901 outside UK

86.0753.00 Rev F
Date of Issue 2023-11-02
Copyright 2023 A-dec, Inc.
All rights reserved.