



A-dec® Dental Lights and Monitor Mounts

Service Guide

Contents

Overview	3	371L on A-dec 511 Chair, Support Side Mounted.....	31
Copyright and Regulatory Information	3	371L on A-dec 311/411 Chair, 362 or 363 Support Center.....	32
Dental Light Head Identification.....	4	372L on A-dec 311B/411/511A Chair	33
Dental Light Specifications	5	372L on A-dec Cascade/Decade Chair	34
Dental Light Mounting Locations	6	374L Cabinet Mounted.....	35
Dental Light Circuit Breaker Locations.....	7	375L Wall/Side Cabinet Mounted	36
Dental Light Operations and Adjustments	9	376L Ceiling Mounted.....	37
Dental Light Touchscreen and Control Pad Controls.....	9	377L Track Mounted.....	38
Dental Light Touchpad Controls	10	571L on A-dec 311 Chair	39
500 LED Dental Light Manual Controls	11	571L on A-dec 511 Chair, Support Side Mounted	40
300 LED Dental Light Manual Controls	12	572L on an A-dec 311B/411 Chair.....	41
Dental Light Bulb Replacement.....	14	572L on an A-dec 511 Chair, Radius Arm Mounted.....	42
Dental Light Shield Cleaning	16	573L Post Mounted	43
LED Dental Light Horizontal and Diagonal Tension Adjustment	17	574L Cabinet Mounted.....	44
LED Dental Light Vertical Tension Adjustment	18	575L Wall/Side Cabinet Mounted	45
LED Driver Housing Cover Adjustment	18	576L Ceiling Mounted.....	46
571/572/6300 Dental Light Rotation Adjustments.....	19	577L Track Mounted.....	47
371/372 Dental Light Rotation Adjustments	21	Universal Chair Circuit Board Components.....	48
Dental Light Flexarm Counterbalance Adjustment	21	Halogen 571/572/6300 Dental Light Circuit Board	
LED Dental Light Circuit Board Components	22	Components.....	50
300 LED Driver Circuit Board Identification (With Touchpad		A-dec 511 Chair Circuit Board	50
Functionality)	22	A-dec 6300 Dental Light Relay Circuit Board	52
300 LED Driver Circuit Board Identification (Without Touchpad		Halogen 571/572/6300 Light Wiring and Power	
Functionality)	23	Connections	53
500 LED Driver Circuit Board Identification.....	24	571 on A-dec 311/411/511 Chair, Radius Arm Mounted	53
LED Dental Light Indicator Light Circuit Board Identification	27	572 on an A-dec Support Center or Support Arm	54
LED Dental Light Terminal to CAN Adaptor Board Identification.....	28	6300 Ceiling, Wall, and Preference Mount Switch and Data Line	
LED Dental Light Wiring and Power Connections	29	Connections (Effective April 2004)	55
371L (With Touchpad Functionality) on an A-dec 200 Chair	29	6300 Track Light Switch Connections and Data Line	
371L (Without Touchpad Functionality) on an A-dec 200 Chair.....	30	(Effective April 2004).....	56

6300 Track Light Switch Connections and Data Line (Before April 2004).....	57
A-dec 571/572/6300 Dental Light Transformer	58
220-240 VAC Transformer Wiring.....	59
Halogen 371/372 Dental Light Circuit Board Components ...	60
A-dec 311/411 Dental Chair Circuit Board for 371/372 Dental Light on an A-dec 311 and 411 Chair.....	60
A-dec 511 Chair Board Components for 371/372 Dental Light on an A-dec 511 Chair.....	62
A-dec 371/372 Dental Light Relay Circuit Board.....	64
Halogen 371/372 Dental Light Wiring and Power Connections	65
371/372 Dental Light Connections.....	65
A-dec 371/372 Dental Light Wire Connections on an A-dec 311 Chair.....	66
A-dec 371 Dental Light Wire Connections on an A-dec 511 Chair	67
A-dec 371/372 Dental Light Wire Connections on Cascade/Decade/ Performer/Priority Chairs.....	68
Monitor Mounts	69
Monitor Mounts Overview.....	69
Monitor Mount Adjustments	71

Overview

Copyright and Regulatory Information

Copyright

© 2023 A-dec, Inc. All rights reserved.

A-dec, Inc. makes no warranty of any kind with regard to this material, including, but not limited to, the implied warranties of merchantability and fitness for a particular purpose. A-dec, Inc. shall not be held liable for any errors contained herein or any consequential or other damages concerning the furnishing, performance or use of this material. The information in this document is subject to change without notice. If you find any problems in the documentation, please report them to us in writing. A-dec, Inc. does not warrant that this document is error-free.

No part of this document may be copied, reproduced, altered, or transmitted in any form or by any means, electronic or mechanical, including photocopying, recording, or by any information storage and retrieval system, without prior written permission from A-dec, Inc.

Intellectual Property Rights

None of the trademarks or trade names in this document may be reproduced, copied, or manipulated in any manner without the express, written approval of the trademark owner.

A-dec, the A-dec design logo, and the trademarks listed at www.a-dec.com/legal/trademarks are trademarks of A-dec, Inc. and are registered in the United States and other countries. Certain touch control symbols and icons are proprietary to A-dec, Inc.

Other trademarks used herein may be claimed as the property of their respective owners. In the United States, Medicom and SafeShield are registered and unregistered trademarks of A.R. Medicom Inc. These may also be trademarks or registered trademarks in other countries.

Regulatory Information and Warranty

For required regulatory information and the A-dec warranty, see the *Regulatory Information, Specifications, and Warranty* document (p/n 86.0221.00) available in the Resource Center at www.a-dec.com.



For quick access to this document online, scan, tap, or click this QR code, which points to: a-dec.com/regulatory-guide.

Product Service

Product service is available through your local authorized A-dec dealer. For service information, or to locate an authorized dealer, contact A-dec at 1.800.547.1883 in the USA and Canada or +1.503.538.7478 worldwide, or visit www.a-dec.com.

Product Models and Versions Covered in This Document

Models	Versions	Description
371/372/571/572/6300	A	Dental Light
371L/372L/374L/375L/376L/377L 571L/572L/573L/574L/575L/ 576L/577L	A	Dental Light
300/381/382/482/531/581/584 585/586/587/591	A	Monitor Mount

Note: A-dec 378L/578/578L dental lights are covered in the A-dec Simulators Service Guide (p/n 86.0298.00).

Dental Light Head Identification

A-dec 571 - 577L LED Dental Light



A-dec 371L - 377L LED Dental Light



A-dec 371/372 Halogen Dental Light (2-Axis)



A-dec 571/572/6300 Halogen Dental Light (3-Axis)



Dental Light Specifications

! **NOTE** Specifications are subject to change without notice. Some requirements may vary from country to country. For more information, contact your authorized A-dec dealer.

A-dec LED Dental Light



A-dec Halogen Dental Light



Focal Range	16" - 30" (400 mm - 750 mm)	18" - 31" (457 - 787 mm)
Bulb	n/a	Quartz Xenon Halogen, single-end prongs
Bulb Rating	White HB-LED, 94 CRI	17 V / 95 W
Color temperature	5,000 Kelvin	5,000 Kelvin
Light pattern	5.7" x 3.8" at 27.6" (145 mm x 95 mm at 700 mm)	3.3" x 6.3" at 27.6" (84 mm x 160 mm at 701 mm)
Nominal Light Intensity	571L - 577L: ** Cure-safe Mode: 25,000 lux (2323 fc) High: 30,000 lux (2787 fc) Medium: 25,000 lux (2323 fc) Low: 15,000 lux (1394 fc) 371L/372L: High: 25,000 lux (2323 fc) *** Composite/Low: 8,000 lux (743 fc)	High: 24,000 lux (2230 fc) Medium: 20,000 lux (1858 fc) Low: 8,000 lux (743 fc)
Heat Output (BTU per Hour)	77	325

* For electrical specifications, identification of symbols, and other regulatory requirements, refer to the *Regulatory Information, Specifications, and Warranty Instructions for Use* (p/n 86.0221.00).

** The LED cure-safe mode provides effective illumination while preventing the premature curing of photo-initiated composites, sealants, and adhesives. This mode uses a medium intensity light setting and a non-reactive wavelength of light.

*** Composite mode is an industry accepted term and is not intended to meet the ISO 9680:2014, 5.2.10 standard.

Dental Light Mounting Locations



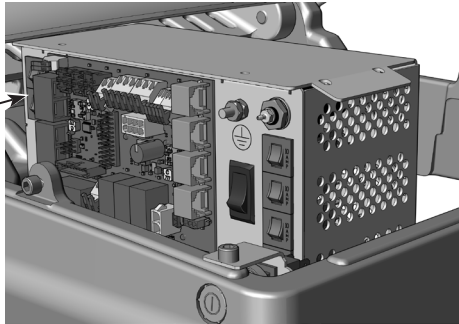
Dental Light Circuit Breaker Locations

A circuit breaker will interrupt the flow of electricity under abnormal conditions. If the circuit breaker should trip, inspect the wiring to ensure there are no shorts, and reset by pushing the circuit breaker. If the circuit breaker for the dental light is located on the power supply, its location varies by chair. For non-chair based lights, use the operator's circuit breaker.

Chair Model/ Location	Circuit Breaker Location
--------------------------	--------------------------

Universal Power
Supply
Effective June 2023

CB6

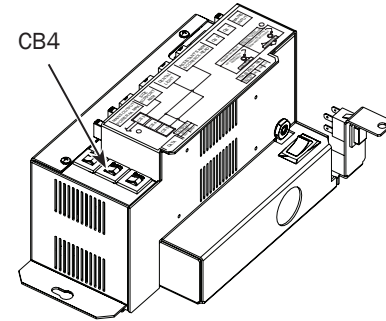


Chair Model/ Location	Circuit Breaker Location
--------------------------	--------------------------

A-dec 511
Before June 2023

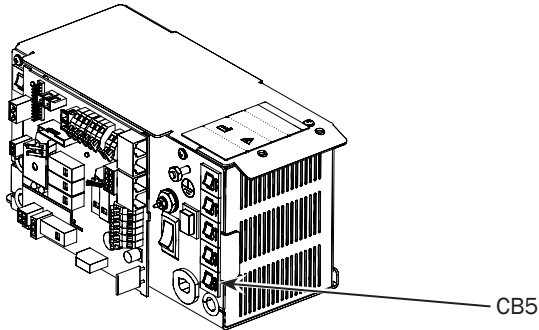
Chair Motor
Pump Area

CB4



A-dec 311/411
Before June 2023

Chair Motor
Pump Area

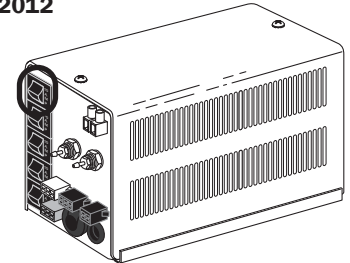
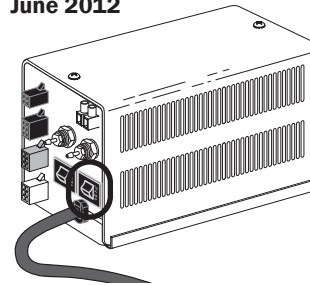


Cascade,® Decade,®
Performer,® A-dec
200, early model
A-dec chairs

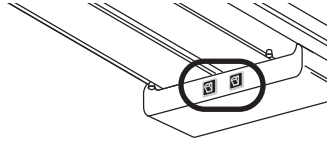
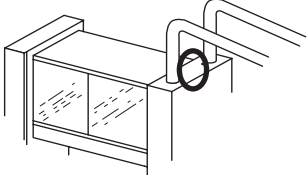
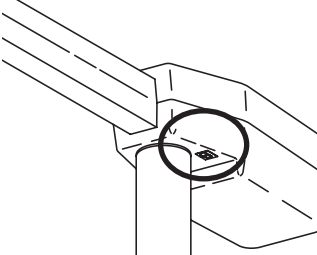
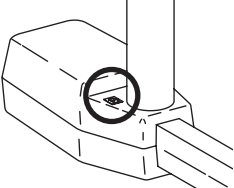
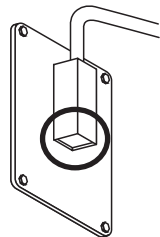
Utility Floor Box

**Before
June 2012**

**Effective June
2012**



Dental Light Circuit Breaker Locations (continued)

Mounting Location	Circuit Breaker Location
Track Mount	
Cabinet Mount	
Post Mount: Cascade, [®] Decade, [®] Performer, [®] early model A-dec chairs	
Ceiling Mount	
Wall Mount	

Dental Light Operations and Adjustments

Dental Light Touchscreen and Control Pad Controls

See the section for the type of control interface on your system.



For touchscreen and control pad use, see the *A-dec Touchscreens and Control Pads Instructions for Use* (p/n 86.0857.00) at a-dec.com/touchscreen-manual.



For configuring connectivity features, see the *A-dec+™ Instructions for Use* (p/n 86.1030.00) at a-dec.com/connectivity-manual.

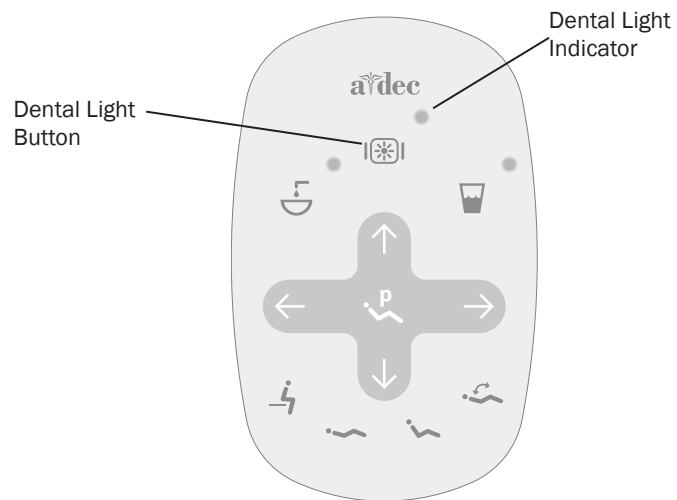


**Note.* Touch control symbols and icons are proprietary to A-dec, Inc.

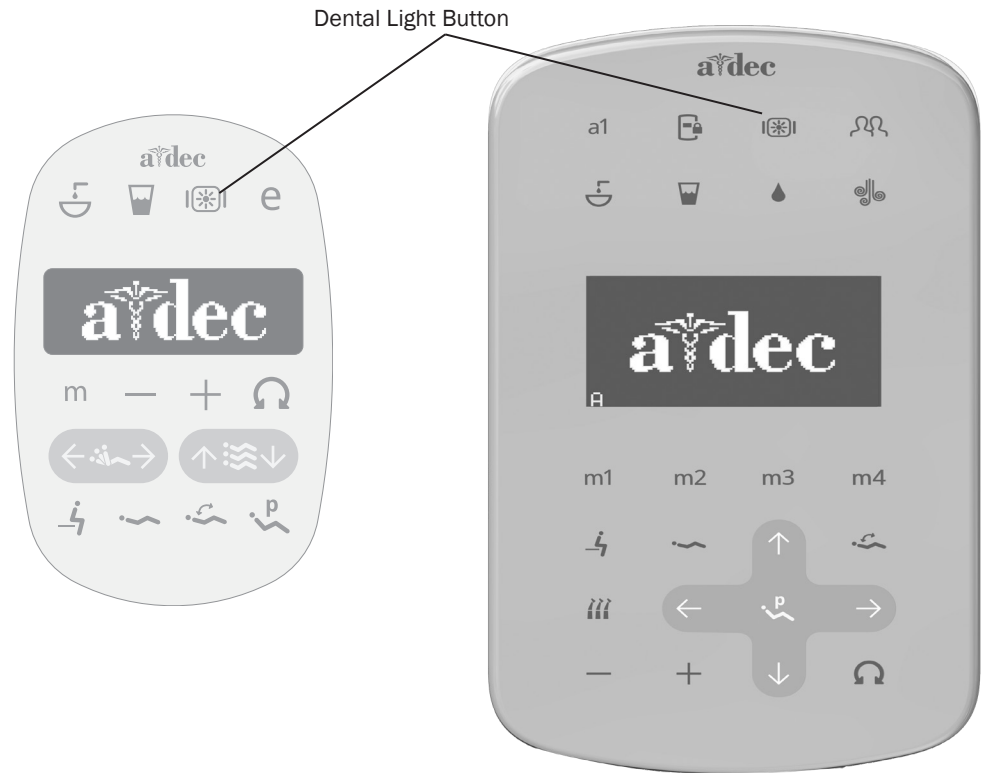
Dental Light Touchpad Controls

The dental light can be operated from the touchpad on the A-dec 200, 300 and 500 systems. Press the light button on the touchpad to turn on the light, and press and hold the light button to turn the light off.

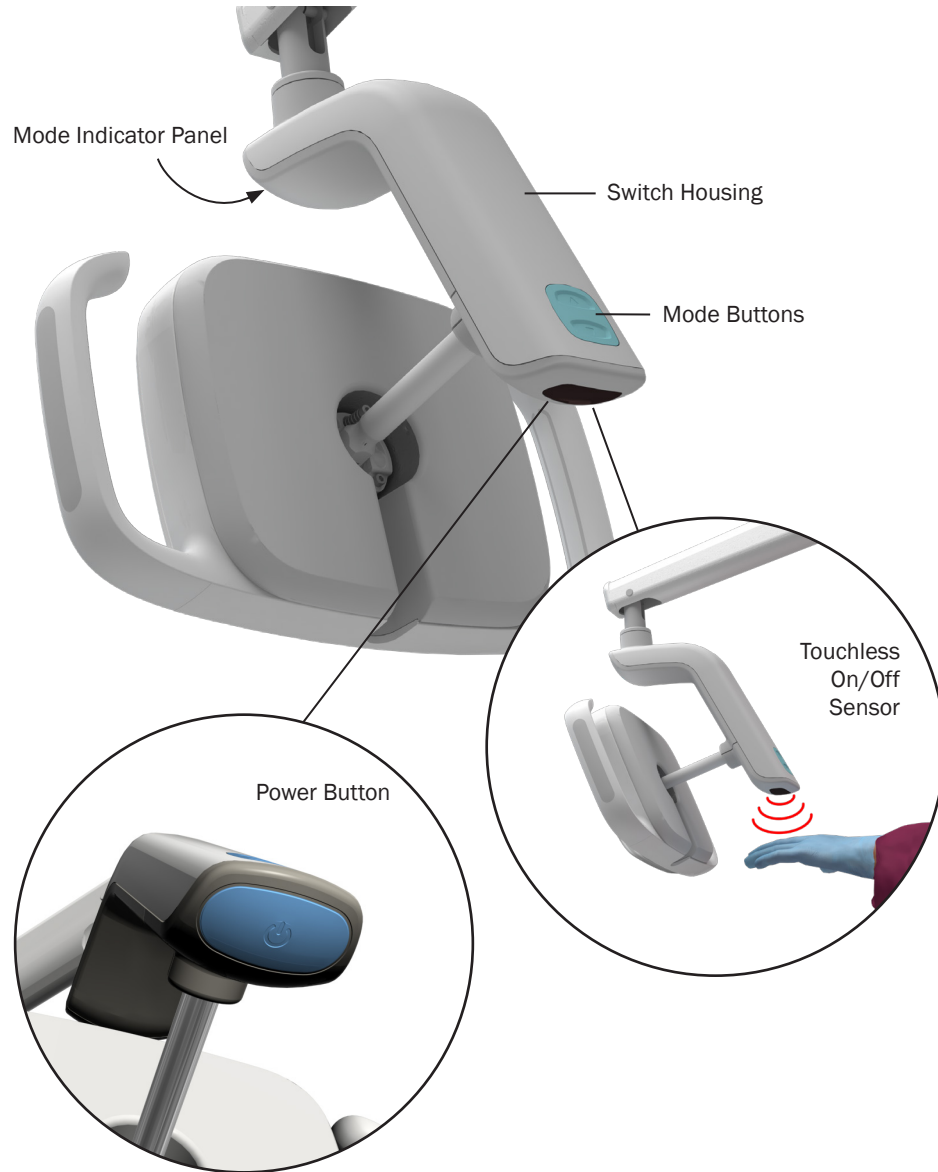
Standard Touchpad



Deluxe Touchpads



500 LED Dental Light Manual Controls



You can use the controls located on the light or on an A-dec touchpad to operate the dental light. The light may have a touchless on/off sensor or power button.

Touchless On/Off Sensor

Move your hand within 3" (76 mm) below the sensor to turn the light on or off.



NOTE Black gloves may impact the sensor's ability to activate the dental light. If you are using white or light-colored gloves and the light still does not turn on, verify that the delivery system and/or chair power is on.

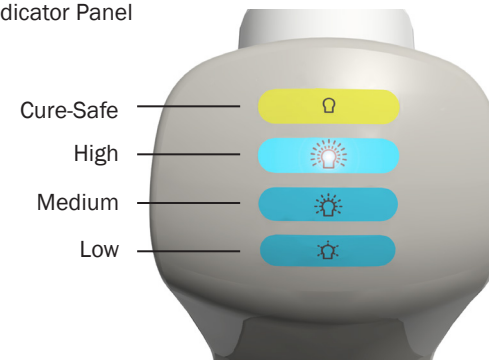
Power Button

Press the power button to turn the light on or off.

Mode Buttons

Use the mode buttons to choose from four intensity levels: low, medium, high, and the cure-safe setting. The illuminated indicator shows the selected mode. The dental light retains the selected mode unless the entire system is turned off, which resets the light to medium intensity.

Mode Indicator Panel



300 LED Dental Light Manual Controls

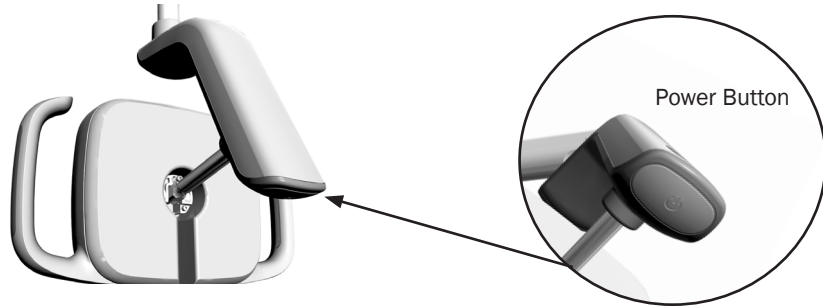
Power Button

With Touchpad Functionality

To turn on the light, use the touchpad or the power button on the dental light. To change light intensity, use the touchpad.

Lights Without Touchpad Functionality

To turn on the light and change light intensity, use the power button on the dental light. If the light does not turn on, verify that the delivery system and/or chair power is on. The light cycles through high-low-off.



Touchless Sensor

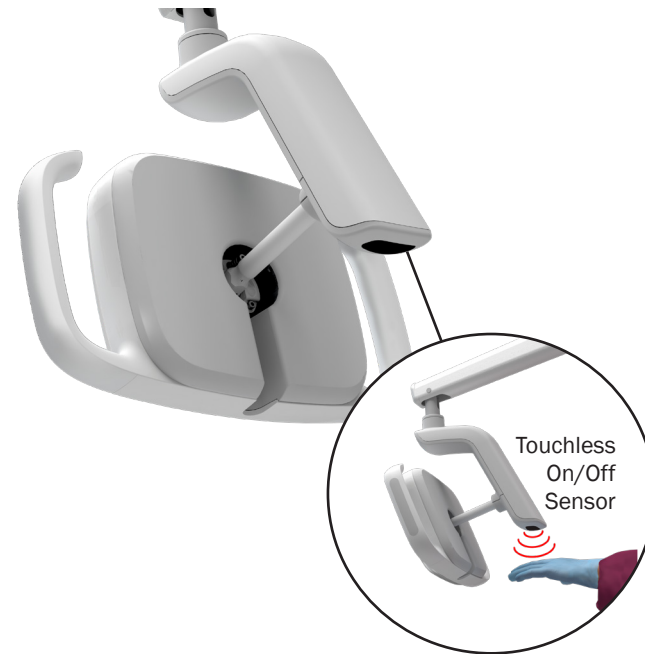
Lights With Touchpad Functionality

Move your hand within 3" (76 mm) of the touchless on/off sensor to turn the light on or off. The light cycles through on and off.

Lights Without Touchpad Functionality

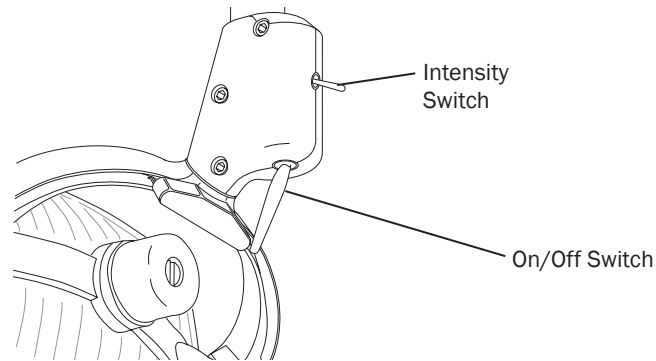
Move your hand within 3" (76 mm) of the touchless on/off sensor. The light cycles through high-low-off.

If the light does not turn on, verify that the delivery system and/or chair power is on. If the light doesn't work properly, check the wiring connections.



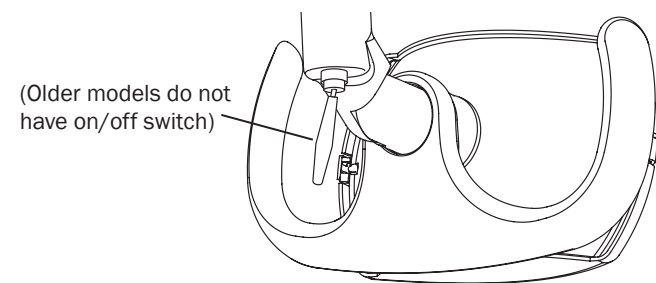
571/572/6300 Dental Light Manual On/Off and Intensity

The on/off switch is used to activate the light. The intensity switch toggles between this light's three intensity settings (composite, high, and medium). The dental light button on the touchpad works as a three-way switch with the on/off switch on the light.



371/372 Dental Light Manual On/Off and Intensity

The on/off switch is used to activate the light. With a touchpad, press the dental light button to activate the light and to toggle between intensity settings.



NOTE For the A-dec 371/372 Dental Light, medium and composite intensity settings are available if preferred over high and composite. Contact A-dec Customer Service for instructions.

Halogen Dental Light Intensity Switch Voltage Measurements

The following are the voltage measurements for Halogen lights. If the switch needs to be replaced, the replacement kit is p/n 90.1039.00.

Position	Voltage	Wire
Open	5 VDC	White
Closed	0 VDC	White



NOTE All DC voltage measurements are taken with the black multimeter lead on the black/white wire.



CAUTION Circuit boards are sensitive to static electricity. Electrostatic Discharge (ESD) precautions are required when touching a circuit board or making connections to or from the circuit board. Circuit boards should be installed only by an electrician or qualified service person.

Auto On/Off Function (With Touchpad Functionality)

A-dec 200, 300, and 500 touchpads are factory set to turn on the dental light when the chair back reaches a preset operating position. When the chair back moves out of the operating position, the light automatically turns off.

- To turn off the auto on/off feature, press and hold the program and dental light buttons for three seconds at the same time. One beep confirms the feature is off.
- To turn on the auto on/off feature, press and hold the program and dental light buttons for three seconds at the same time. Three beeps confirm the feature is on.

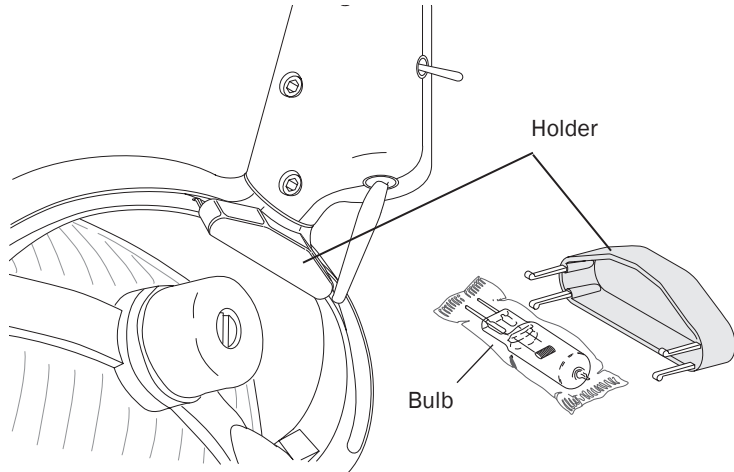


NOTE All DC voltage measurements are taken with the black multimeter lead on the black/white wire.

Dental Light Bulb Replacement

571/572/6300 Dental Light

1. Turn off the light, and allow the light to cool.
2. Pull the plastic holder from the light yoke. Remove the bulb from the holder, but do not remove the outer wrapper.



CAUTION Do not remove the outer wrapper when handling the new bulb. Finger oils can affect light performance and severely limit bulb life. If you should inadvertently touch the bulb, gently clean it with cotton dampened with isopropyl or ethyl alcohol.



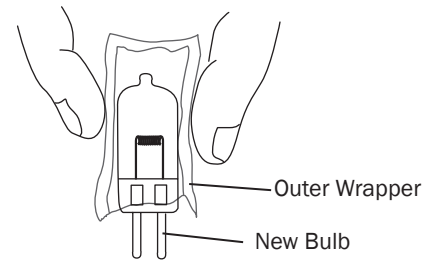
WARNING To avoid burning your fingers, allow the light shield to cool before removing. Never operate the dental light with the light shield removed. The light shield contains UV blocking additives. The light shield is also your protection in the unlikely event that the bulb shatters.

3. Release the toggles on the light shield and set the shield aside.
4. Use a gauze pad or cloth to protect fingers. Carefully pull the old bulb from its socket. Discard the bulb.

5. Hold the new bulb in its outer wrapper with the pins facing away, and carefully insert it in the socket. The bulb base is fragile and can break under excess pressure.



NOTE Part of the pins are still visible when the bulb is fully inserted.



6. Remove and discard the outer wrapper, then reinstall the light shield.
7. Verify the operation of the light by turning it on and operating it at each intensity setting.



CAUTION Use of a halogen bulb other than A-dec p/n 041.709.00 (Phillips 14623, G 6.35, 17 V, 95 W) may result in damage to the bulb socket.

8. Reorder the bulb, p/n 041.709.00.

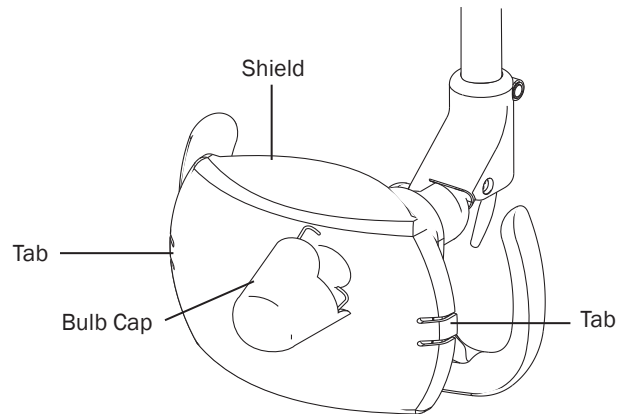
371/372 Dental Light

A spare bulb is included with your dental light. Follow these steps when replacing the bulb.



WARNING To avoid burning your fingers, allow the light shield to cool before removing. Never operate the dental light with the light shield removed. The light shield contains UV blocking additives. The light shield is also your protection in the unlikely event that the bulb shatters.

1. Turn off the light and allow it to cool.
2. Gently pull out on the light shield tabs, then pull the edges of the shield toward you. Set the light shield aside.



3. Remove the bulb cap by rotating it counterclockwise. Set the bulb cap aside.



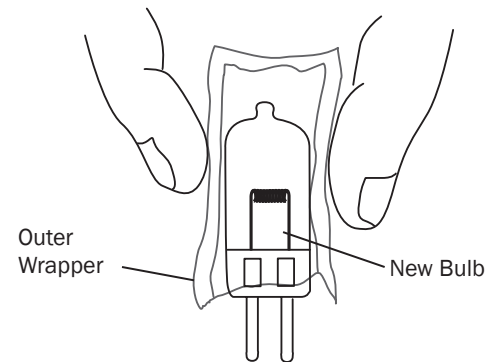
CAUTION Take care when handling the bulb. The bulb base is fragile and can break under excessive pressure.

Using a gauze pad or cloth to protect your fingers, carefully pull the old bulb from its socket. Discard the bulb.



CAUTION Do not remove the outer wrapper when handling the new bulb. Finger oils can affect light performance and severely limit bulb life. If you should inadvertently touch the bulb, gently clean it with cotton dampened with isopropyl or ethyl alcohol.

4. Holding the new bulb in its outer wrapper with the pins away from you, carefully insert the bulb pins into the socket. A small section of each pin is still visible when the bulb is fully seated.



5. Remove and discard the outer wrapper, then reinstall the bulb cap and light shield.



CAUTION Do not attempt to install the light shield if it has a broken tab. Contact your authorized A-dec dealer for replacement shield and install before operating the light.

6. Verify the operation of the light by turning it on and operating it at each intensity setting.
7. Reorder the bulb, p/n 041.709.00.

Dental Light Shield Cleaning

Halogen Dental Light Shield



WARNING To avoid personal injury, be sure that the light has cooled before cleaning it.

1. Turn off the dental light.
2. Release the toggles on either side of the light to remove the light shield.
3. To clean the light shield use a small amount of non-abrasive liquid soap and warm water to wash it. Rinse and dry with a non-abrasive, lint free cloth.

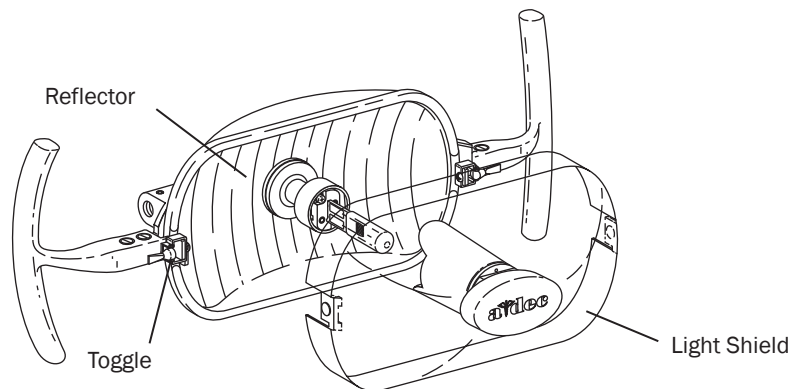
If necessary, soak the pad or cloth with water or with a diluted solution of mild dish washing liquid before cleaning. Make certain no residue remains on the surface. Do not use abrasives or chlorine (such as household bleach) on the surface of the reflector. These can damage or discolor the reflector surface.



CAUTION Do not rub heavily, clean the light shield when it is hot, or soak the shield assembly in cleaning solution. Doing so may damage the shield assembly components. Clean the light shield only as instructed.



CAUTION Do not attempt to install the light shield if it has a broken tab. Contact your authorized A-dec dealer for a replacement shield and install before operating the light.



LED Dental Light Shield

A-dec recommends barriers to protect the dental light shield. In the event that the light shield needs to be cleaned, carefully clean the light shield in place using a soft cotton cloth with non-abrasive soap and water.



NOTE A-dec recommends the SafeShield™ disposable barrier by Medicom®, p/n 9565.



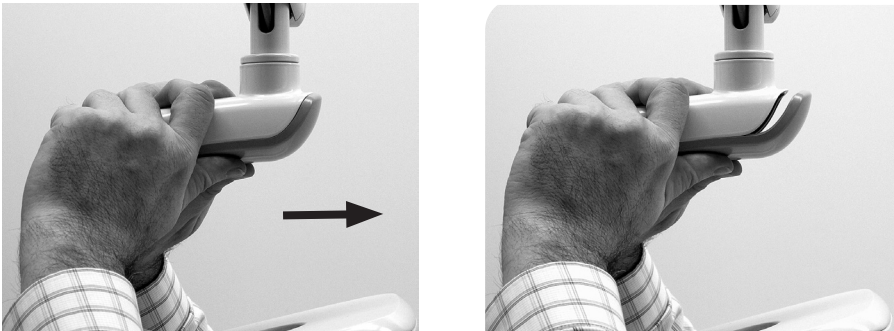
CAUTION Do not remove the shield unless absolutely necessary. The shield is fitted with a gasket to prevent dust and debris from entering the lens assembly. If liquid or dirt should bypass the gasket, the shield can be removed for cleaning. Use a flat-blade tool that won't damage the light housing. After removing the shield, do not touch or attempt to clean the multi-lens assembly or you may damage the component.

LED Dental Light Horizontal and Diagonal Tension Adjustment

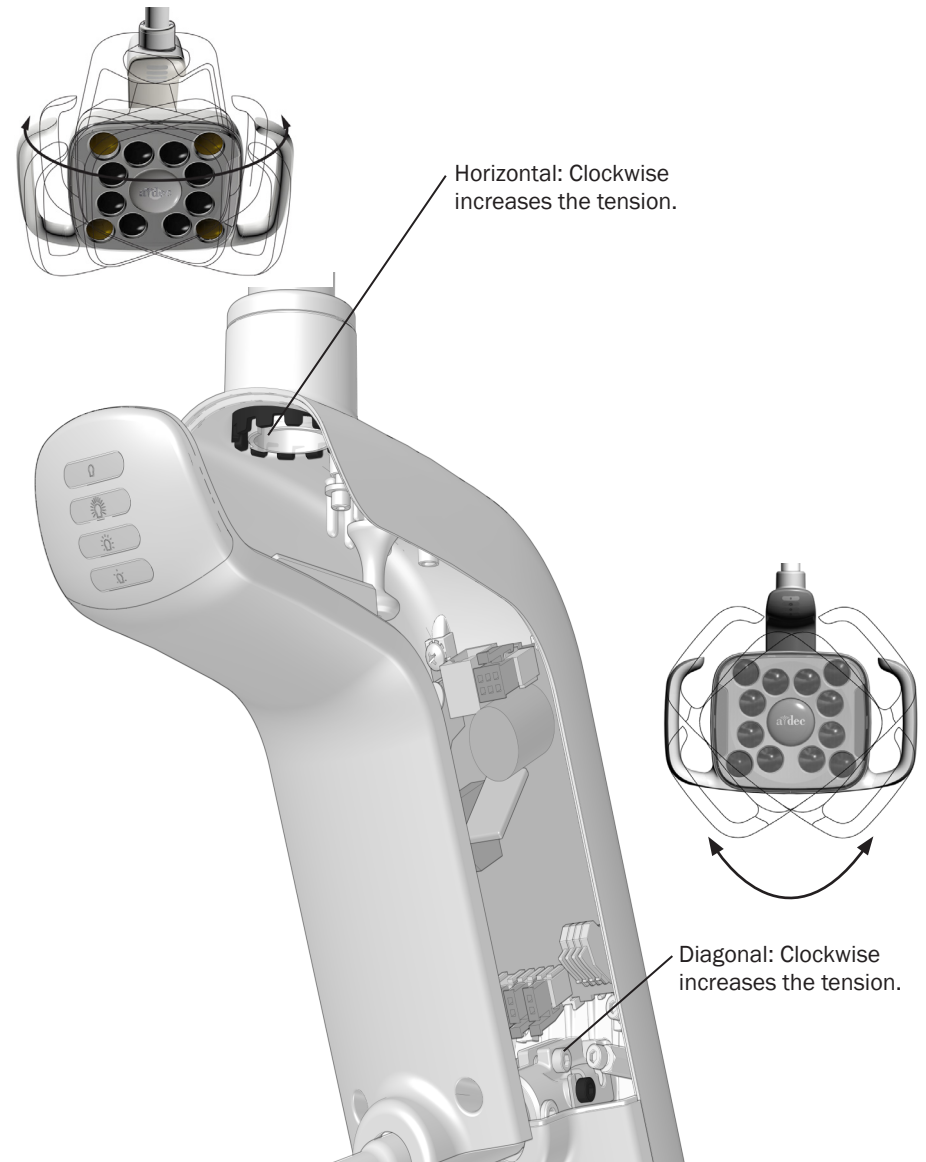
1. To adjust the horizontal and diagonal tension, remove the indicator cover. Remove two screws securing the driver housing cover.



2. Grasp the driver housing and use your thumbs to push the driver housing cover away from the driver housing.



3. To adjust the horizontal tension, rotate the friction adjustment.
4. To adjust diagonal tension, turn the screw.



LED Dental Light Vertical Tension Adjustment



LED Driver Housing Cover Adjustment



CAUTION Shock hazard. When you remove or replace the covers, take care not to damage any wiring or tubing. Verify that the covers are secure after you replace them.

1. Position the driver housing cover so the keyhole fits around the post; then push the driver housing cover into position with your palm.



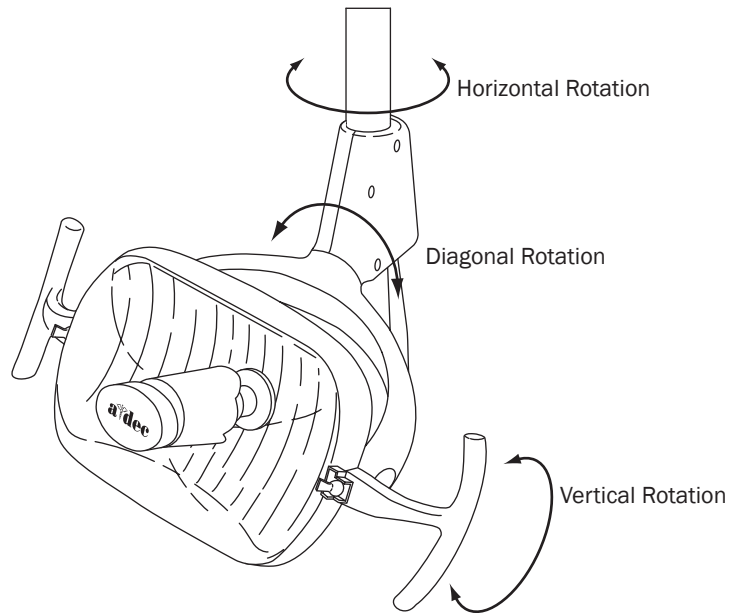
2. Use the screws to secure the cover.



571/572/6300 Dental Light Rotation Adjustments

Light Head Rotation

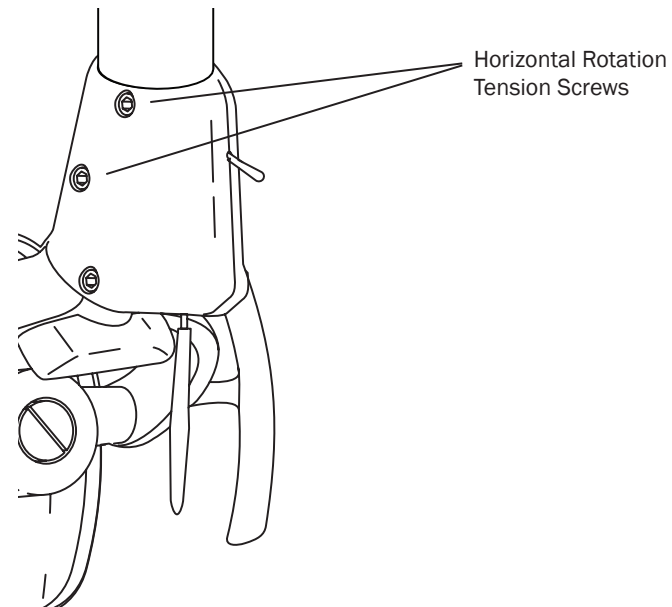
The light head needs adjusting if it is difficult to position, moves too easily, or drifts out of position.



Horizontal Rotation

Use a hex key to make horizontal rotation adjustments, beginning with the top screw.

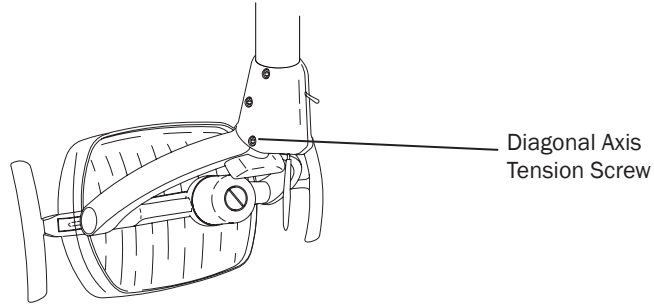
- Increase the tension by turning the screws clockwise.
- Loosen the tension by turning the screws counterclockwise.



571/572/6300 Diagonal Axis Rotation

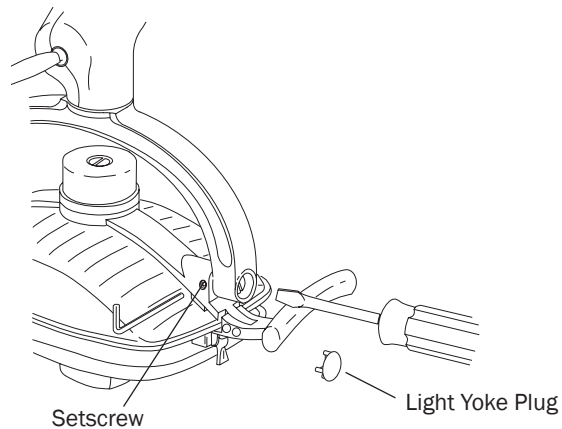
Adjust the screw at the bottom of the switch housing.

- Increase the tension by turning the screw clockwise.
- Loosen the tension by turning the screw counterclockwise.
- To eliminate all movement in the diagonal axis, tighten the adjustment screw until it is tight.



571/572/6300 Vertical Rotation

1. On one side of the light head, loosen the setscrew.
2. Remove the light yoke plug.



3. Use a large flat-blade screwdriver to turn the adjustment screw under the light yoke plug.
 - Increase the tension by turning the screw clockwise.
 - Loosen the tension by turning the screw counterclockwise.
4. Retighten the setscrew, and reinstall the light yoke plug.

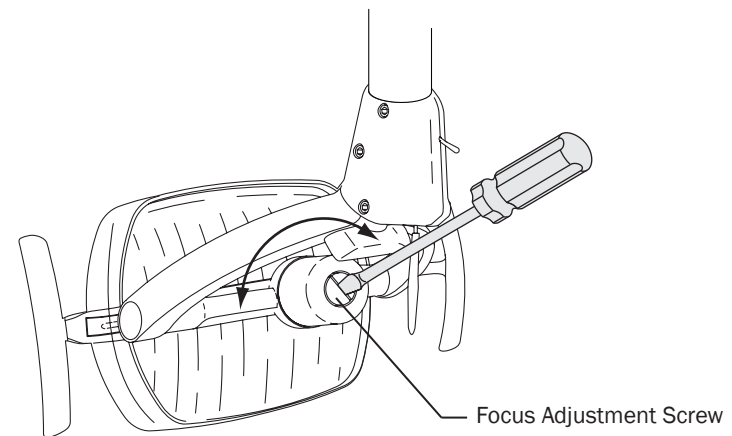
571/572/6300 Focus Adjustment

1. Place a white towel over the chair headrest to represent the oral cavity.
2. Position the light head at the distance normally used when working in the oral cavity. (Select a distance representative of most procedures.)



NOTE The focal range specification is 18" - 31" (457 - 787 mm).

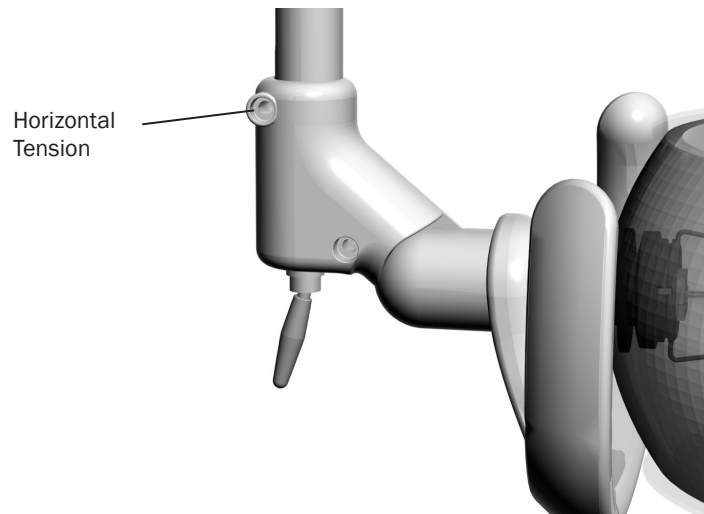
3. Turn the light on.
4. Use a large screwdriver to turn the focus adjusting screw until the light is most uniform.



371/372 Dental Light Rotation Adjustments

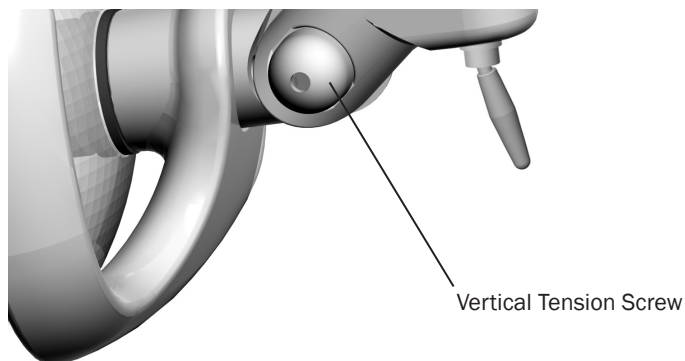
Horizontal Rotation

To adjust the horizontal rotation, use a 5/32" hex key to tighten or loosen the adjustment screw at the top of the light housing.



Vertical Rotation

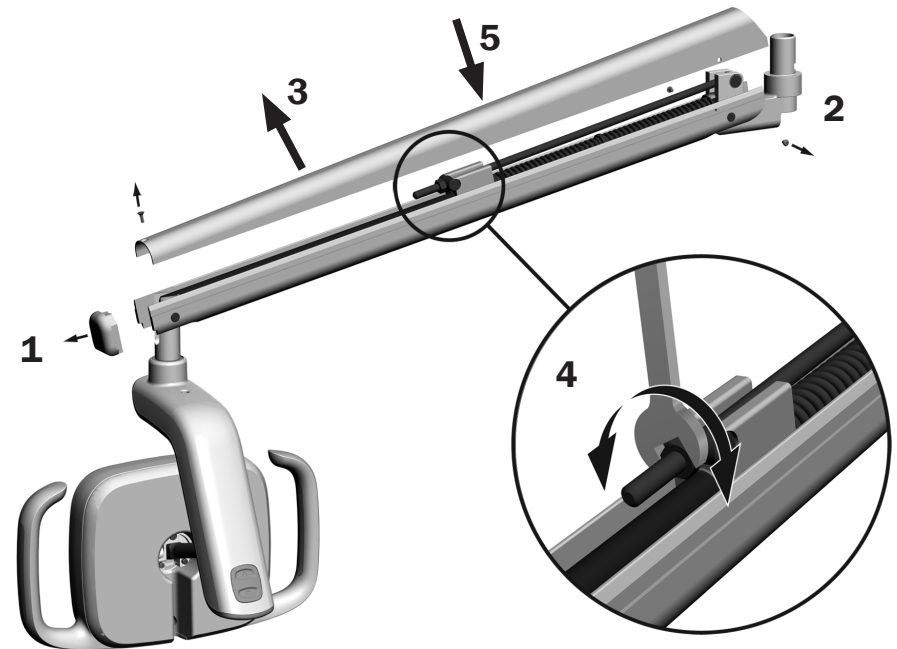
To adjust the vertical rotation, use a 3/16" hex key to tighten or loosen the vertical tension screw.



Dental Light Flexarm Counterbalance Adjustment

To adjust the flexarm counterbalance:

1. Use a Phillips head screwdriver to remove the end cap.
2. Use a 5/64" hex key to remove the two screws that secure the cover.
3. Remove the cover.
4. Use a 1/2" combination wrench to adjust the end of the spring.
 - If the dental light drifts down, turn the nut clockwise.
 - If the dental light drifts up, turn the nut counterclockwise.
5. Set the cover back onto the flexarm (but do not reattach) and check for drift.
6. Repeat steps 4 and 5 until drift is eliminated.
7. Reinstall the screws that secure the cover and reinstall the end cap.



LED Dental Light Circuit Board Components

300 LED Driver Circuit Board Identification (With Touchpad Functionality)

Part Number: 43.0399.00

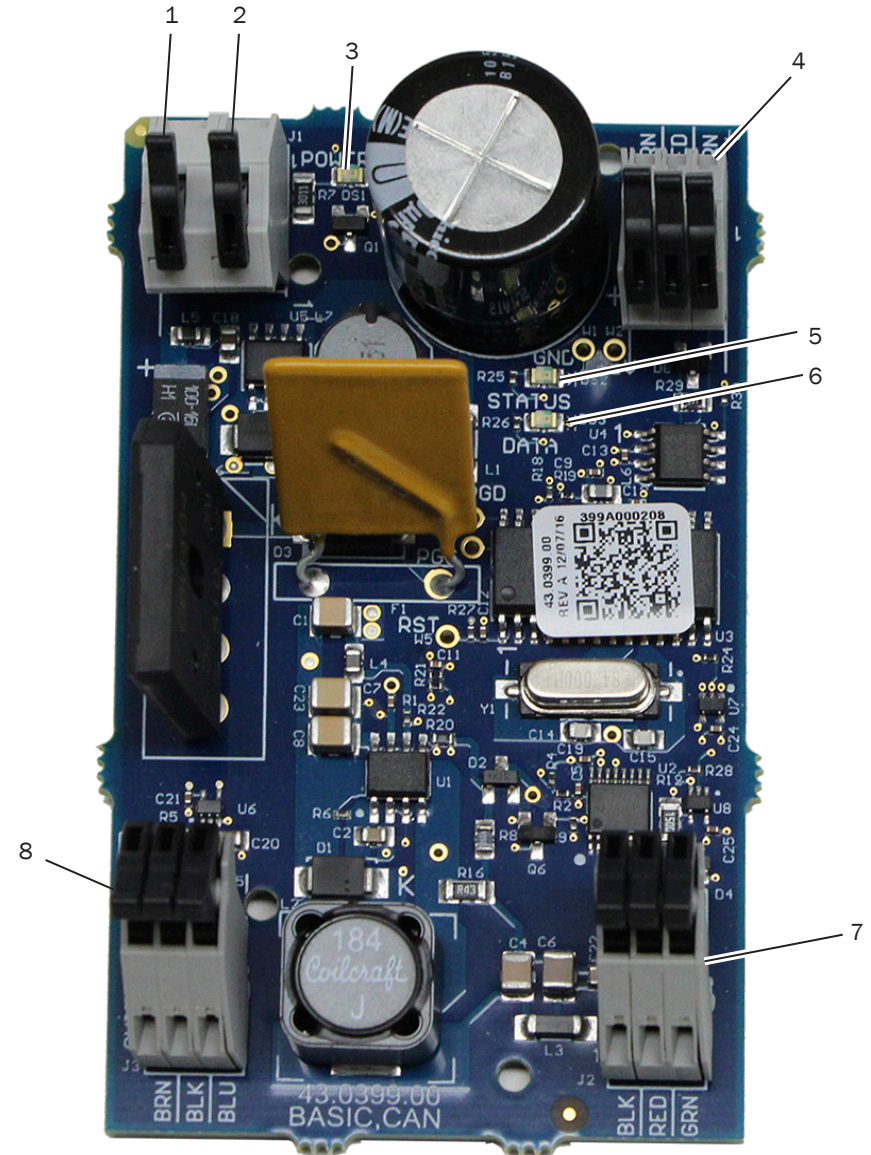
Item	Description
1	J1 - 0 V Terminal strip input
2	J1 - 24 V Terminal strip input
3	DS1 - Power LED
4	J4 - DCS terminal strip
5	DS2 - Status LED
6	DS3 - Data LED
7	J2 - LED source board terminal strip
8	J3 - Switch terminal strip



CAUTION Circuit boards are sensitive to static electricity. Electrostatic Discharge (ESD) precautions are required when touching a circuit board or making connections to or from the circuit board. Circuit boards should be installed only by an electrician or qualified service person.

300 LED Dental Light Circuit Board Indicators

LED	Status	Description
Power LED	Off	No power, tripped circuit breaker, power supply turned off, no line voltage
	On, steady	Power present at J1
Status LED	Off	System is not functioning, board has failed, no power
	On, steady	Normal operation
Data LED	Off	No DCS communication, DCS not connected, DCS has failed
	On, steady	DCS connection detected



300 LED Driver Circuit Board Identification (Without Touchpad Functionality)

Part Number: 43.0400.00

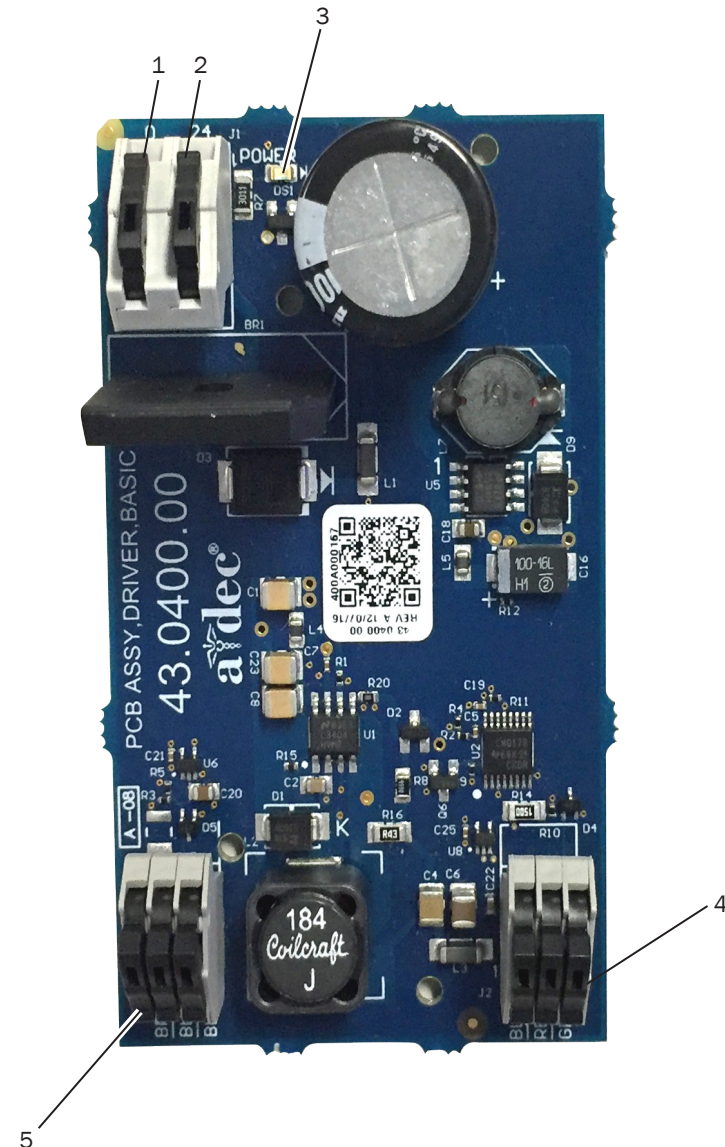
Item	Description
1	J1 - 0 V Terminal strip input
2	J2 - 24 V Terminal strip input
3	DS1 - Power LED
4	J2 - LED source board terminal strip
5	J3 - Switch terminal strip



CAUTION Circuit boards are sensitive to static electricity. Electrostatic Discharge (ESD) precautions are required when touching a circuit board or making connections to or from the circuit board. Circuit boards should be installed only by an electrician or qualified service person.

300 LED Dental Light Circuit Board Indicators

LED	Status	Description
Power LED	Off	No power, tripped circuit breaker, power supply turned off, no line voltage
	On, steady	Power present at J1



500 LED Driver Circuit Board Identification

Part Number: 43.0200.00

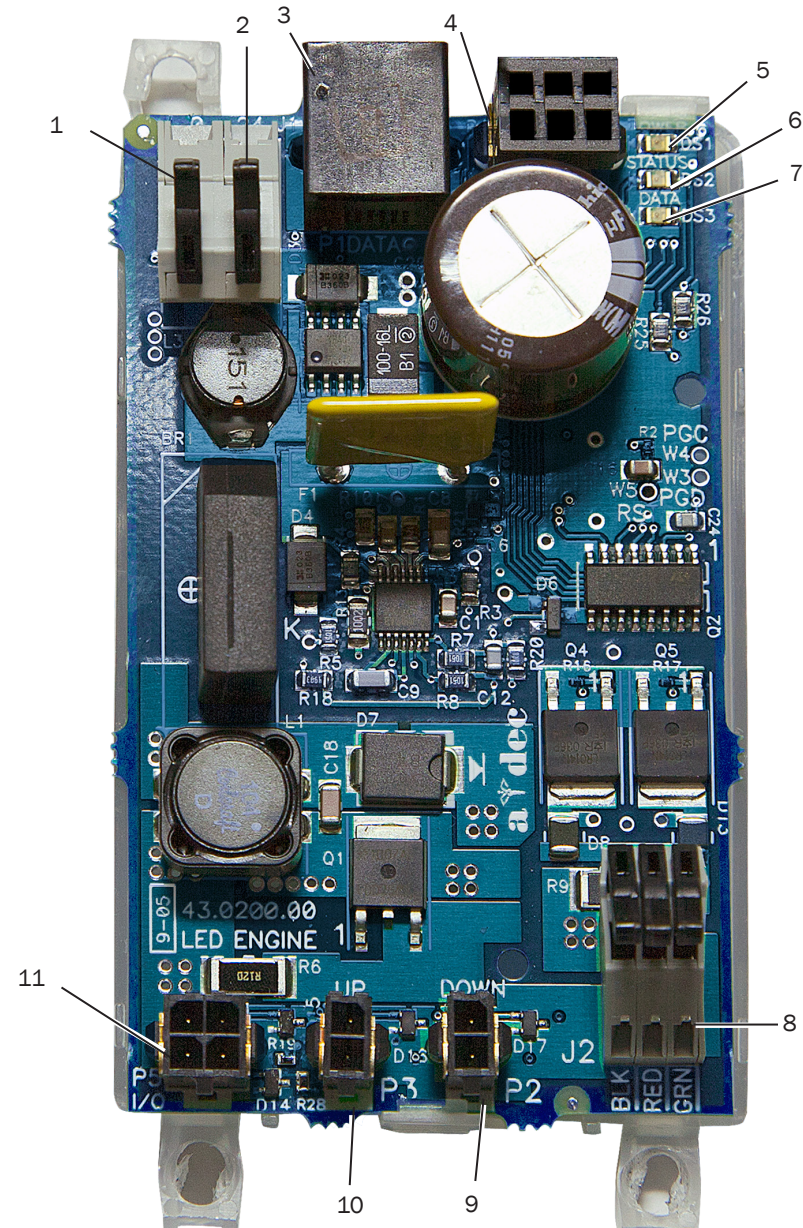
Item	Description
1	J1 - 0~ Terminal strip input
2	J1- 24~ Terminal strip input
3	P1 - Data port
4	P4 - LED indicator board output connector
5	DS1 - Power LED
6	DS2 - Status LED
7	DS3 - Data LED
8	J2 - LED source board terminal strip
9	P2 - Down intensity switch connector
10	P3 - Up intensity switch connector
11	P5 - On/Off switch connector



CAUTION Circuit boards are sensitive to static electricity. Electrostatic Discharge (ESD) precautions are required when touching a circuit board or making connections to or from the circuit board. Circuit boards should be installed only by an electrician or qualified service person.

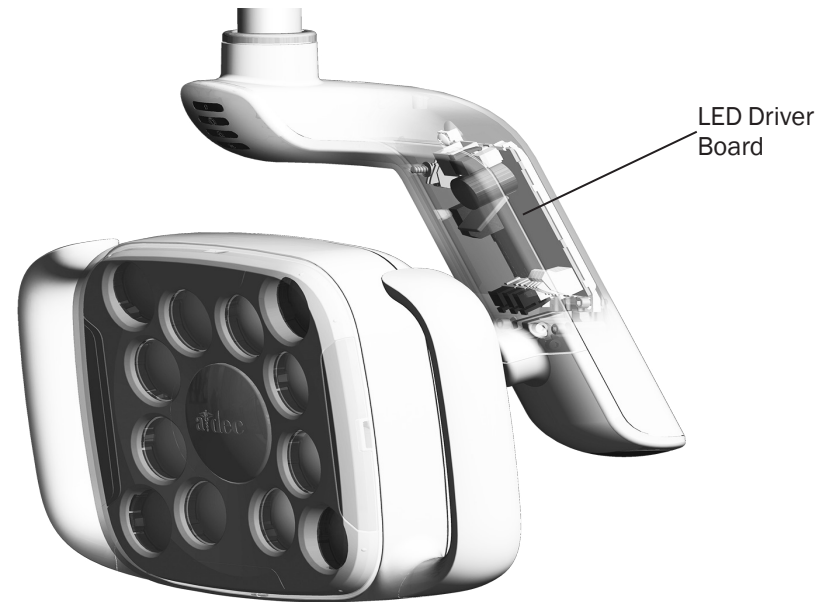
500 LED Dental Light Circuit Board Indicators

LED	Status	Description
Power LED	Off	No power, tripped circuit breaker, power supply turned off, no line voltage
	Green, steady	Power at terminal strip
Status LED	Off	System is not functioning, no power or circuit board has failed
	Green, steady	Normal operation
Data LED	Off	No DCS communication, not connected to the DCS, DCS has failed
	Green, steady	Detects active DCS
	Green, blinking	Valid DCS message



500 LED Driver Board Indicators

Light Mode	LED Source Board Status	Description
Off	Off	All Array board LEDs off: device is disconnected, no power, or circuit board has failed
Cure-safe	Off Yellow steady Location	Cure-safe mode is off Cure-safe mode is on Four outer corners LEDs of array board
High	Off White steady Location	High mode is off High mode is on Eight inner LEDs of array board
Medium	Off White steady Location	Medium mode is off Medium mode is on Eight inner LEDs of array board
Low	Off White steady Location	Low mode is off Low mode is on Eight inner LEDs of array board

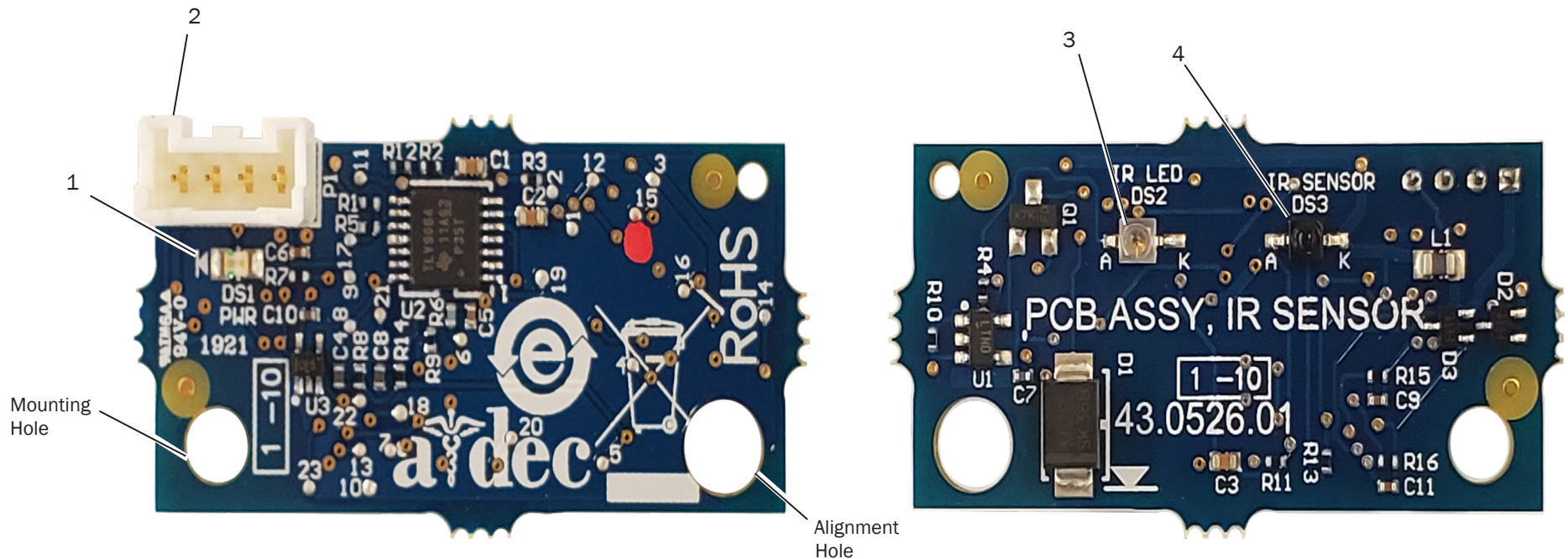


IR Sensor Circuit Board

Item	Description
1	DS1 - Power LED
2	Connector
3	DS2 - IR LED Sensor Transmitter
4	DS3 - IR LED Sensor Retriever



CAUTION Circuit boards are sensitive to static electricity. Electrostatic Discharge (ESD) precautions are required when touching a circuit board or making connections to or from the circuit board. Circuit boards should be installed only by an electrician or qualified service person.



LED Dental Light Indicator Light Circuit Board Identification

Part Number: 43.0217.00

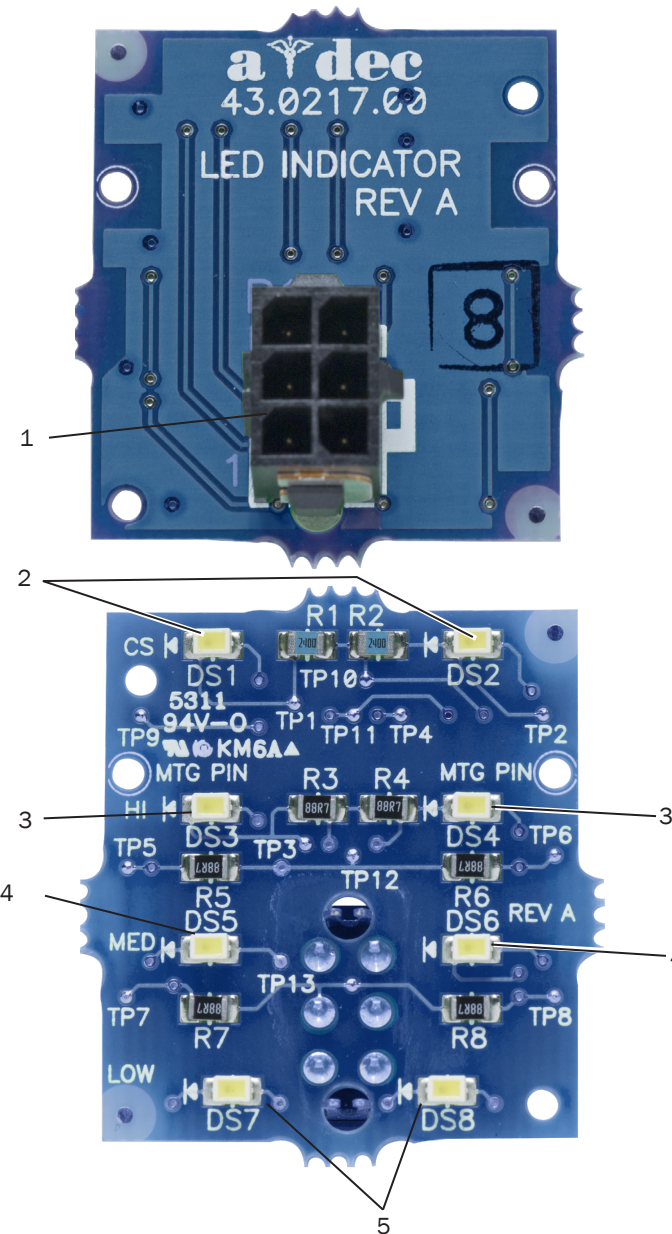
Item	Description
1	P1 - Indicator board input connector
2	DS1 and DS2 - Cure-safe mode
3	DS3 and DS4 - High mode LEDs
4	DS5 and DS6 - Medium mode LEDs
5	DS7 and DS8 - Low mode LEDs



CAUTION Circuit boards are sensitive to static electricity. Electrostatic Discharge (ESD) precautions are required when touching a circuit board or making connections to or from the circuit board. Circuit boards should be installed only by an electrician or qualified service person.

LED Indicator Light Board Indicators

Light Mode	Indicator Board Status	Description
Off	Off	All indicator board LEDs off: device is disconnected, no power, or circuit board has failed
Cure-safe	Off Yellow steady Location	Cure-safe mode is off Cure-safe mode is on Top of indicator board
High	Off Blue steady Location	High mode is off High mode is on Top blue indicator
Medium	Off Blue steady Location	Medium mode is off Medium mode is on Middle blue indicator
Low	Off Blue steady Location	Low mode is off Low mode is on Bottom blue indicator



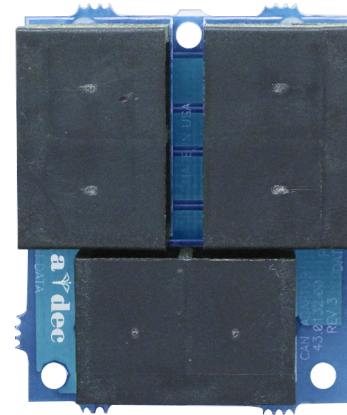
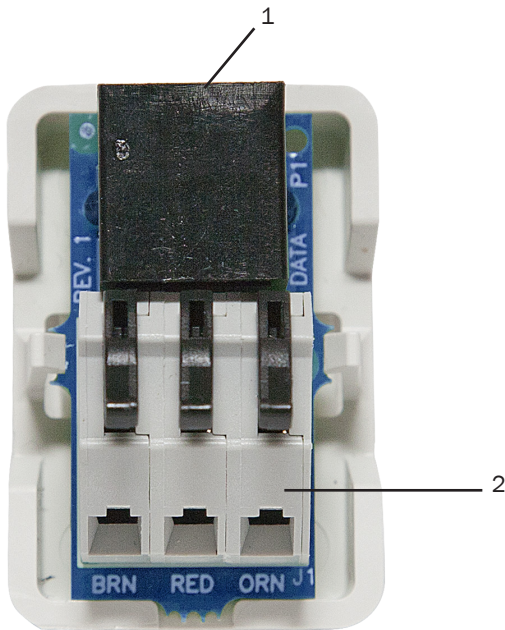
LED Dental Light Terminal to CAN Adaptor Board Identification

Part Number: 90.1230.00

Item	Description
1	P1 - Data port
2	J1 - Data terminal strip

CAN Adaptor Board

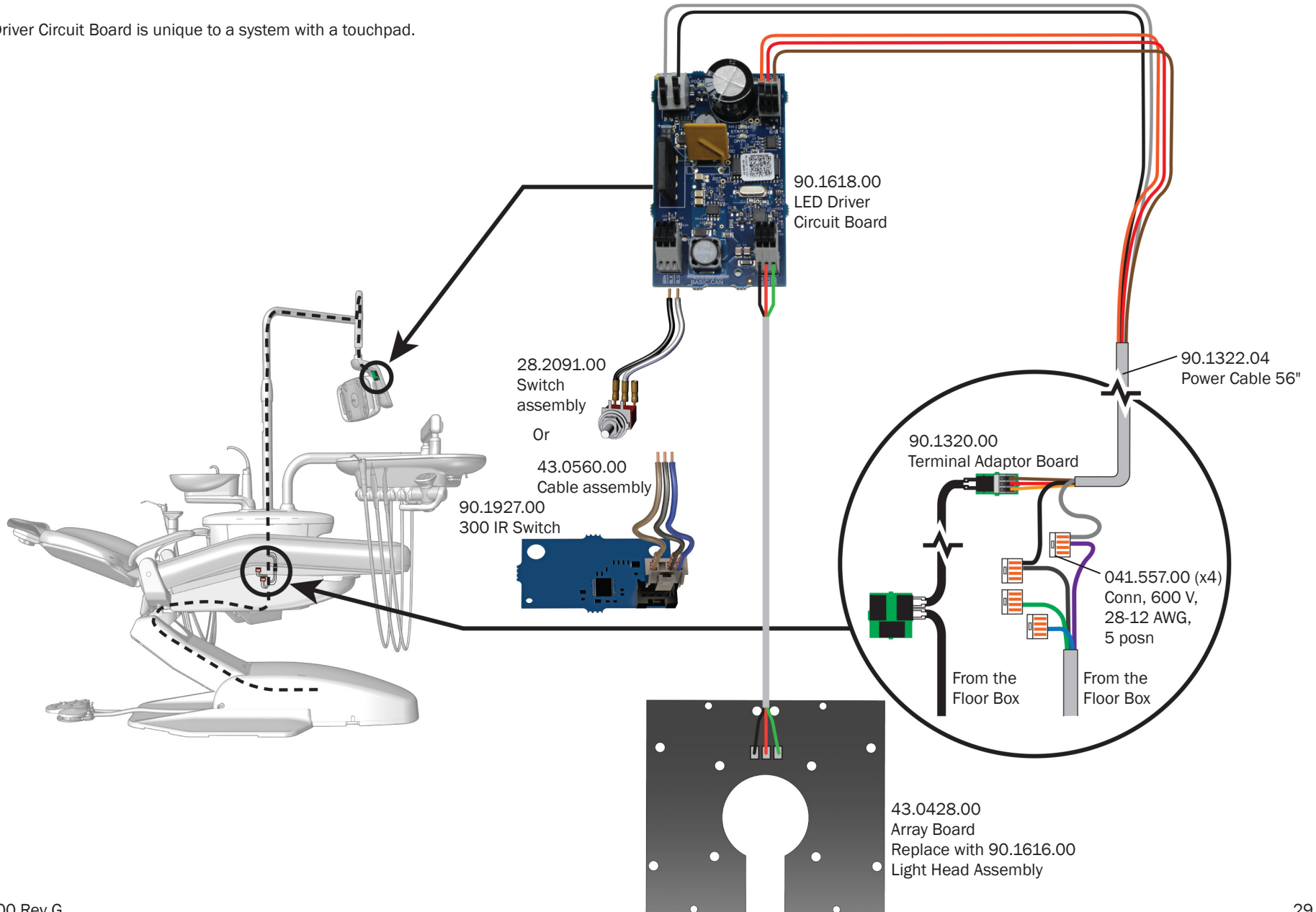
Part Number: 43.1167.00



LED Dental Light Wiring and Power Connections

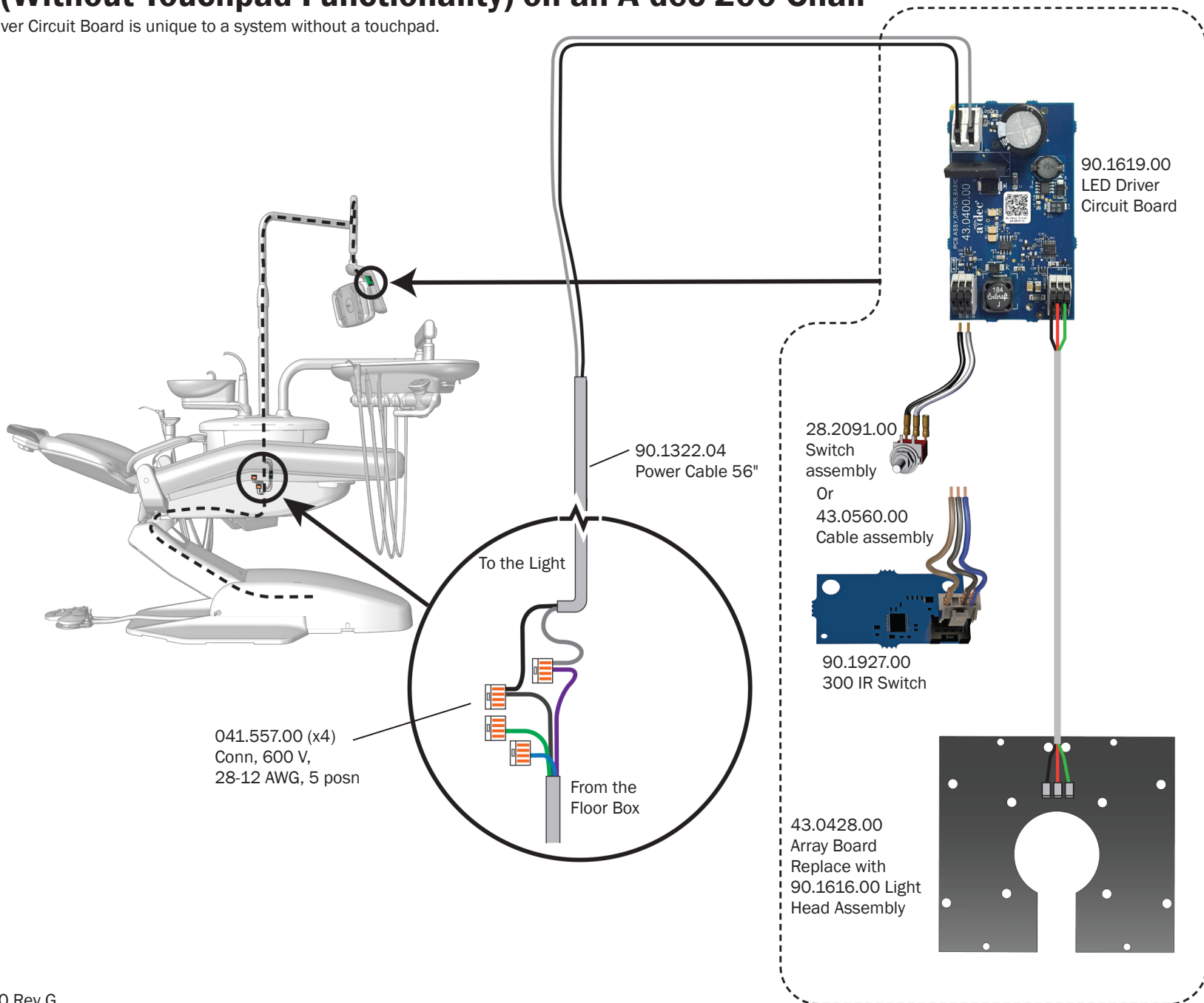
371L (With Touchpad Functionality) on an A-dec 200 Chair

The LED Driver Circuit Board is unique to a system with a touchpad.

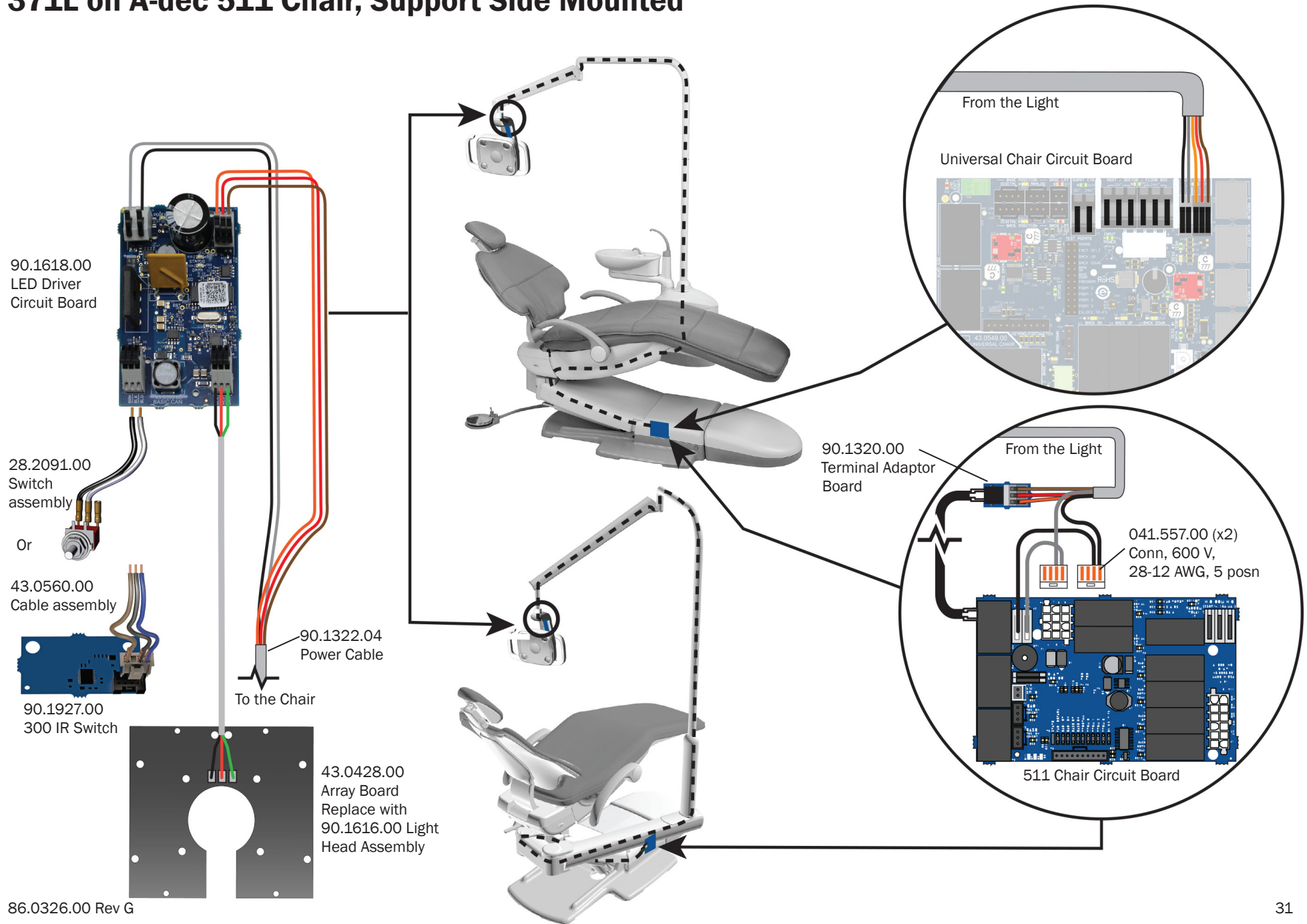


371L (Without Touchpad Functionality) on an A-dec 200 Chair

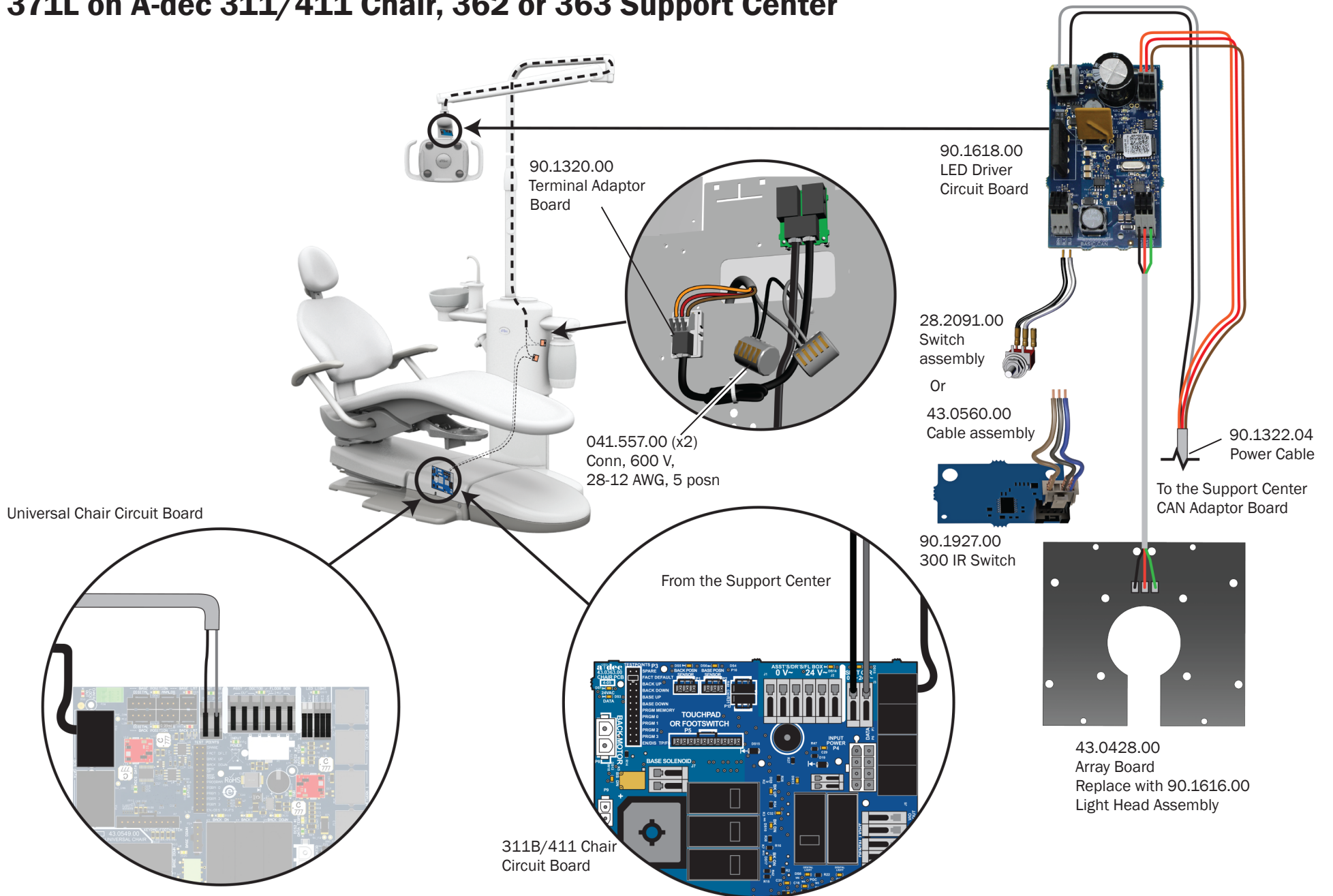
The LED Driver Circuit Board is unique to a system without a touchpad.



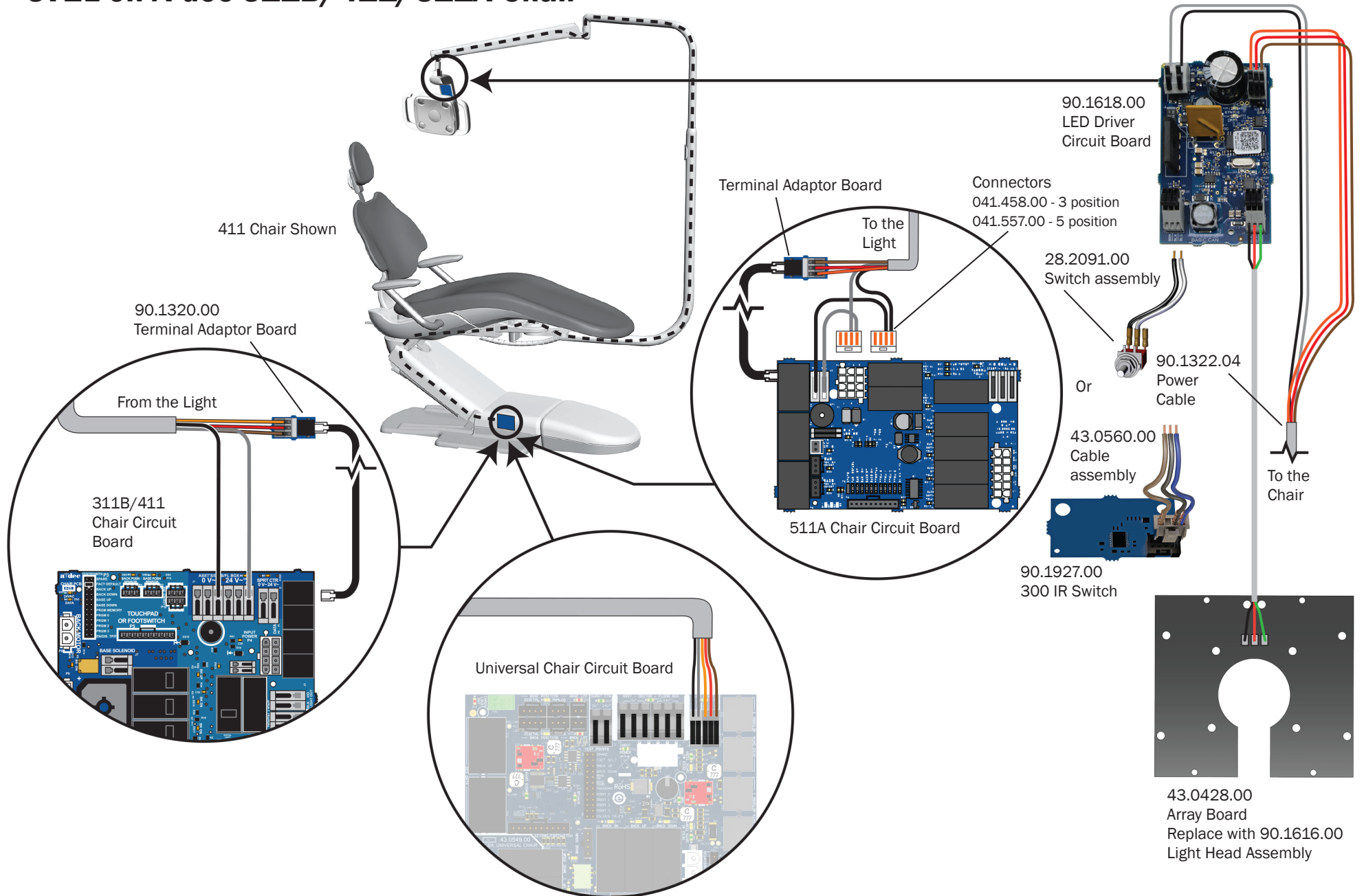
371L on A-dec 511 Chair, Support Side Mounted



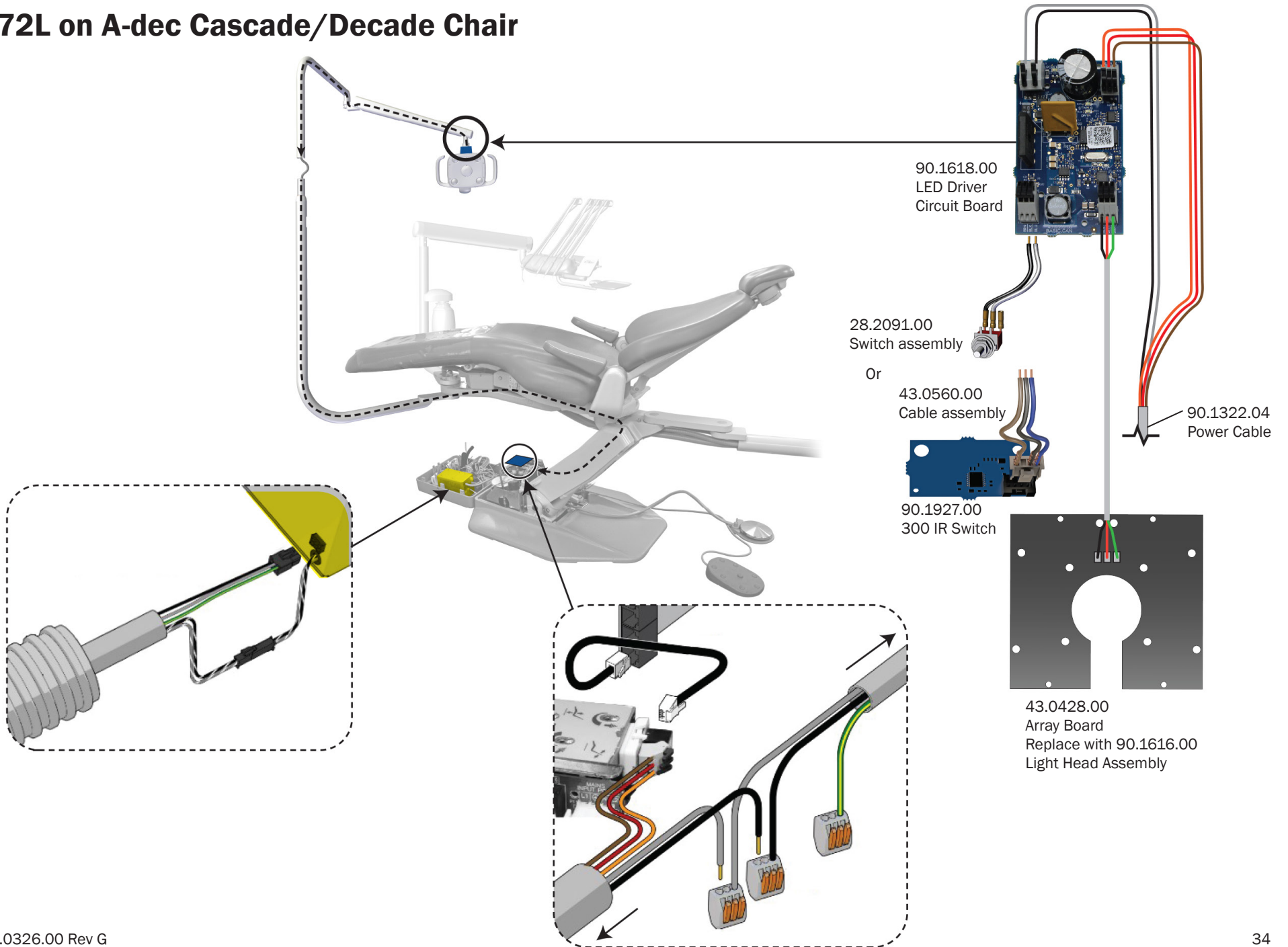
371L on A-dec 311/411 Chair, 362 or 363 Support Center



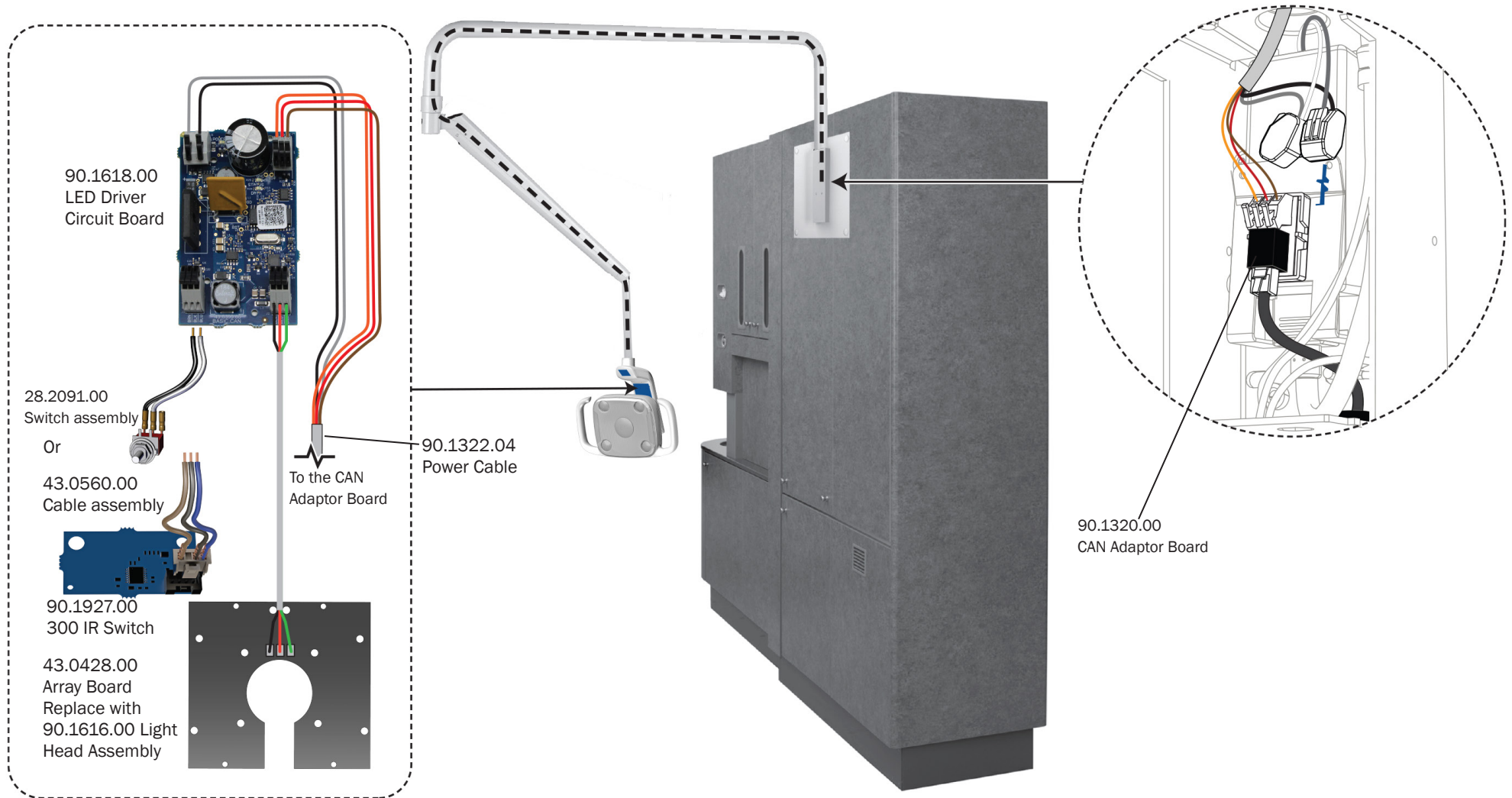
372L on A-dec 311B/411/511A Chair



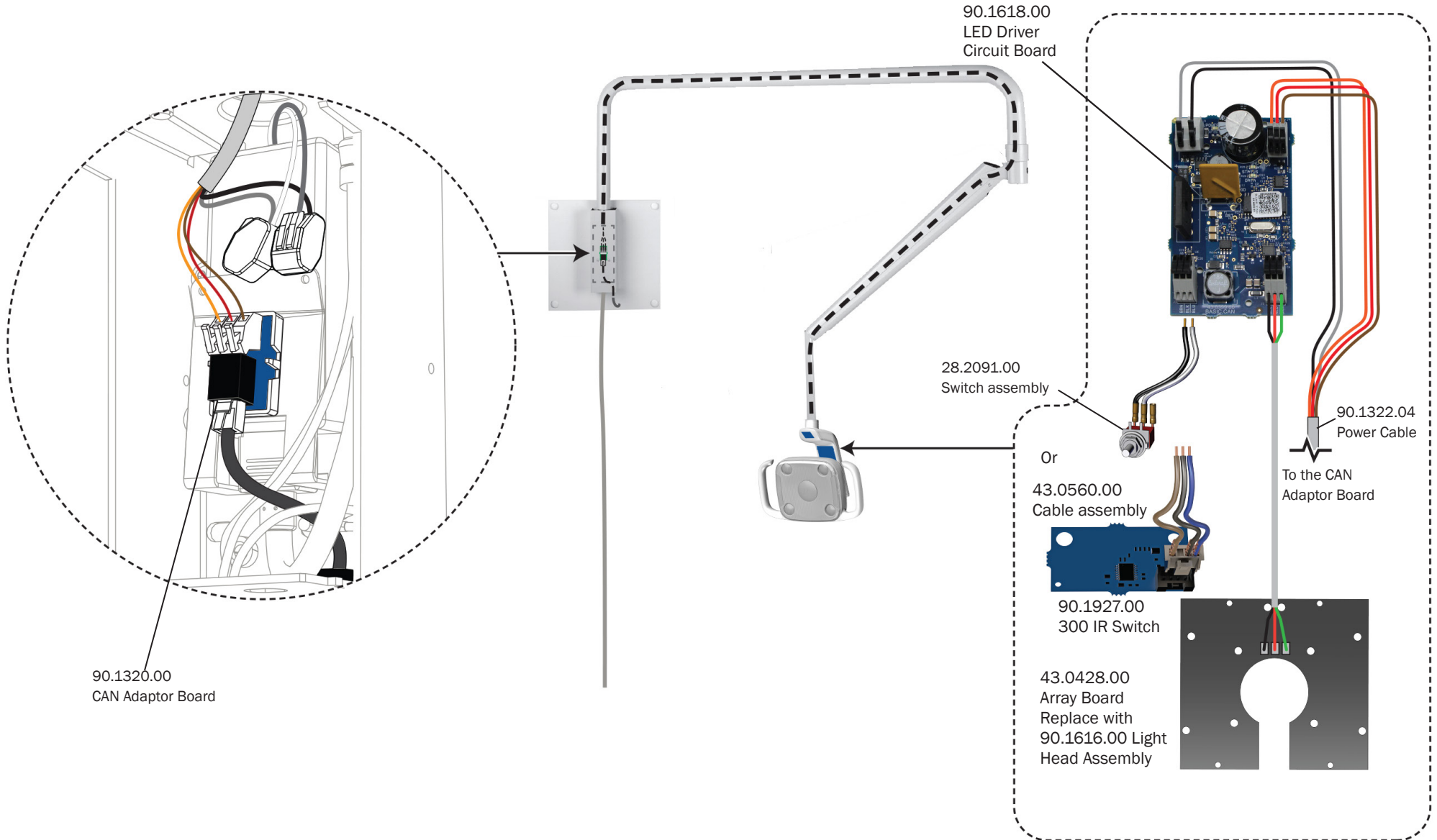
372L on A-dec Cascade/Decade Chair



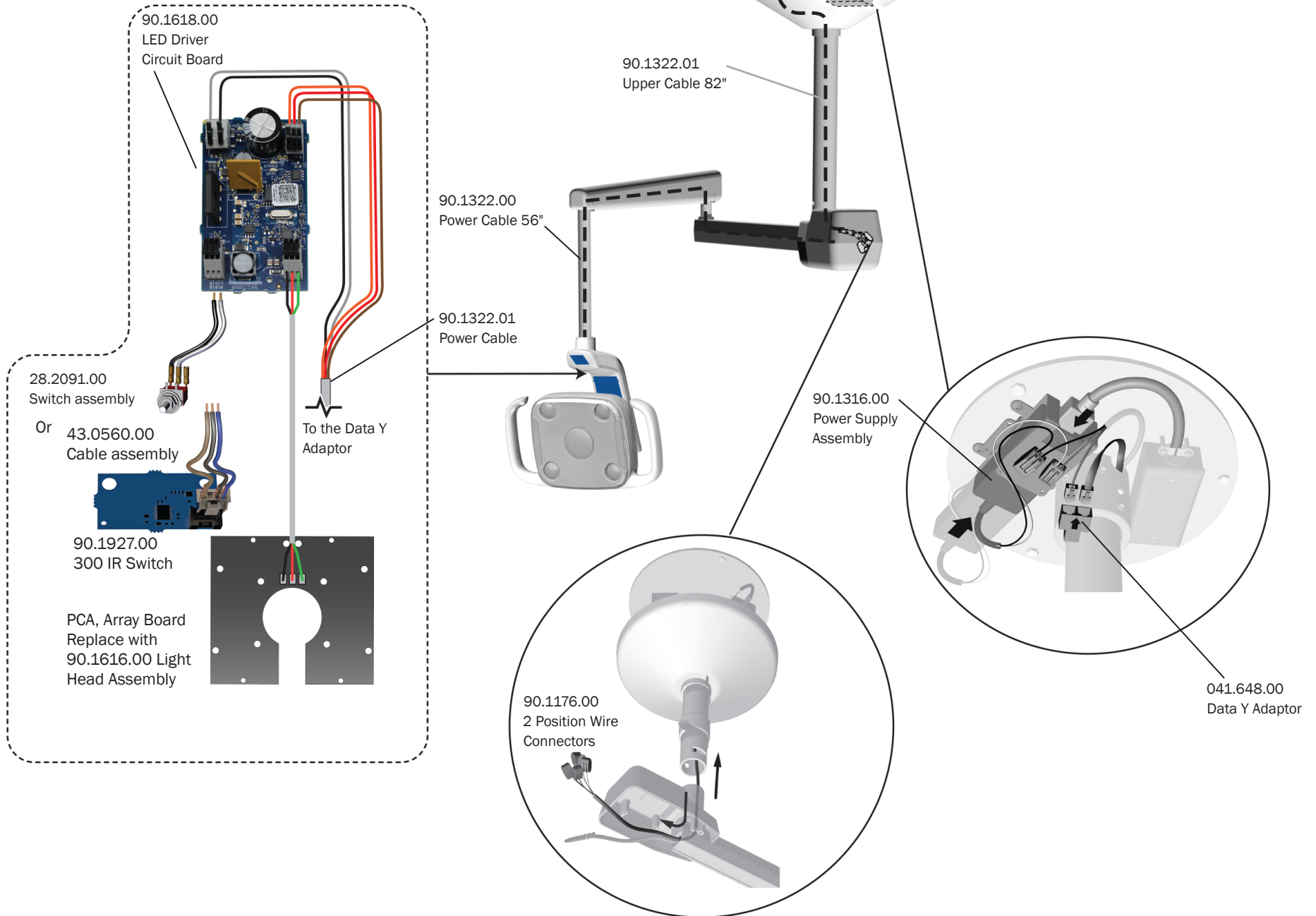
374L Cabinet Mounted



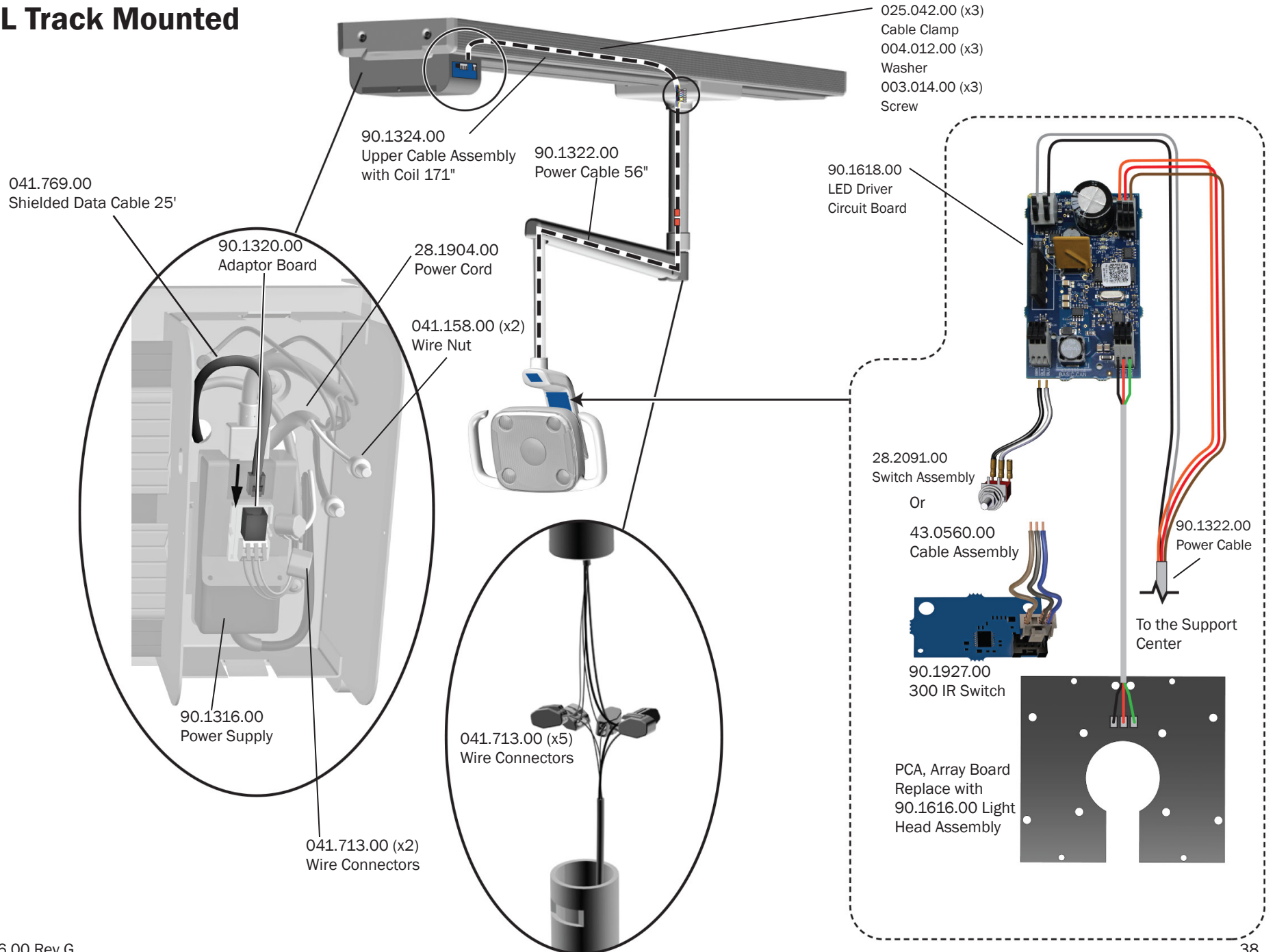
375L Wall/Side Cabinet Mounted



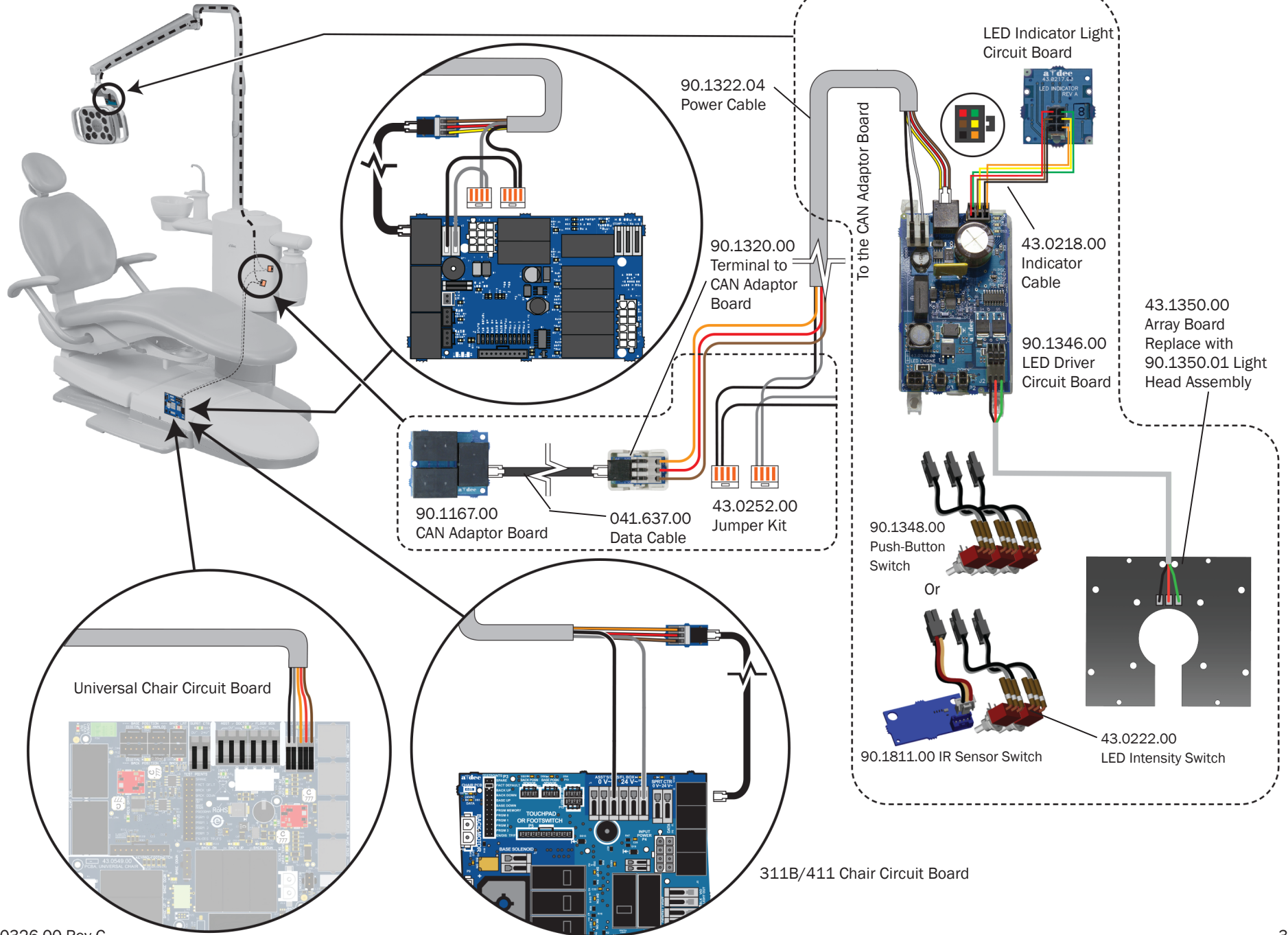
376L Ceiling Mounted



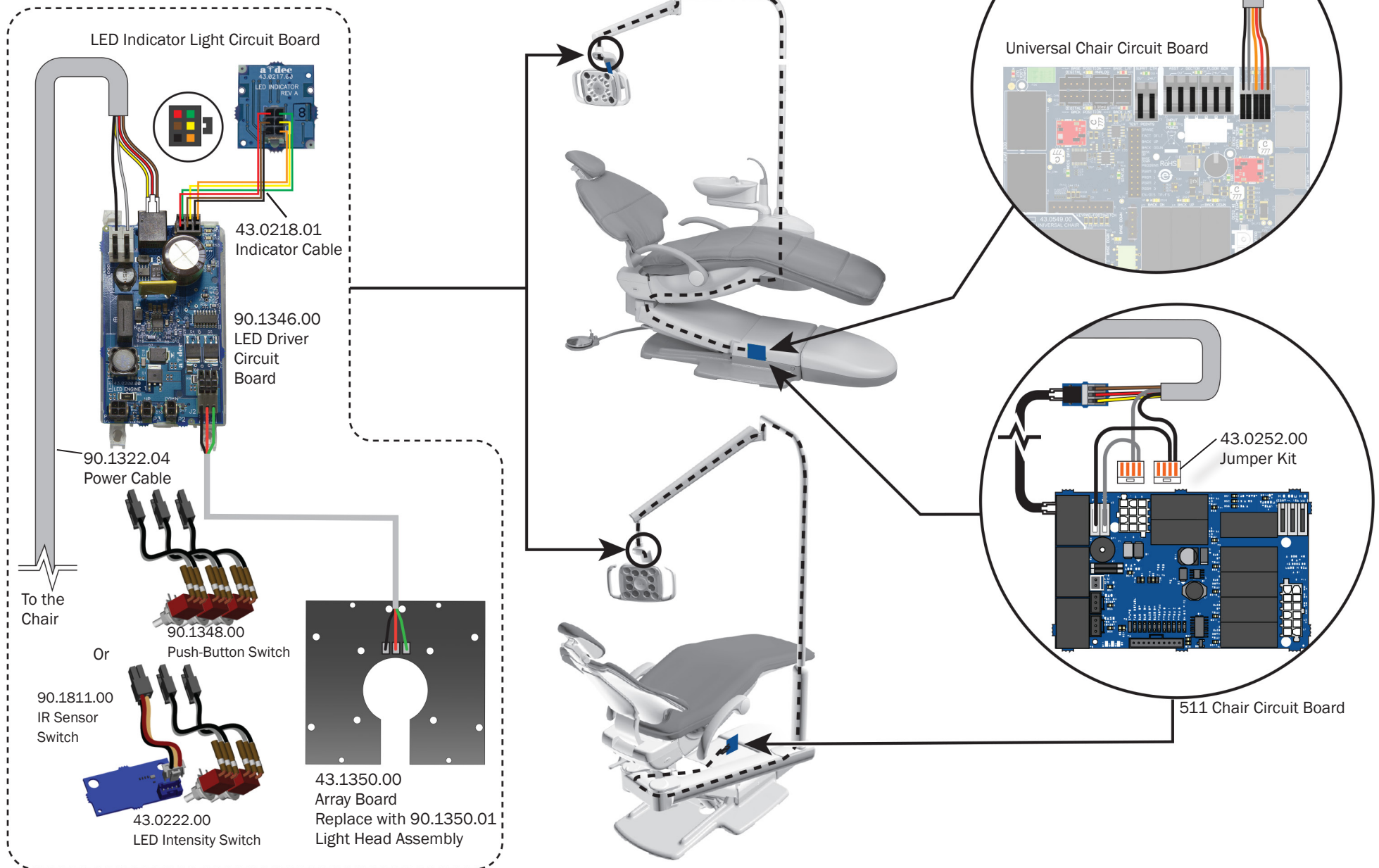
377L Track Mounted



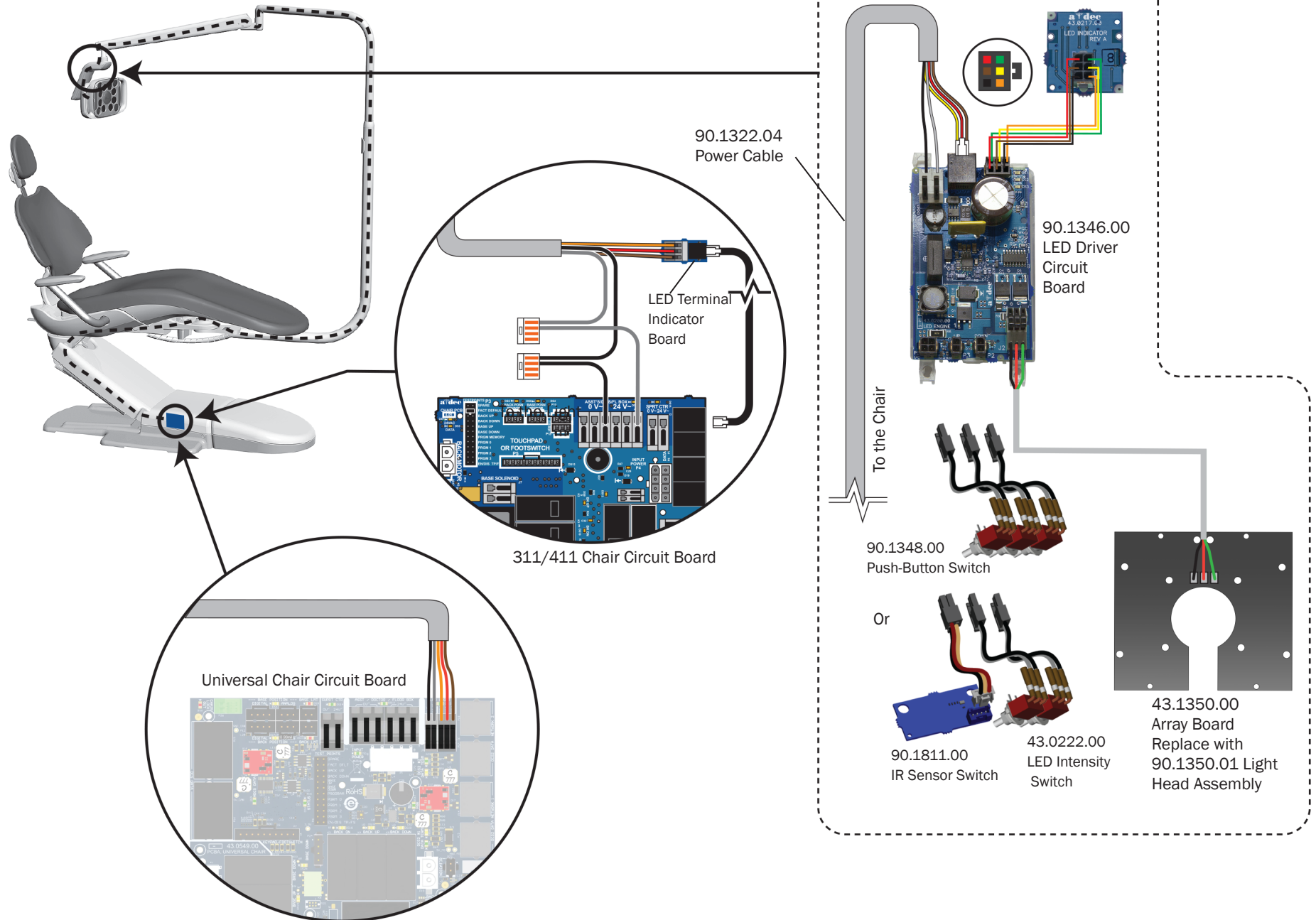
571L on A-dec 311 Chair



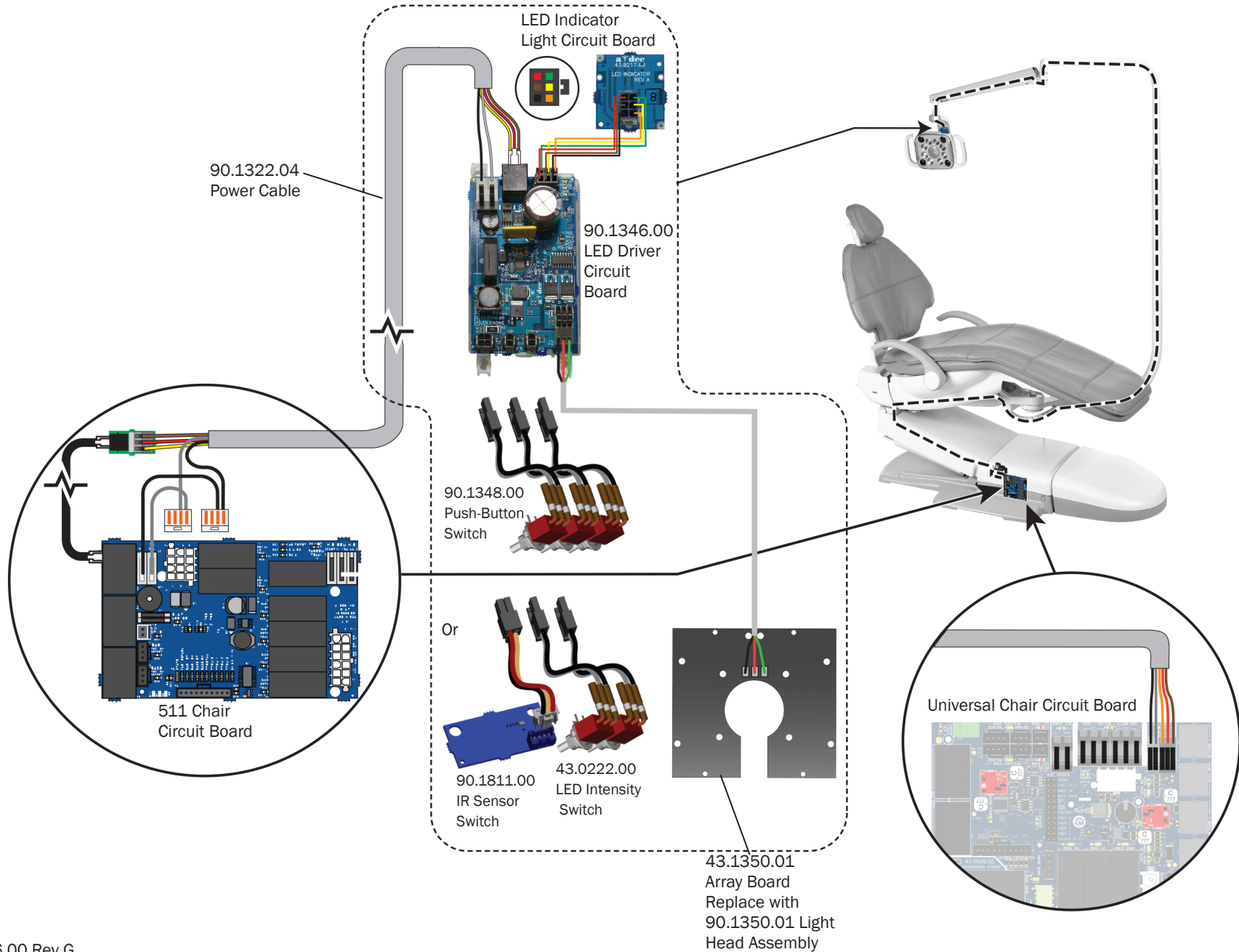
571L on A-dec 511 Chair, Support Side Mounted



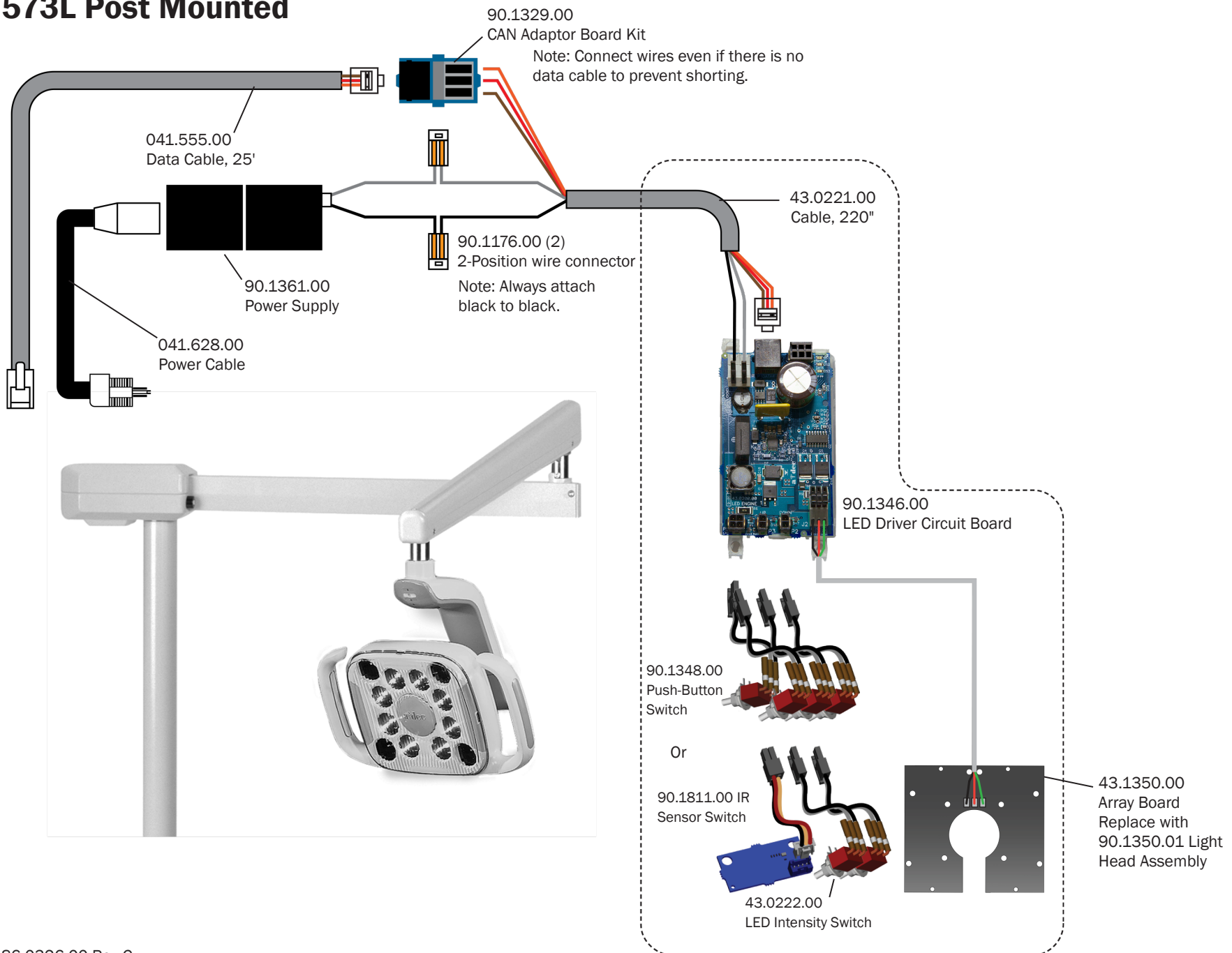
572L on an A-dec 311B/411 Chair



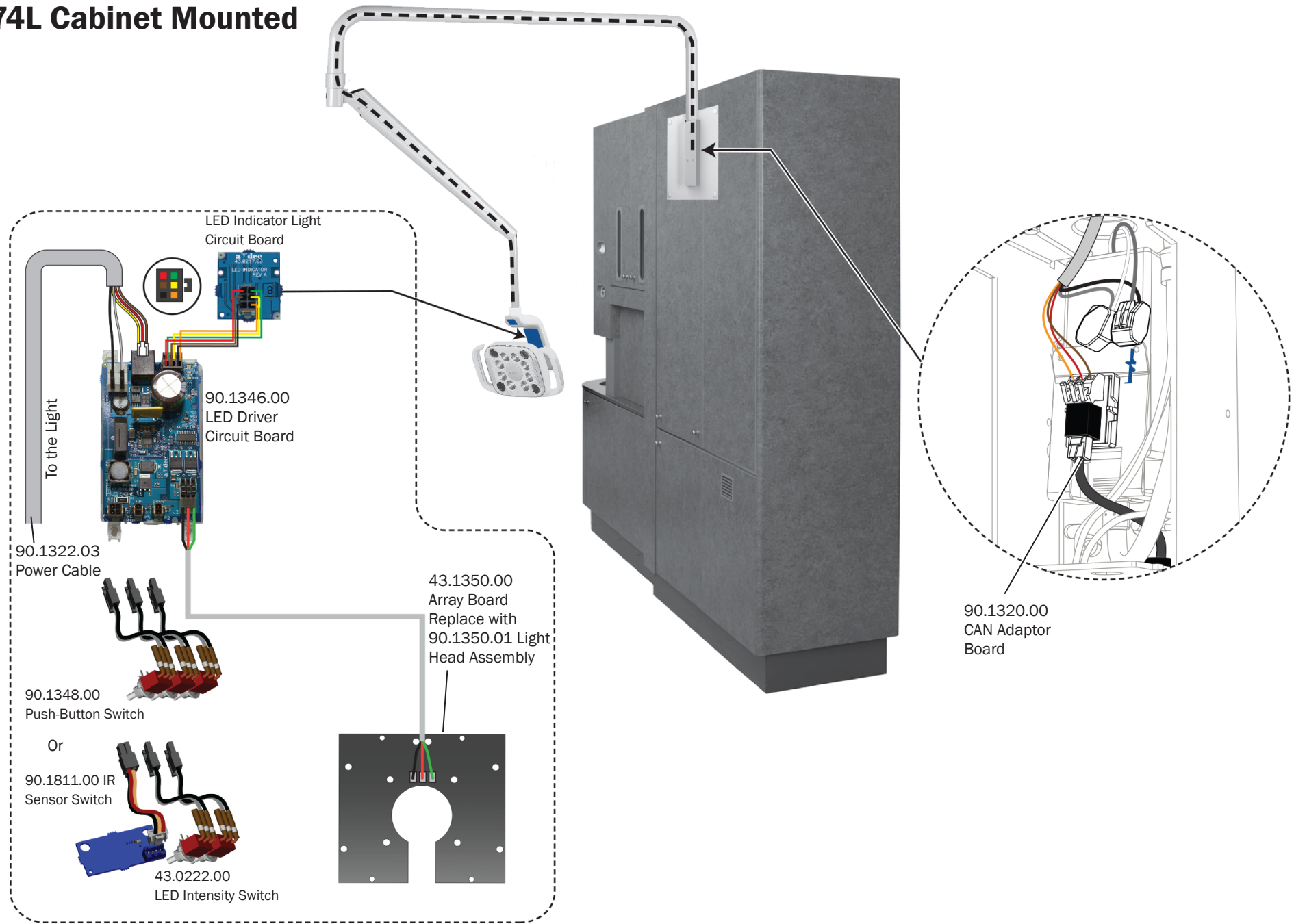
572L on an A-dec 511 Chair, Radius Arm Mounted



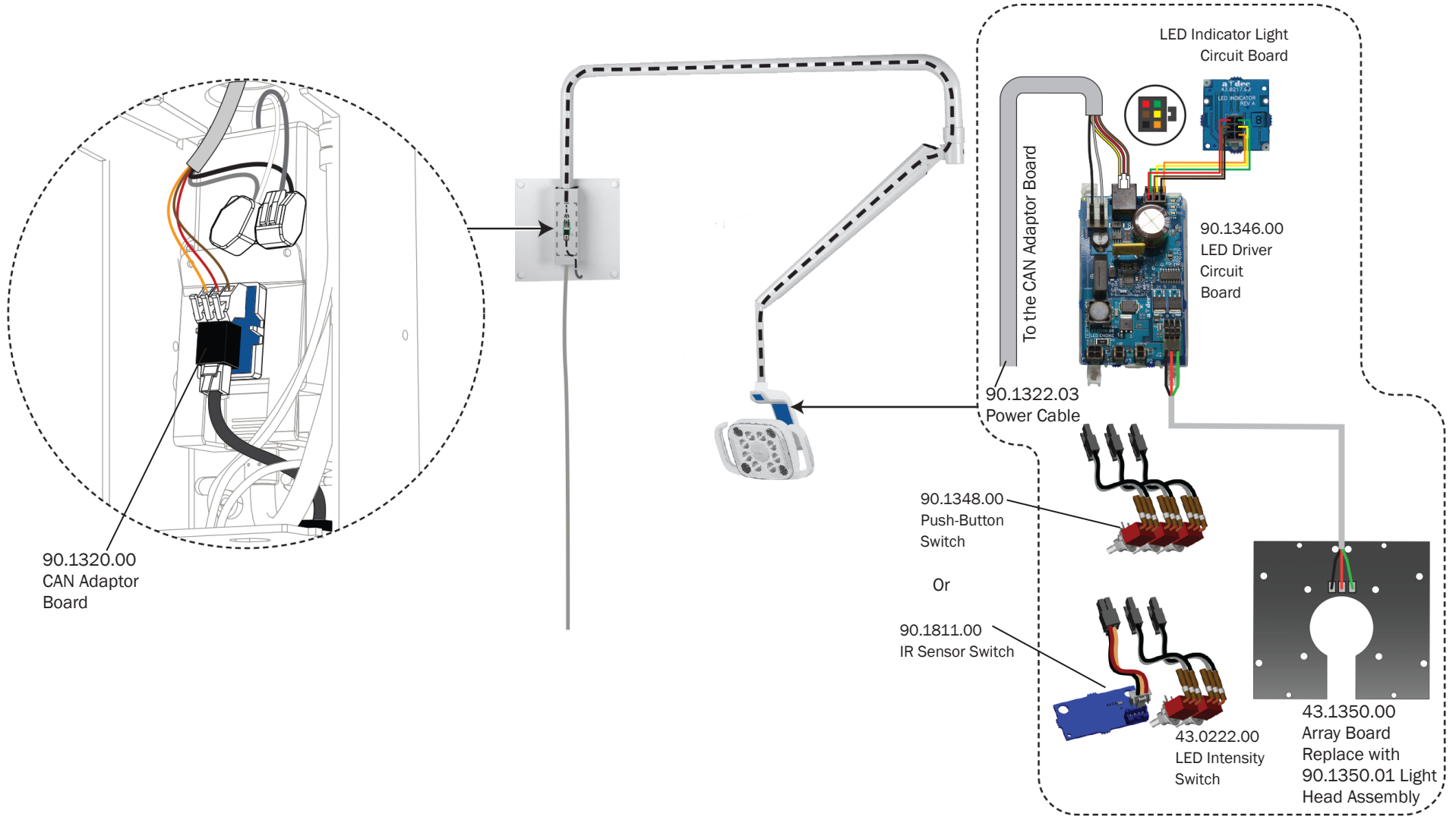
573L Post Mounted



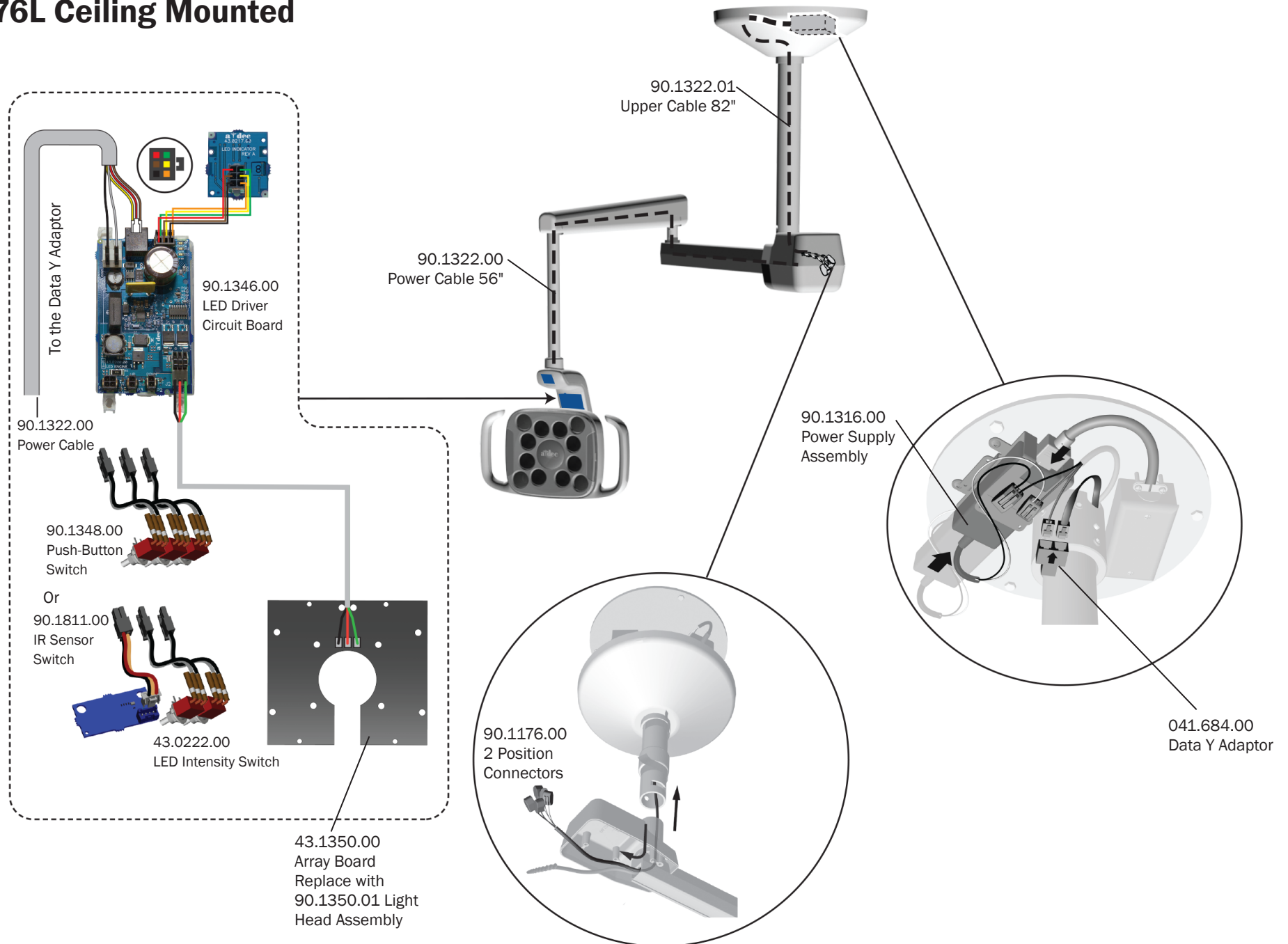
574L Cabinet Mounted



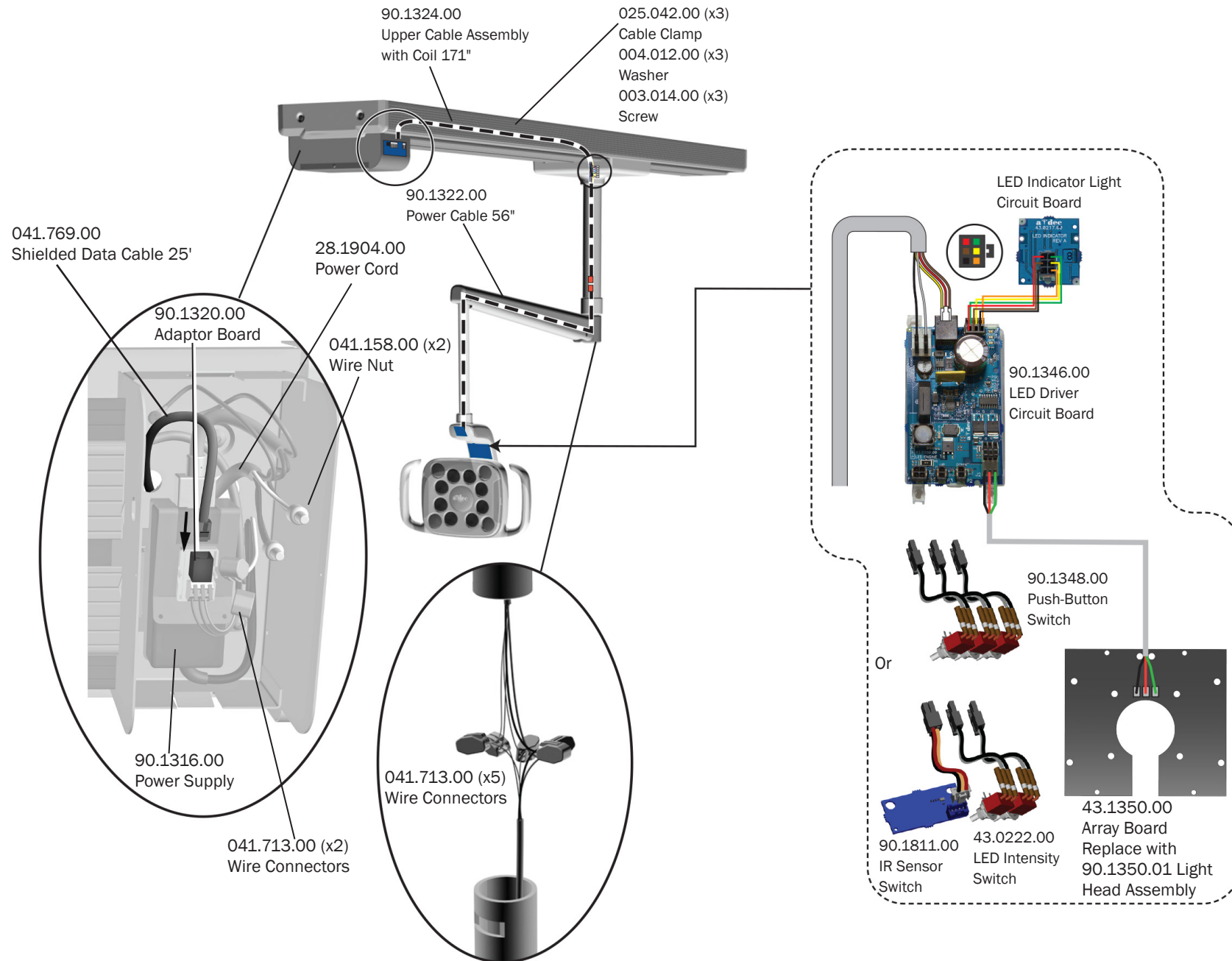
575L Wall/Side Cabinet Mounted



576L Ceiling Mounted

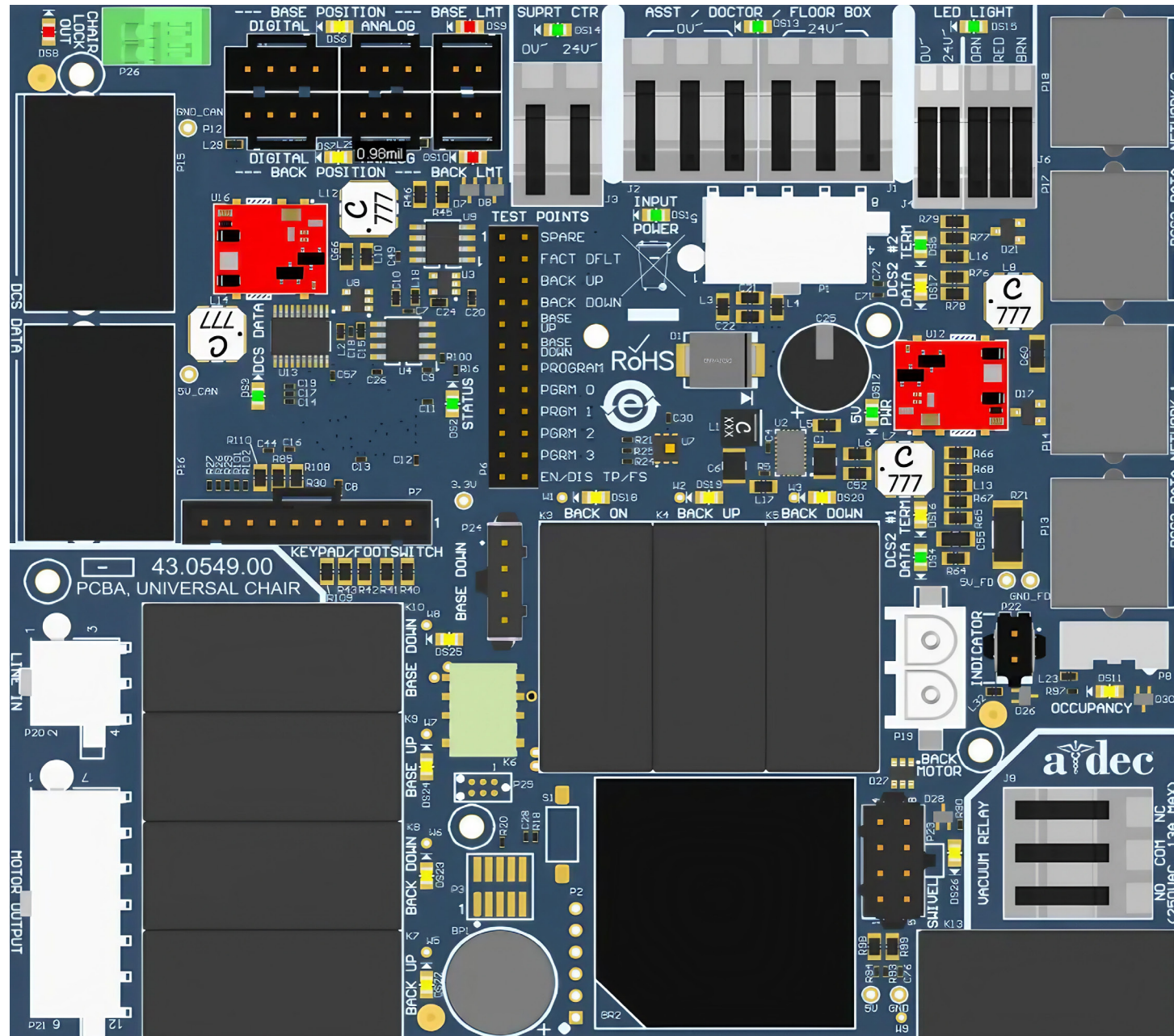


577L Track Mounted



Universal Chair Circuit Board Components

Part Number: 43.0549.00



CAUTION Circuit boards are sensitive to static electricity. Electrostatic Discharge (ESD) precautions are required when touching a circuit board or making connections to or from the circuit board. Circuit boards should be installed only by an electrician or qualified service person.

Universal Chair Circuit Board Indicators

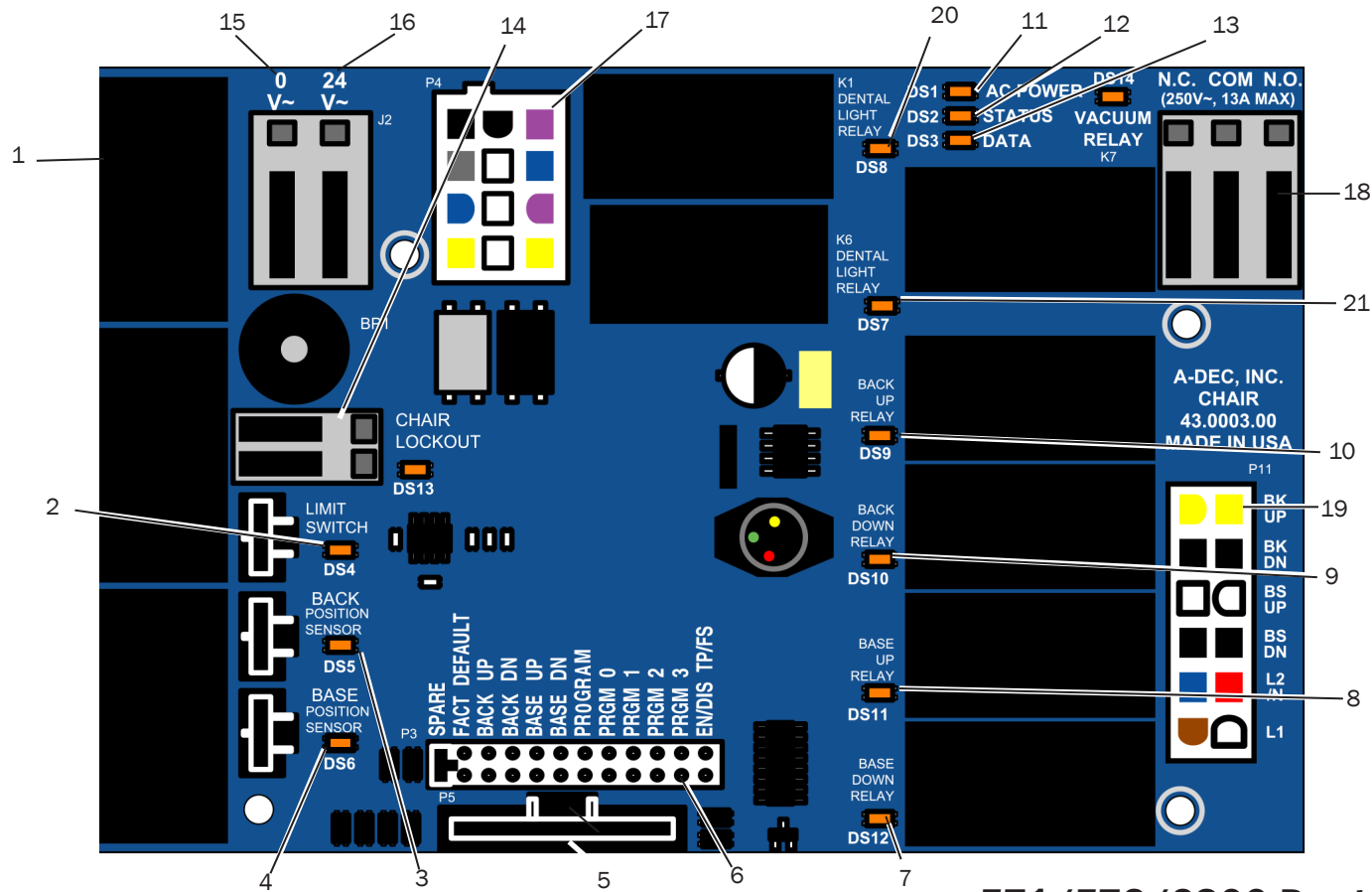
LED	Status	Description
DS1 - AC Power LED	Off	No input AC power (circuit breaker is tripped, or AC power wire is disconnected)
	Green steady	Normal operation
DS2 - Status LED	Off	No power or microcontroller is nonfunctional
	Green steady	Normal operation
DS3 - Data LED	Off	Disconnected from the DCS 1.0 CAN bus or the CAN bus is inoperative
	Green steady	Detects active DCS
	Green blinking	Valid CAN message
DS4 - DCS Network #1 Data LED	Off	Disconnected from the DCS CAN bus or the DCS CAN bus is inoperative
	Green steady	Connected to CAN bus
	Green blinking	Valid CAN message
DS5 DCS Network #2 Data LED	Off	Disconnected from the DCS CAN bus or the DCS CAN bus is inoperative
	Green steady	Connected to active CAN bus
	Green, blinking	Valid CAN message
DS6 Base, DS7- Back Position LED	Off	Position sensor is disconnected or is not functioning normally
	Yellow, steady	Normal operation
	Yellow, fast blink	Position sensor is at upper end of travel limit
	Yellow slow blink	Position sensor is at the lower end of travel limit

LED	Status	Description
DS8 Chair Lockout LED	Off	J5 Terminal strip is open (not activated)
	Red, On	RJ5 Terminal strip is closed (activated)
DS9 Stop Plate, DS10 Back Limit LED	Off	Not activated
	Red steady	Limit switch is activated
DS11 Occupancy Sensor LED	Off	Not functioning normally
	Yellow steady	Normal operation
	Yellow blinking	Chair occupied
DS12 5 V power	Off	Not functioning normally
DS13 AC Power Assistant's/Doctors/Floor Box, DS14 AC Power LED Support Center	Green steady	Normal operation
	DS15 AC Power LED LED Light	
DS16 DCS Port #1, DCS17 DCS Port #2 Termination LED	Off	Terminated
	Yellow steady	Not terminated
DS18 Back On	Off	Relay is Off
DS19 Back Up		
DS20 Back Down		
DS21 Back Up		
DS22 Line AC Back Down,		
DS23 Line AC Back Up		
DS24 Line AC Base Up		
DS25 Line AC Base Down		
DS26 Vacuum Relay	Yellow steady	Relay is On

Halogen 571/572/6300 Dental Light Circuit Board Components

A-dec 511 Chair Circuit Board

Part Number: 90.1072.00



571/572/6300 Dental Light Output Functions

Function	K1 (DS8)	K6 (DS7)	Output
Off	Off	Off	0 VAC
High intensity	On	Off	17 VAC
Composite intensity	Off	On	12 VAC
Medium Intensity	On	On	16 VAC

511 Chair Circuit Board Indicators

LED	Status	Description
DS1 - AC power LED	Off	No 24 VAC power, tripped circuit breaker, power supply turned off, no line voltage
	Green, steady	24 VAC at the terminal strip
DS2 - Status LED	Off	System is not functioning, no power or circuit board has failed
	Green, steady	Normal operation
DS3 - Data LED	Off	No DCS communication, not connected to the DCS, or DCS has failed
	Green, steady	Detects active DCS
	Green, blinking	Valid DCS message
DS4 - Chair limit switch	Off	Closed, (normal)
	Red	Open, (activated)
DS13 - Chair lockout	Off	Open, (normal)
	Red	Closed, (activated)
DS5 + DS6 - Chair potentiometers	Off	Potentiometer: Not connected or bad connection; moving in wrong direction; limited range of motion; or cable is not on wheel.
	Yellow, steady	Normal operation
	Yellow, fast blink	Upper end of travel
DS9, DS10, DS11, DS12 - Chair relay LEDs	Off	Relay is off
	On	Relay is on
DS7, DS8 - Dental light relay LEDs	Off	Relay is off
	On	Relay is on
DS14 - Vacuum relay LED	Off	Relay is off
	On	Relay is on

511 Chair Circuit Board Identification

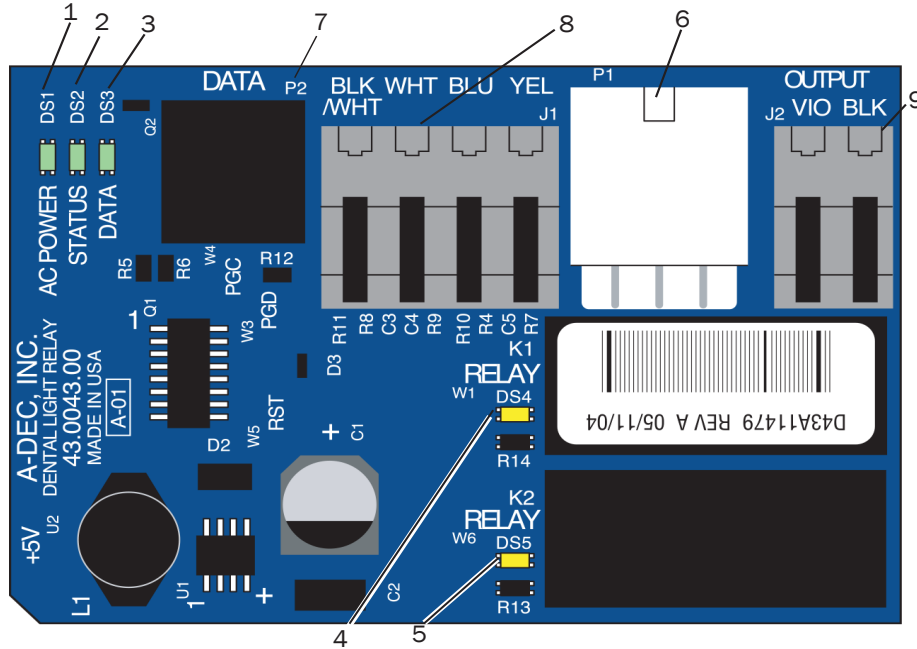
Item	Description
1	P7, P8, P9 - Data line ports
2	DS4 - Stop switch LED (limit switch) and P10 connector
3	DS5 - Back potentiometer LED and P1 connector
4	DS6 - Base potentiometer LED and P2 connector
5	P5 - Footswitch connector
6	P3 - Test points
7	DS12 - Base down LED and relay K5
8	DS11 - Base up LED and relay K4
9	DS10 - Back down LED and relay K3
10	DS9 - Back up LED and relay K2
11	DS1 - AC power LED
12	DS2 - Status LED
13	DS3 - Data LED
14	DS13 - Chair lockout LED and terminal strip J1
15	J2 - 0 VAC terminal strip (output)
16	J2 - 24 VAC terminal strip (output)
17	P4 - Input power and dental light connector
18	J3 - Vacuum relay K7 output terminal strip
19	P11 - Pump motor and solenoid connector
20	DS8 - Dental light LED relay and K1
21	DS7 - Dental light LED relay and K6



CAUTION Circuit boards are sensitive to static electricity. Electrostatic Discharge (ESD) precautions are required when touching a circuit board or making connections to or from the circuit board. Circuit boards should be installed only by an electrician or qualified service person.

A-dec 6300 Dental Light Relay Circuit Board

Part Number: 28.1577.00



6300 Dental Light Output Functions

Function	K1 (DS4)	K2 (DS5)	Output
Off	Off	Off	0 VAC
High intensity	On	Off	17 VAC
Composite intensity	Off	On	12 VAC
Medium Intensity	On	On	16 VAC



CAUTION Circuit boards are sensitive to static electricity. Electrostatic Discharge (ESD) precautions are required when touching a circuit board or making connections to or from the circuit board. Circuit boards should be installed only by an electrician or qualified service person.

6300 Dental Light Relay Circuit Board LED Indicators

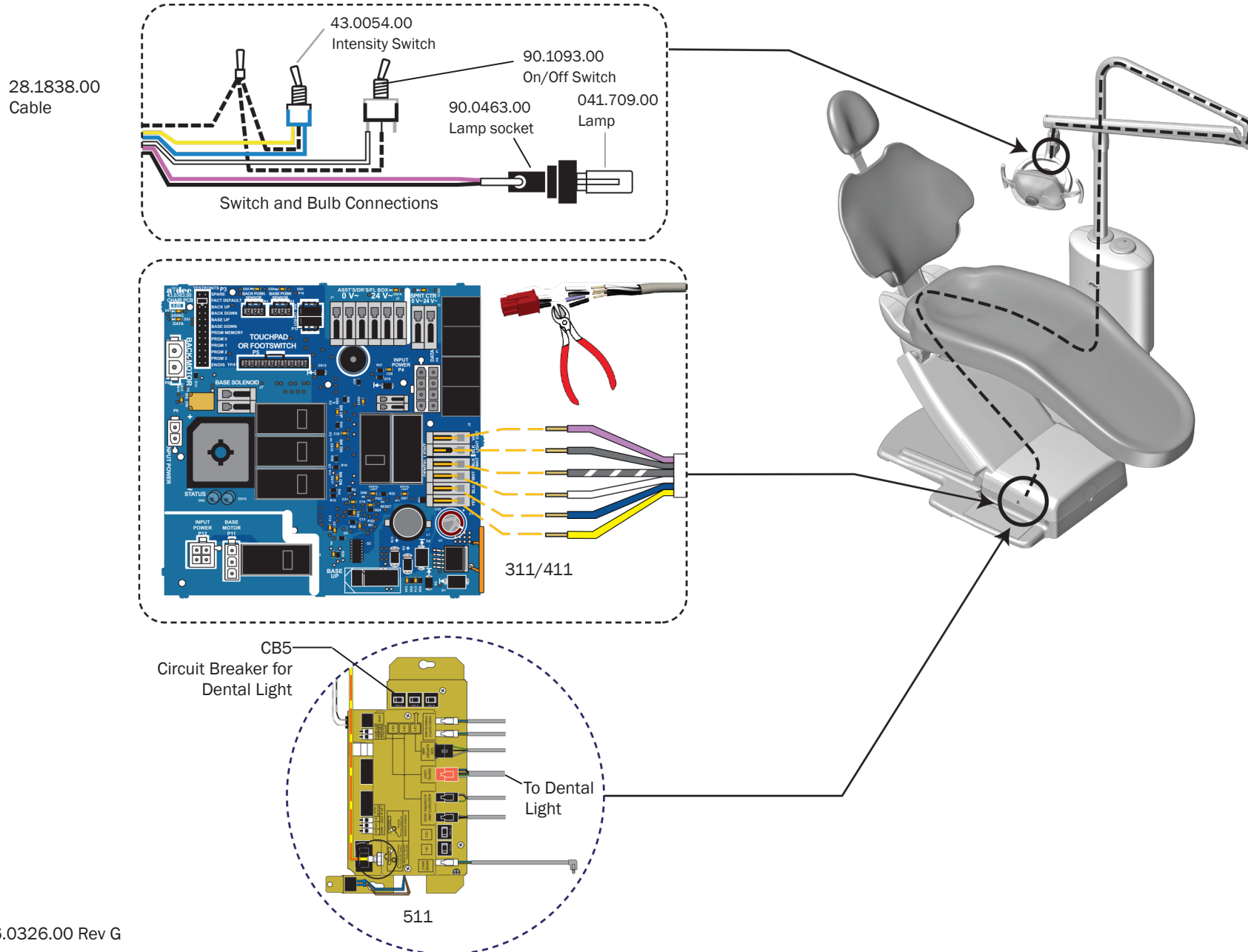
LED	Status	Description
DS1 - AC power LED	Off	No 24 VAC power, tripped circuit breaker, power supply turned off, no line voltage
	Green, steady	24 VAC at P1 input power connector
DS2 - Status LED	Off	System is not functioning, no power or circuit board has failed
	Green, steady	Normal operation
DS3 - Data LED	Off	No DCS communication, not connected to the DCS, or DCS has failed
	Green, steady	Detects active DCS
	Green, blinking	Valid DCS message
DS4, DS5 - Dental light relay LEDs	DS4, DS5	
	Off, Off	Dental light off
	On, Off	High intensity
	Off, On	Composite intensity
	On, On	Medium intensity

6300 Dental Light Relay Circuit Board Identification

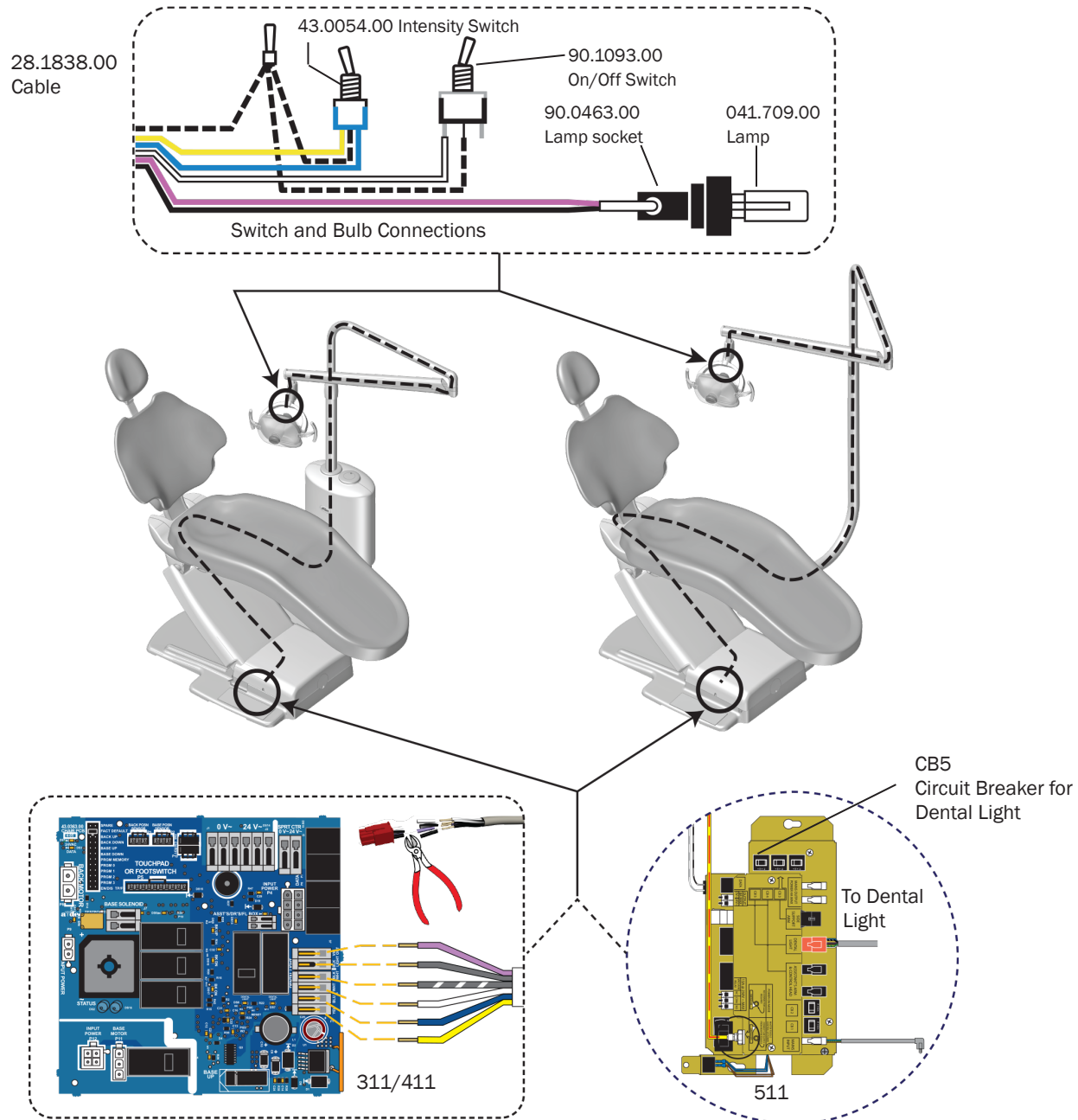
Item	Description
1	DS1 - AC power LED
2	DS2 - Status LED
3	DS3 - Data LED
4	DS4 - Dental light relay
5	DS5 - Dental light relay
6	P1 - Input power
7	P2 - Data line port
8	J1 - Toggle switch inputs
9	J2 - Dental light output power

Halogen 571/572/6300 Light Wiring and Power Connections

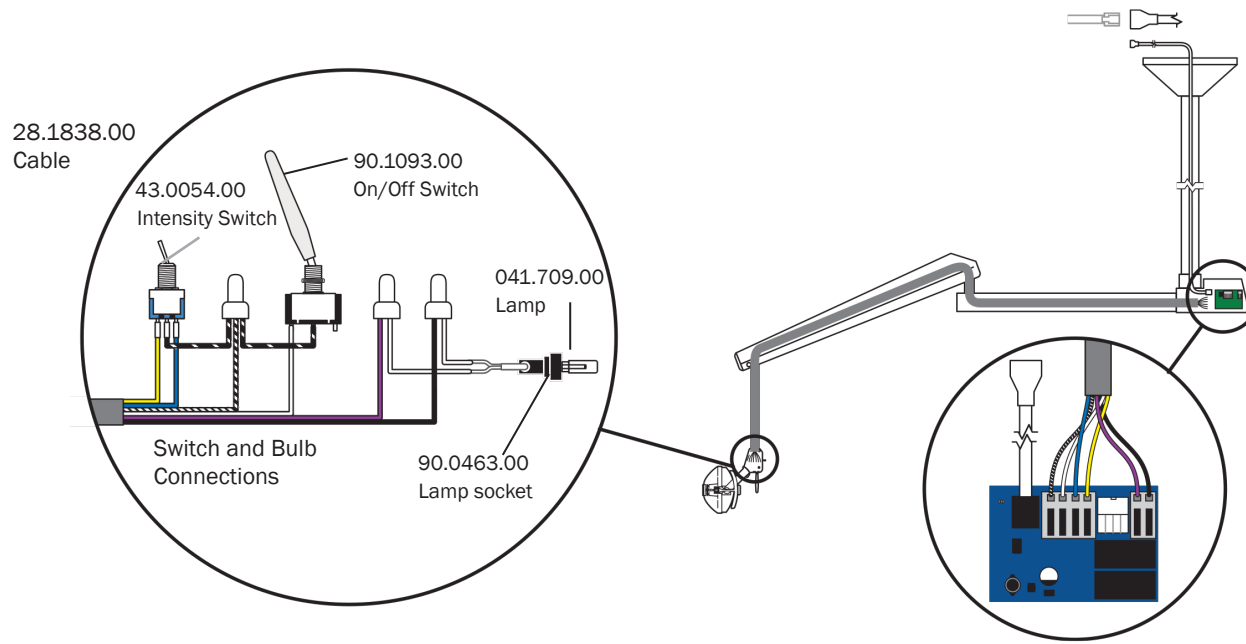
571 on A-dec 311/411/511 Chair, Radius Arm Mounted



572 on an A-dec Support Center or Support Arm

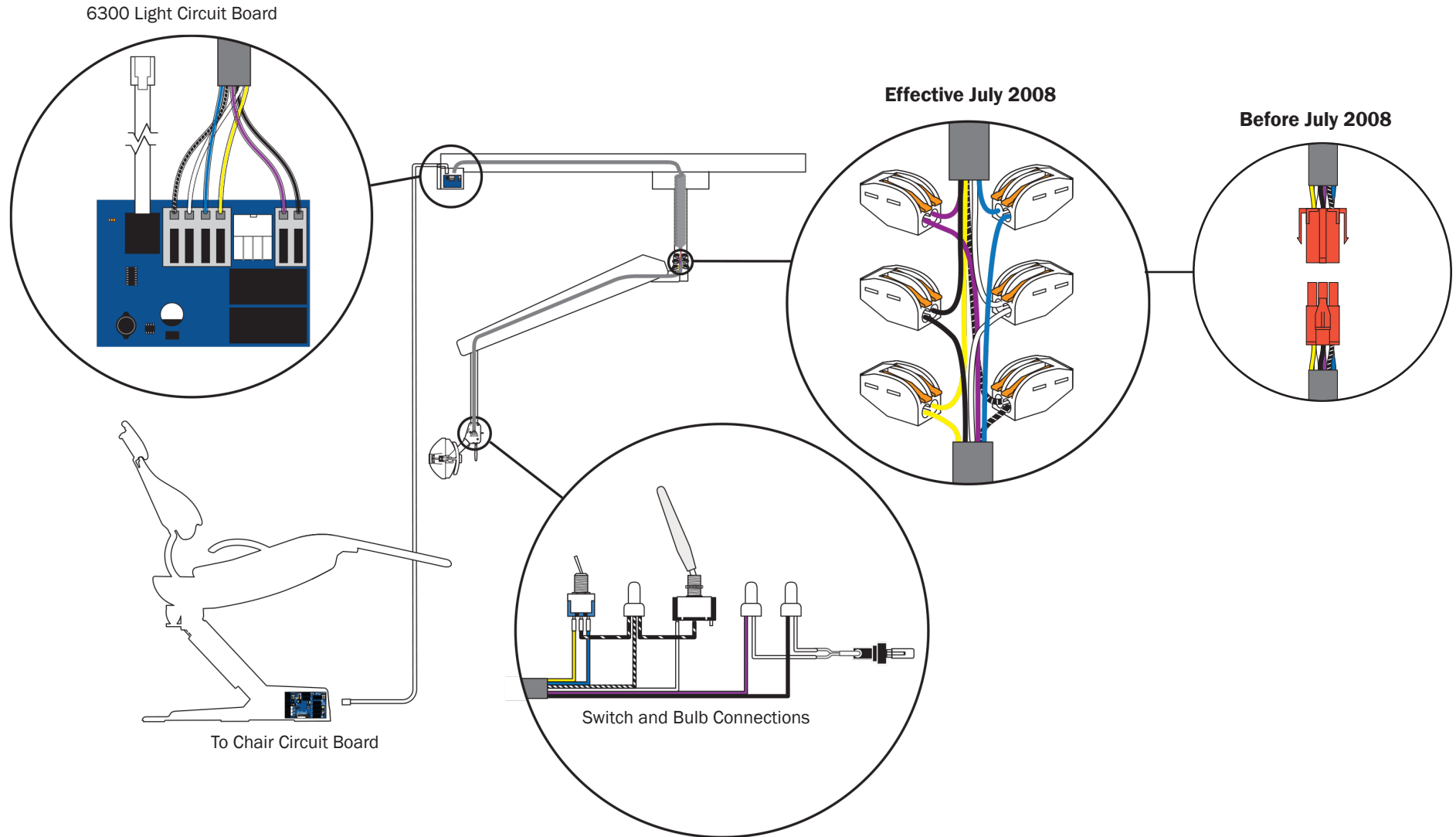


6300 Ceiling, Wall, and Preference Mount Switch and Data Line Connections (Effective April 2004)

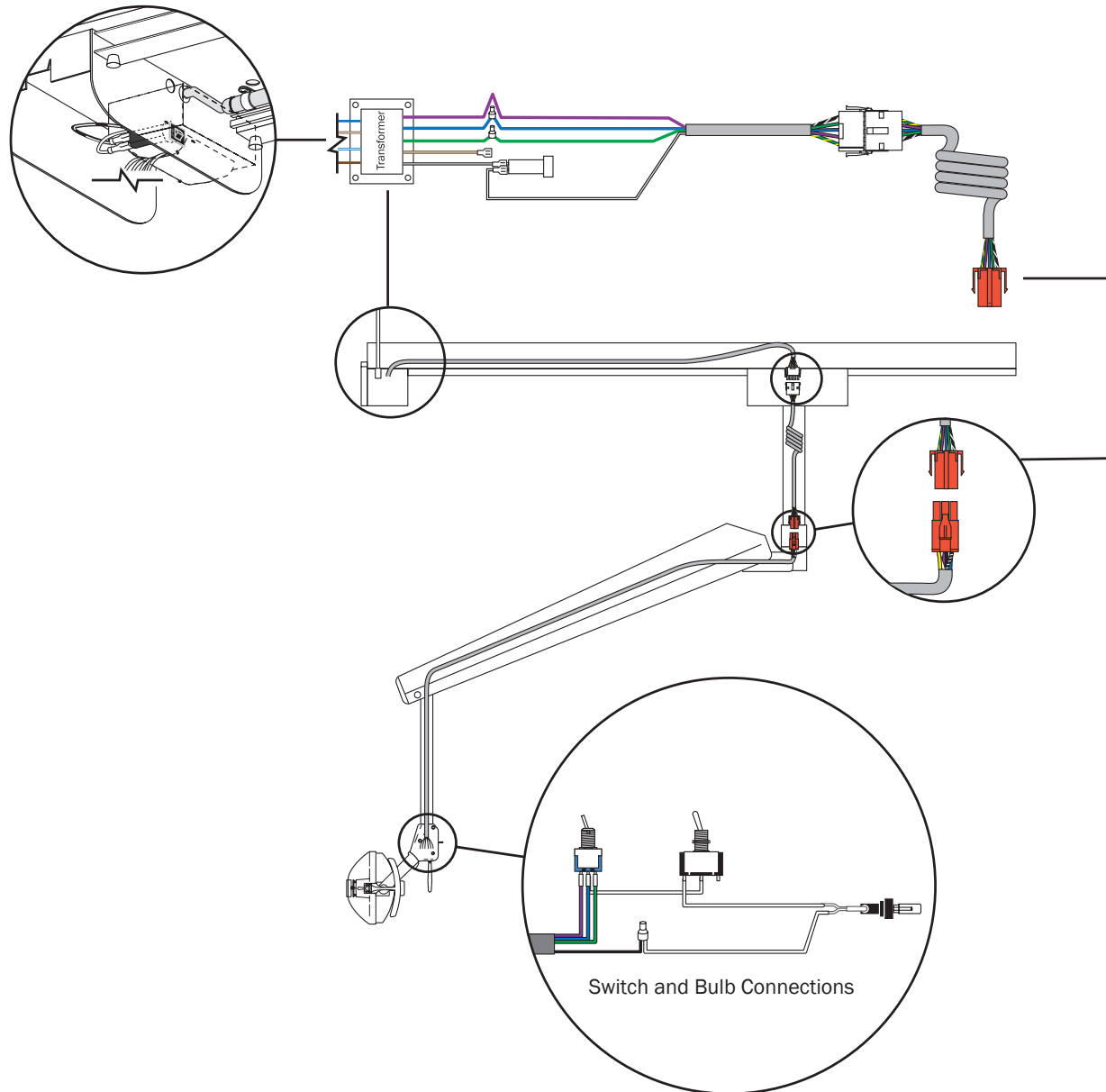


6300 Dental Light Circuit Board

6300 Track Light Switch Connections and Data Line (Effective April 2004)



6300 Track Light Switch Connections and Data Line (Before April 2004)

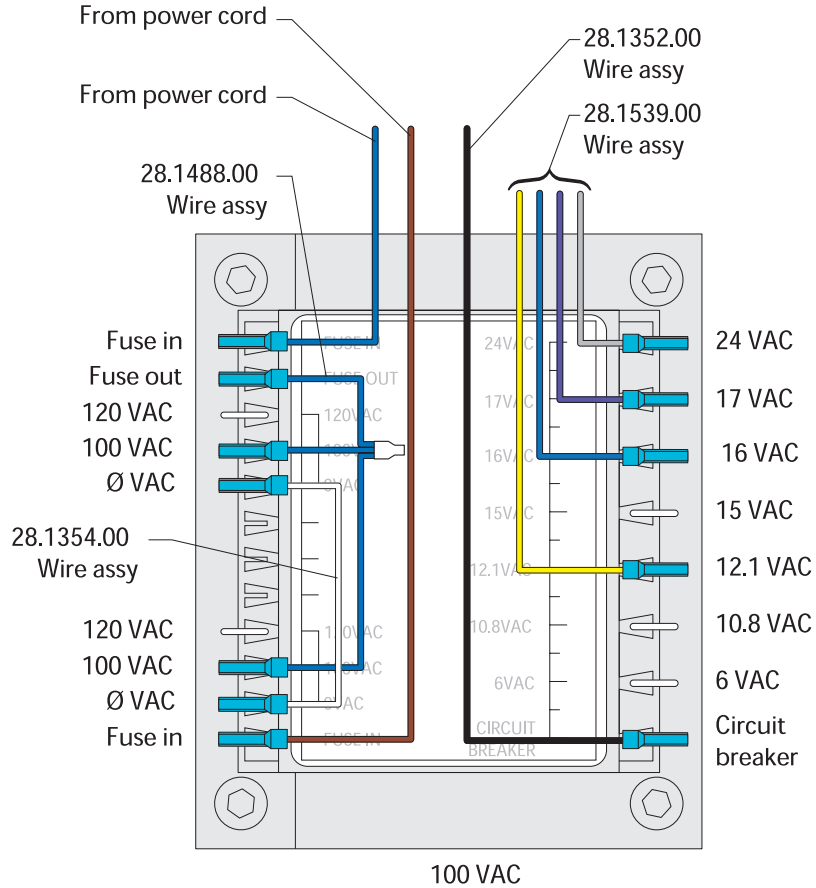


A-dec 571/572/6300 Dental Light Transformer

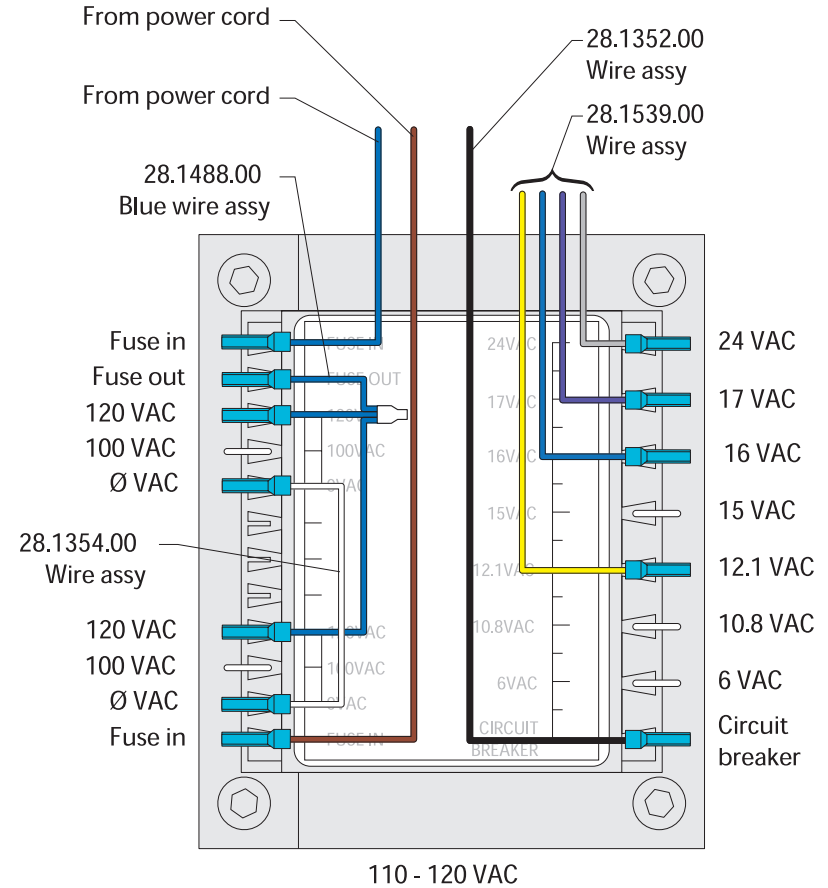
Part Number: p/n 28.1588.00

The transformer is wired three different ways to create 100 VAC, 110-120 VAC, and 220-240 VAC voltages.

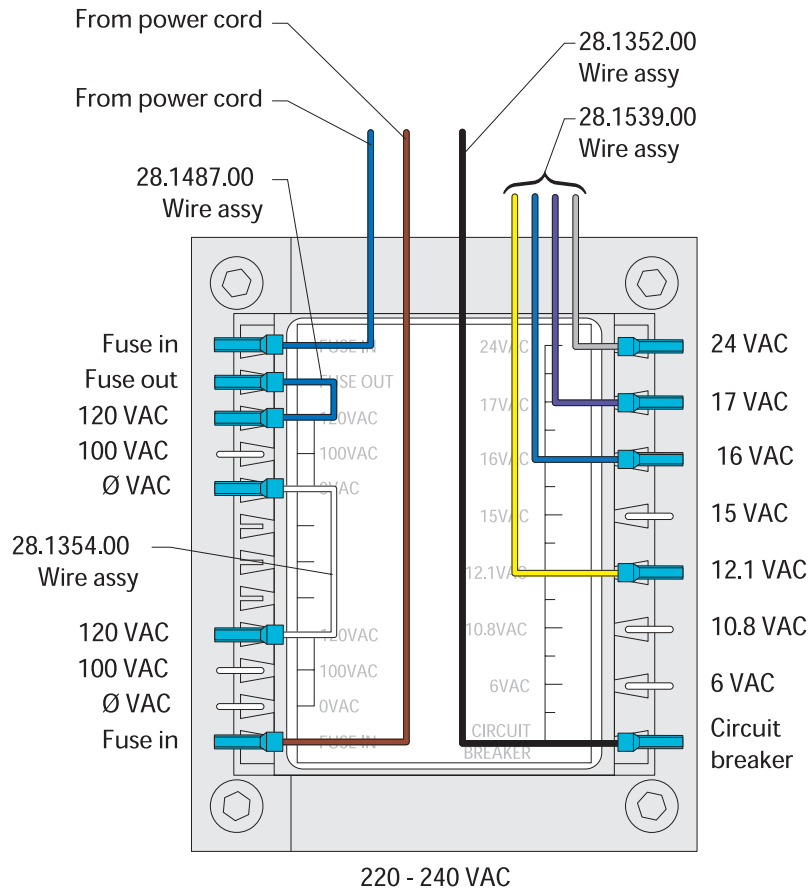
100 VAC Transformer Wiring



110-120 VAC Transformer Wiring



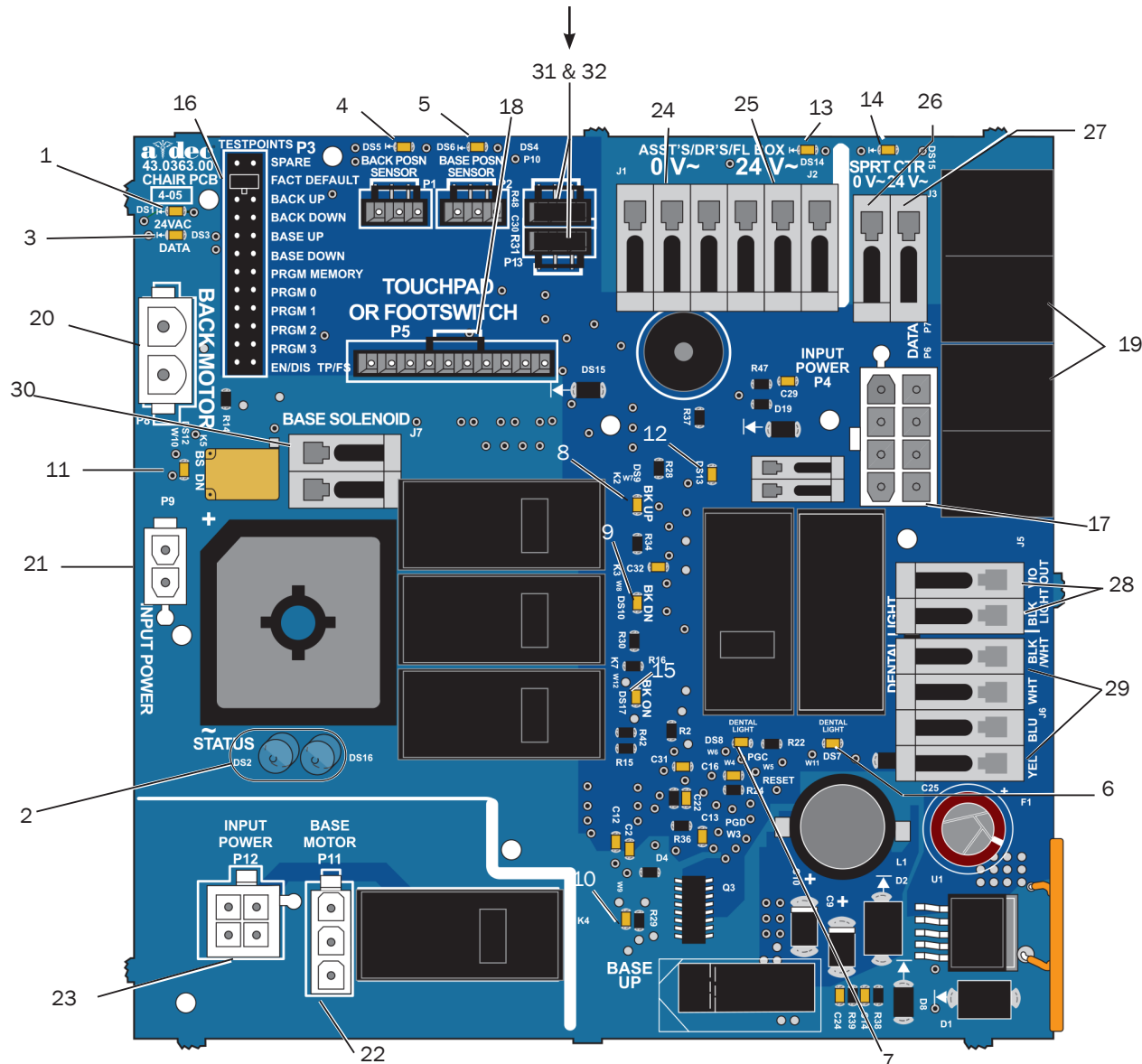
220-240 VAC Transformer Wiring



Halogen 371/372 Dental Light Circuit Board Components

A-dec 311/411 Dental Chair Circuit Board for 371/372 Dental Light on an A-dec 311 and 411 Chair

NOTE Beginning July 2013: Jumpers are required on P10 and P13 for the 311 chair.



311/411 Chair Circuit Board Identification

Item	Description	Item	Description
1	DS1 - AC Power LED (CB1)	17	P4 - Input power connector
2	DS2, DS16 - Status LEDs	18	P5 - Touchpad or footswitch connector
3	DS3 - Data LED	19	P6/P7 - Data ports
4	DS5 - Back position sensor, LED/ P1 Connector	20	P8 - Back motor connector
5	DS6 - Base position sensor LED/ P2 connector	21	P9 - Input power connector
6	DS7 - Dental light LED/Relay K6	22	P11 - Base motor connector
7	DS8 - Dental light LED/Relay K1	23	P12 - Input power connector
8	DS9 - Back up LED/Relay K2	24	J1 - 0 VAC Terminal strip (output) for assistant's, doctor's, floor box
9	DS10 - Back down LED/relay K3	25	J2 - 24 VAC Terminal strip (output) for assistant's, doctor's and floor box
10	DS11 - Base up LED/relay K4	26	J3 - 0 VAC Terminal strip (output) for support center
11	DS12 - Base down LED/relay K5	27	J3 - 24 VAC Terminal strip (output) for support center
12	DS13 - Chair lockout LED/ terminal strip J4	28	J5 - Dental light output terminal strip
13	DS14 - AC Power LED (CB4)	29	J6 - Dental light input terminal strip
14	DS15 - AC Power LED (CB5)	30	J7 - Base solenoid terminal strip
15	DS17 - Back on LED/Relay K7	31	P10 - Jumper - 311 chair only
16	P3 - Testpoints header	32	P13 - Jumper - 311 chair only

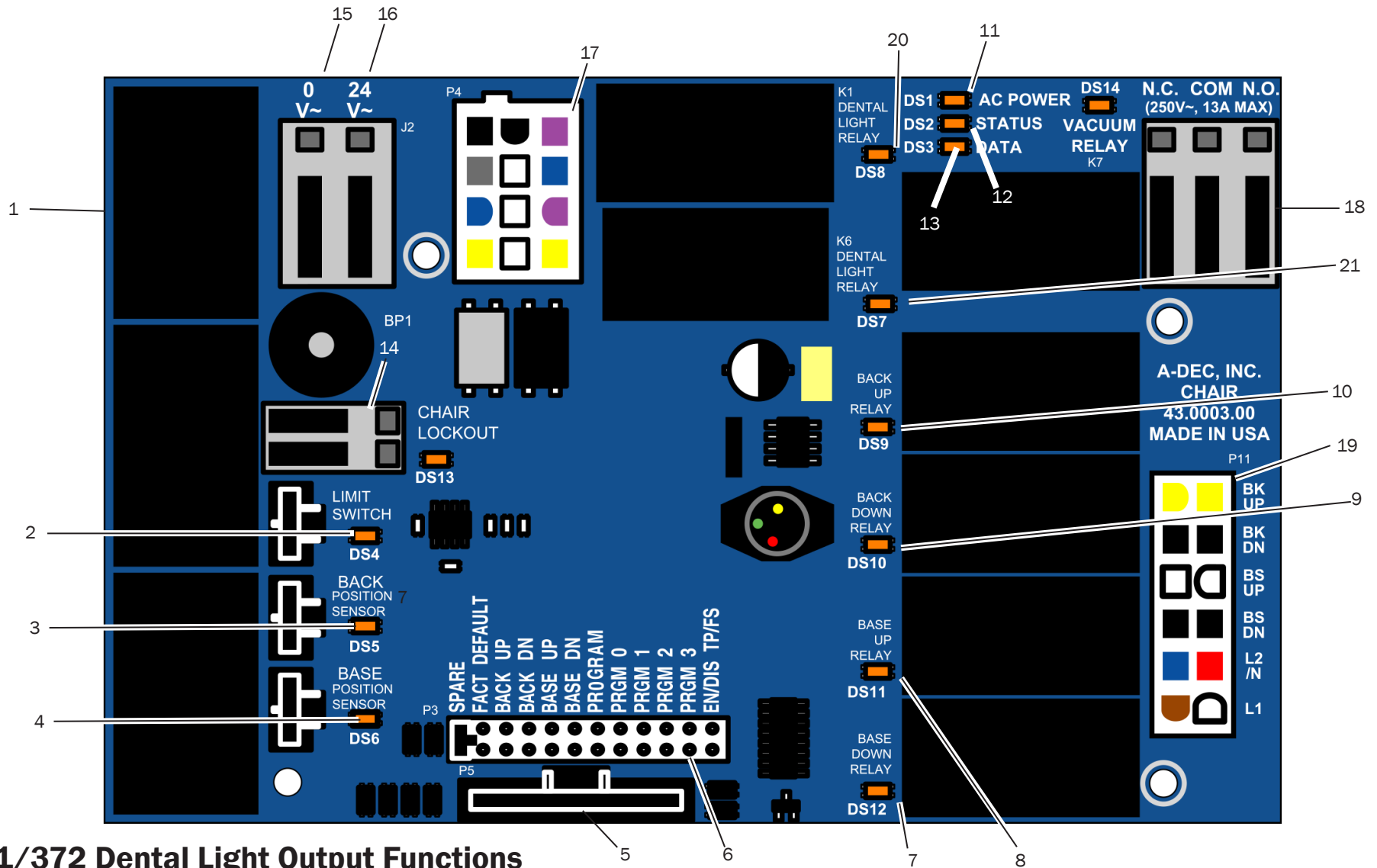


CAUTION Circuit boards are sensitive to static electricity. Electrostatic Discharge (ESD) precautions are required when touching a circuit board or making connections to or from the circuit board. Circuit boards should be installed only by an electrician or qualified service person.

311/411 Chair Circuit Board LED Indicators

LED	Status	Description
DS1, DS14, and DS15 - AC power LED	Off	No 24 VAC power, tripped circuit breaker, power supply turned off
	Green, steady	24 VAC at P1 input power connector
	Off	System is not functioning, no power, or circuit board has failed
DS2 and DS16- Status LED	Blue, steady	Normal operation
	Blue, single blink	Duty cycle limit of chair back has been exceeded
	Blue, double blink	Jumper is in factory mode
DS3 - Data LED	Off	No DCS communication, not connected to the DCS, or DCS has failed
	Green, steady	Detects active DCS
	Green, blinking	Valid DCS Message
DS13 - Chair lockout	Off	Open, (normal)
	Red, on	Closed, (activated)
DS5, DS6 - Chair position sensors	Off	Position Sensor: not connected or bad connection; moving in wrong direction; limited range of motion
	Yellow, steady	Normal operation
	Yellow, fast blink	Upper end of travel
	Yellow, slow blink	Lower end of travel
DS9, DS10, DS11, DS12, DS17- Chair relay LEDs	Off	Relay is off
	On	Relay is on
DS7, DS8 - Dental light relay LEDs	Off	Relay is off
	On	Relay is on

A-dec 511 Chair Board Components for 371/372 Dental Light on an A-dec 511 Chair



371/372 Dental Light Output Functions

Function	K1 (DS8)	K6 (DS7)	Output
Off	Off	Off	0 VAC
High intensity	On	Off	17 VAC
Composite intensity	Off	On	12 VAC

511 Chair Circuit Board Identification

Item	Description	Item	Description
1	P7, P8, P9 - Data ports	11	DS1 - AC Power LED
2	DS4 - Stop switch LED (limit switch)/P10 connector	12	DS2 - Status LED
3	DS5 - Back potentiometer LED/P1 connector	13	DS3 - Data LED
4	DS6 - Base potentiometer LED/P2 connector	14	DS13 - Chair lockout LED/terminal strip J1
5	P5 - Footswitch connector	15	J2 - 0 VAC Terminal strip (output)
6	P3 - Testpoints header	16	J2 - 24 VAC Terminal strip (output)
7	DS12 - Base down LED/relay K5	17	P4 - Input power/dental light connector
8	DS11 - Base up LED/relay K4	18	J3 - Vacuum relay K7 output terminal strip
9	DS10 - Back down LED/relay K3	19	P11 - Pump motor/solenoid connector
10	DS9 - Back up LED/relay K2	20	DS8 - Dental light LED relay/K1
		21	DS7 - Dental light LED relay/K6

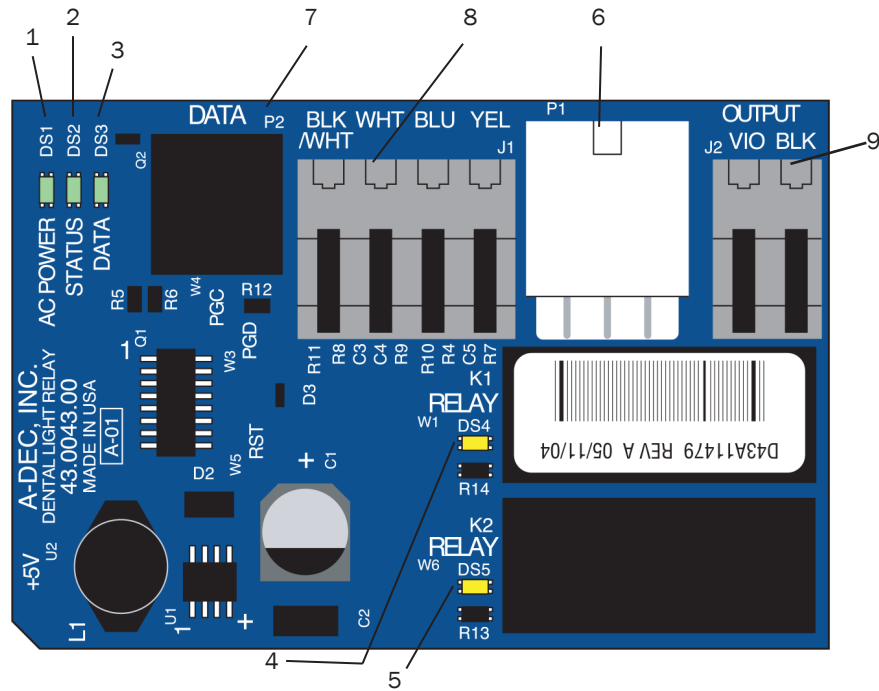


CAUTION Circuit boards are sensitive to static electricity. Electrostatic Discharge (ESD) precautions are required when touching a circuit board or making connections to or from the circuit board. Circuit boards should be installed only by an electrician or qualified service person.

511 Chair Circuit Board LED Indicators

LED	Status	Description
DS1 - AC power LED	Off	No 24 VAC power, tripped circuit breaker, power supply turned off, no line voltage
	Green, steady	24 VAC at the terminal strip
DS2 - Status LED	Off	System is not functioning, no power or circuit board has failed
	Green, steady	Normal operation
DS3 - Data LED	Off	No DCS communication, not connected to the DCS, or DCS has failed
	Green, steady	Detects active DCS
	Green, blinking	Valid DCS message
DS4 - Chair limit switch	Off	Closed, (normal)
	Red	Open, (activated)
DS13 - Chair lockout	Off	Open, (normal)
	Red	Closed, (activated)
DS5 + DS6 - Chair potentiometers	Off	Potentiometer: Not connected or bad connection; moving in wrong direction; limited range of motion; or cable is not on wheel
	Yellow, steady	Normal operation
	Yellow, fast blink	Upper end of travel
DS9, DS10, DS11, DS12 - Chair relay LEDs	Off	Relay is off
	On	Relay is on
DS7, DS8 - Dental light relay LEDs	Off	Relay is off
	On	Relay is on
DS14 - Vacuum relay LED	Off	Relay is off
	On	Relay is on

A-dec 371/372 Dental Light Relay Circuit Board



371/372 Dental Light Relay Circuit Board Identification

Item	Description
1	DS1 - AC power LED
2	DS2 - Status LED
3	DS3 - Data LED
4	DS4 - Dental light relay
5	DS5 - Dental light relay
6	P1 - Input power
7	P2 - Data port
8	J1 - Toggle switch inputs
9	J2 - Dental light output power

371/372 Dental Light Relay Board LED Indicators

LED	Status	Description
DS1 - AC power LED	Off	No 24 VAC power, tripped circuit breaker, power supply turned off, no line voltage
	Green, steady	24 VAC at the terminal strip
DS2 - Status LED	Off	System is not functioning, no power or circuit board has failed
	Green, steady	Normal operation
DS3 - Data LED	Off	No DCS communication, not connected to the DCS, or DCS has failed
	Green, steady	Detects active DCS
	Green, blinking	Valid DCS message
DS4, DS5 - Dental light relay LEDs	DS4, DS5	Dental light off
	On, Off	High intensity
	Off, On	Composite intensity
		Medium intensity

371/372 Dental Light Output Functions

Function	K1 (DS4)	K2 (DS5)	Output
Off	Off	Off	0 VAC
High intensity	On	Off	17 VAC
Composite intensity	Off	On	12 VAC



CAUTION Circuit boards are sensitive to static electricity. Electrostatic Discharge (ESD) precautions are required when touching a circuit board or making connections to or from the circuit board. Circuit boards should be installed only by an electrician or qualified service person.

Halogen 371/372 Dental Light Wiring and Power Connections

371/372 Dental Light Connections



TIP Any DCS enabled touchpad connected to a light's DCS system will activate the dental light function.

On/Off Switch

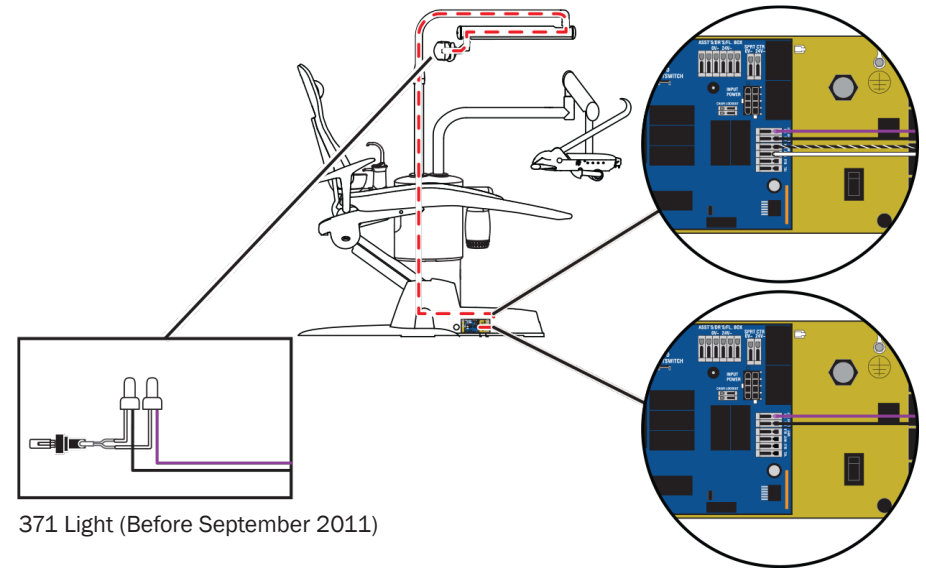
The on/off switch is used to manually turn on or off the dental light from the light head. The replacement kit is p/n 90.1039.00.

Position	Voltage	Wire
Open	5 VDC	White
Closed	0 VDC	White



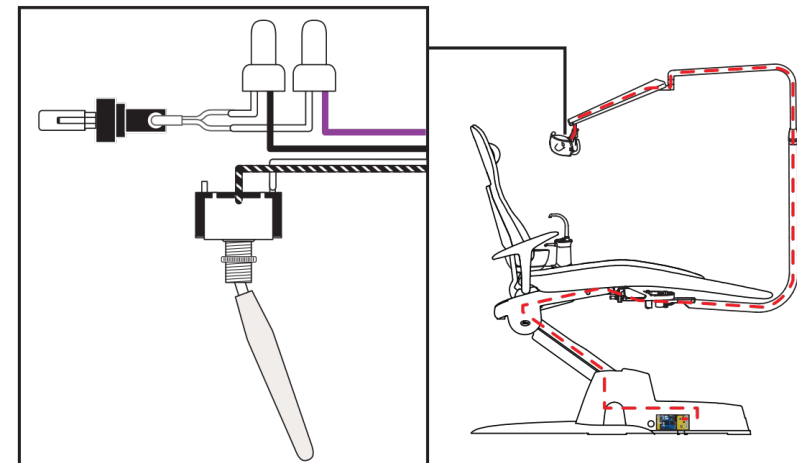
NOTE All DC voltage measurements are taken with the black multimeter lead on the black/white wire.

371/372 Dental Light Switch Connections



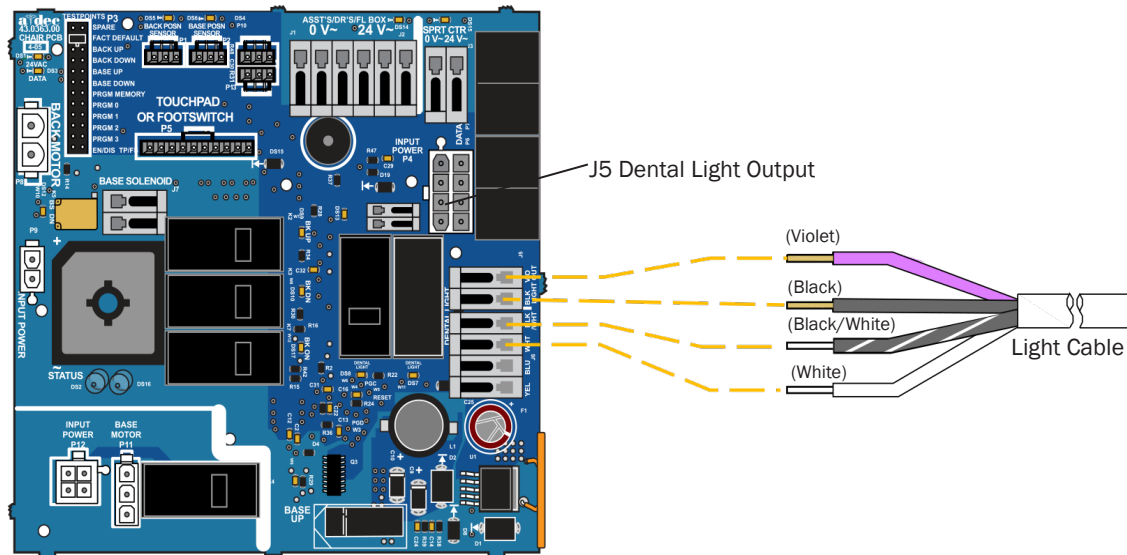
371 Light (Before September 2011)

371/372 Lights (Effective September 2011)



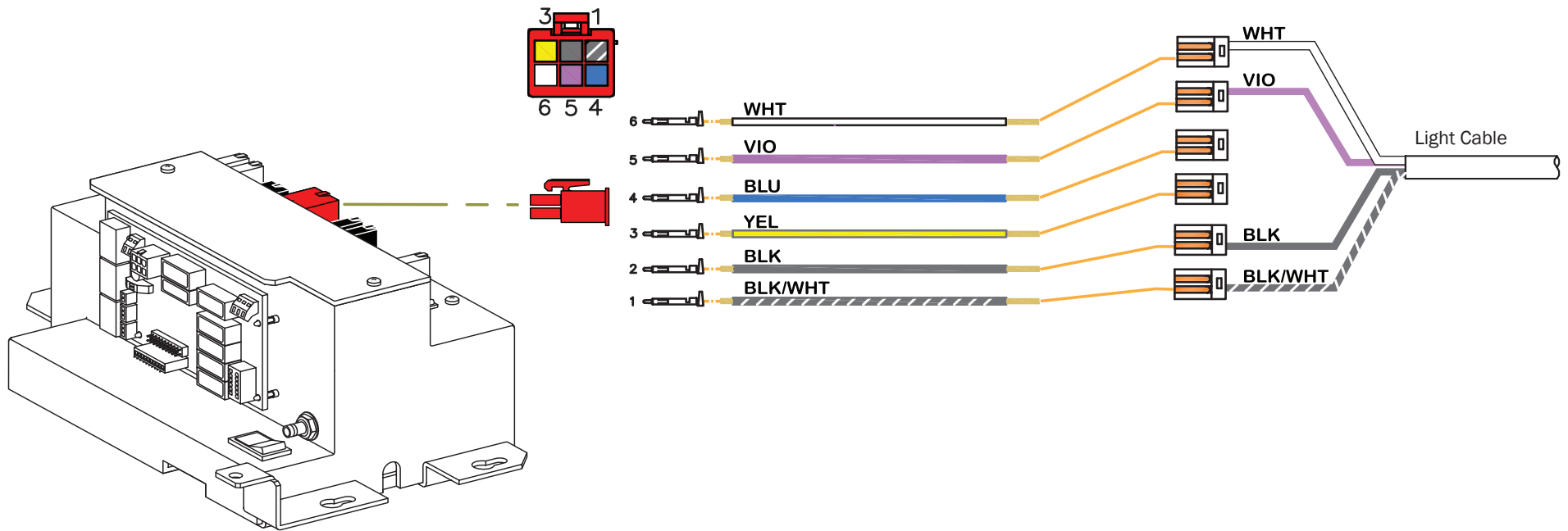
A-dec 371/372 Dental Light Wire Connections on an A-dec 311 Chair

Terminal	Voltage	Terminal Label	Wire
J5	17/12.1 VAC	VIO	Violet
J5	0 VDC	BLK	Black



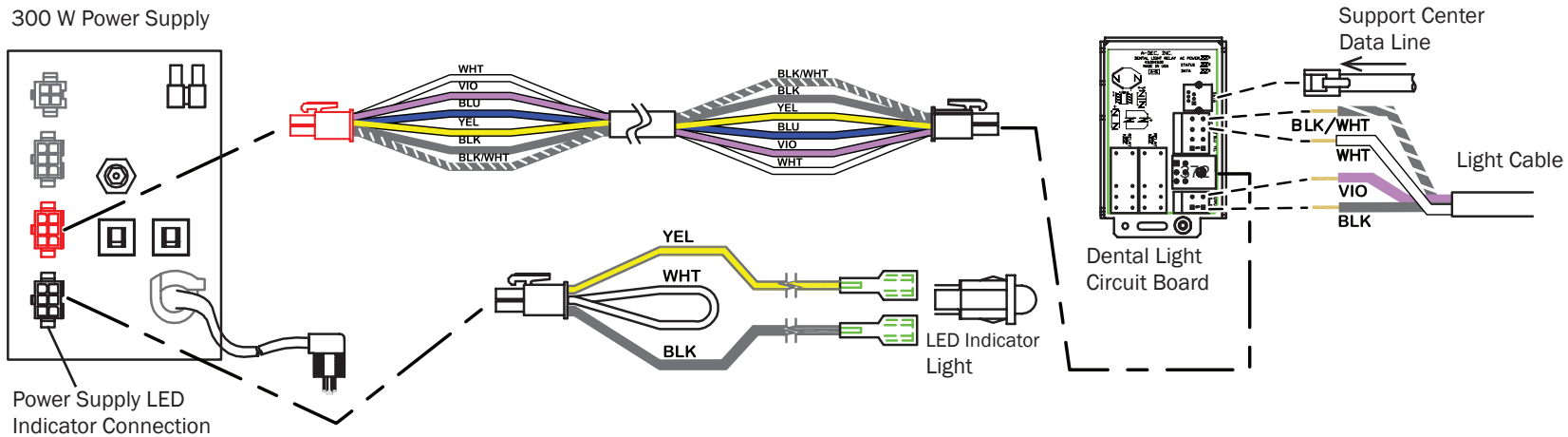
A-dec 371 Dental Light Wire Connections on an A-dec 511 Chair

PIN	Voltage	Terminal Label	Wire
5	17/12.1 VAC	VIO	Violet
2	0 VAC	BLK	Black
6	0/5 VAC	WHT	White
1	0 VAC	BLK/WHT	Black with white stripe



A-dec 371/372 Dental Light Wire Connections on Cascade/Decade/Performer/Priority Chairs

Terminal	Voltage	Terminal Label	Wire
J2	17/12.1 VAC	VIO	Violet
J2	0 VAC	BLK	Black
372 Dental Light			
J1	0 VDC (circuit ground)	BLK/WHT	Black/White
J1	5 VDC = on/off toggle = open 0 VDC = on/off toggle = closed	WHT	White (On/Off)
J1	5 VDC = medium or composite 0 VDC = high out	BLU	Blue
J1	5 VDC = high or medium 0 VDC = composite	YEL	Yellow (composite)
J2	17/16/12.1 VAC	VIO	Violet
J2	0 VAC	BLK	Black



NOTE The LED indicator must be connected to the power supply for the dental light circuit board to function correctly.

Monitor Mounts

Monitor Mounts Overview

Monitor Mount Identification

300 Support Side Mounted



382 Radius Mounted



381 Light Post Mounted



482 Light Post Mounted



581 Support Center Mounted



586 Ceiling Mounted



584 Central Cabinet Mounted



587 Cabinet Track Mounted



Inspire 591 Telescoping Track Mounted



585 Wall/Side Cabinet Mounted



Monitor Mount Specifications

Maximum Monitor Weight:

31 lb (14.1 kg) for models 382, 584, 585 586

20 lb (9.1 kg) for models 381, 482 , 581, 587, Inspire 591

Recommended Maximum Monitor Size:

19" (482 mm) diagonal 4:3 ratio monitor, 21" diagonal 16:9 ratio monitor



NOTE Recommended Maximum Monitor Size is intended to minimize the likelihood of interference with other equipment. Larger sizes may be used as long as the maximum weight is not exceeded and interference is not present.



NOTE A-dec monitor mounts are VESA (Video Electronics Standards Association) compliant, so they support most monitor brands and sizes.



NOTE A-dec monitor mounts are intended to support and position a medical grade or equivalent flat-panel monitor.



NOTE Specifications are subject to change without notice. Some requirements may vary from country to country. For more information, contact your authorized A-dec dealer.

Monitor Mount Adjustments

Monitor Mount Handle Adjustments

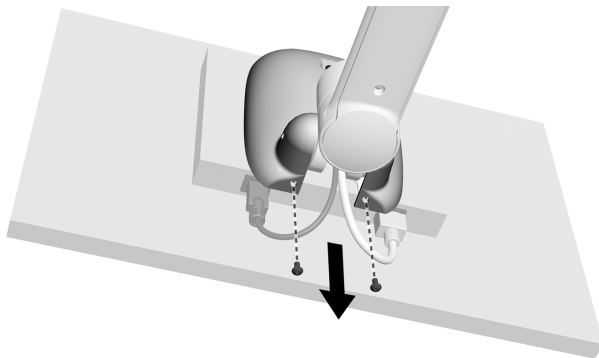
Handle Adjustments for 381/482/581/587/Inspire 591

Remove the Back Cover



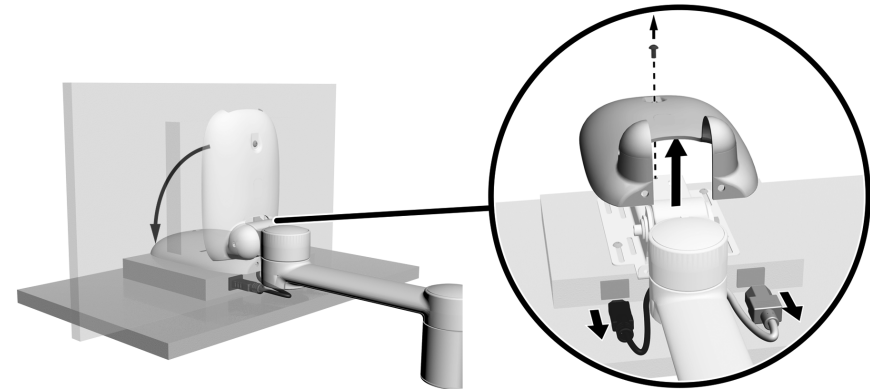
CAUTION Shock hazard. When you remove or replace the covers, take care not to damage any wiring or tubing. Verify that the covers are secure after you replace them.

1. Tilt the monitor up.
2. Use a 1/8" hex key to remove the two screws in the bottom of the cover.



3. Tilt the monitor mount down as far as you can.
4. Use a 1/8" hex key to remove the top screw.

5. Remove the cover, and unplug the cables.

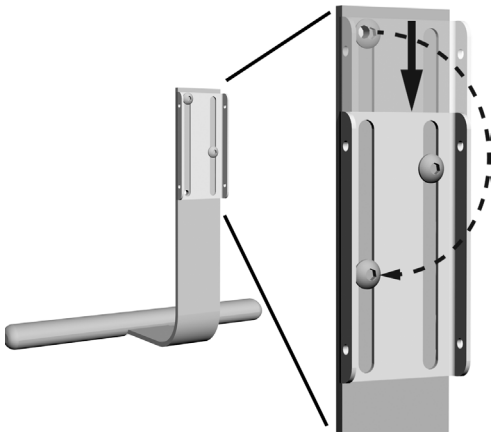


Adjust the Handle

1. Adjust the handle to the desired position.
2. Use a 5/32" hex key to secure the handle.

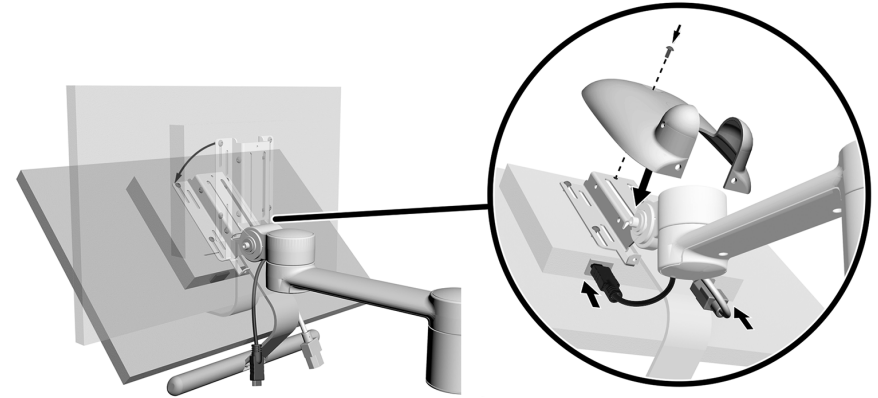


3. To position the handle closer to the monitor, move the bracket lower on the handle. Use a 5/32" hex key to move the top screw to the lower position on the handle.

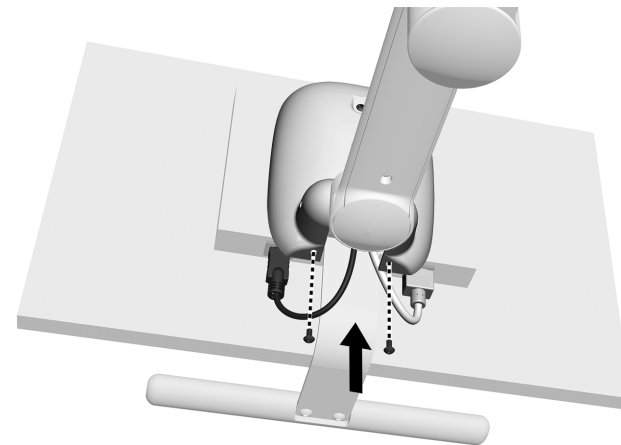


Install the Cover

1. Tilt the monitor down as far as you can.
2. Plug in the cables.
3. Place the cover over the bracket.
4. Use a 1/8" hex key to install the top screw.

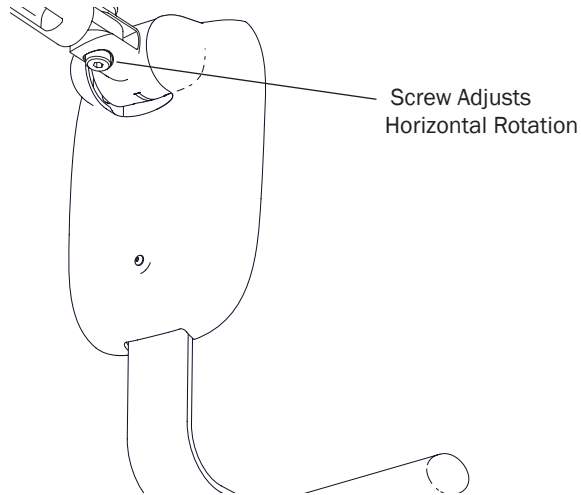


5. Tilt the monitor mount up.
6. Use a 1/8" hex key to install two screws to the bottom of the cover.



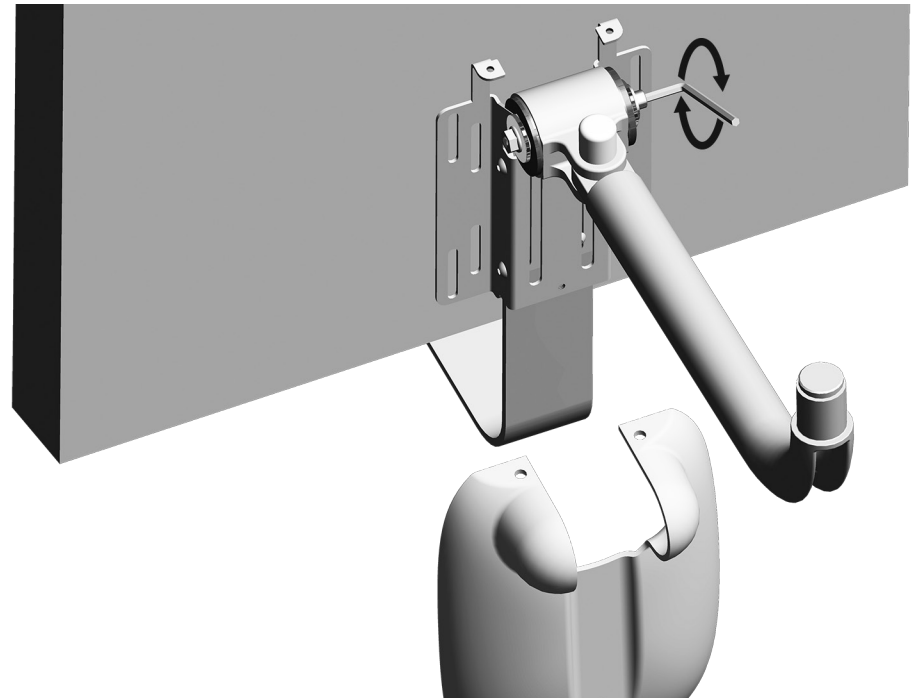
Panning Friction Adjustment (587)

Use a 3/16" hex key to tighten or loosen the panning friction adjustment screw on the track mount until it freely rotates.



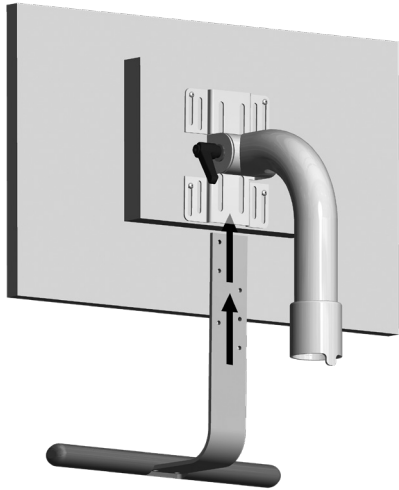
Horizontal Friction Adjustment (587)

Increase the horizontal friction by using a 3/16" hex key to tighten the adjustment screw.

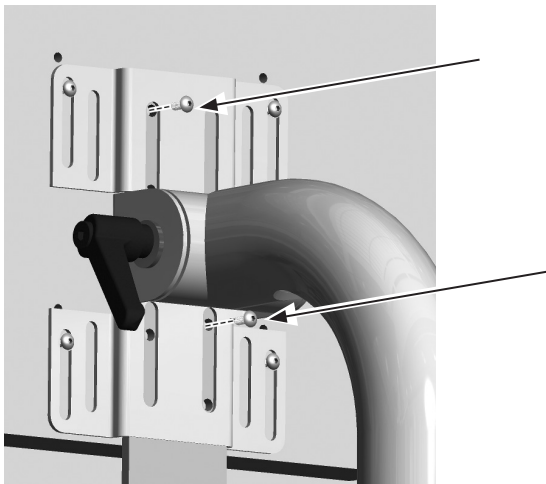


Handle Adjustments for 382

1. If there is a bracket installed on the handle, remove it.
2. Tilt the monitor mount up.
3. Slide the handle up into the VESA bracket.

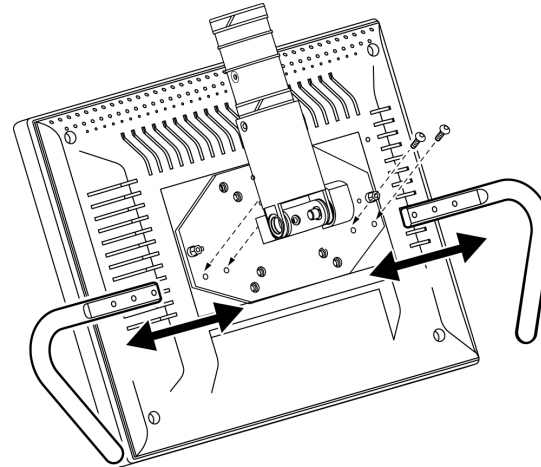


4. Use a 5/32" hex key to secure the handle to the VESA bracket.
5. To change the handle position, use a 5/32" hex key to loosen the screws, move the handle up or down, and tighten the screws again.



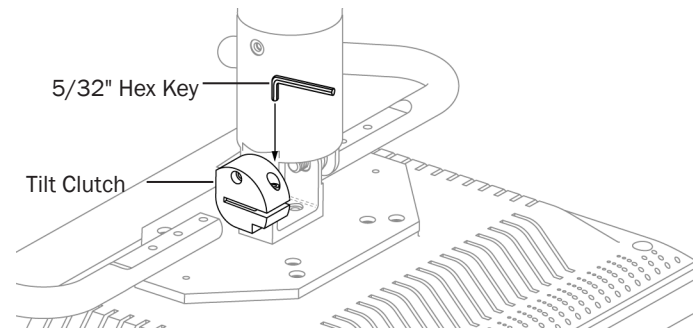
Handle Adjustments for 584/585/586

1. Use a 5/32" hex key to remove the screws securing the monitor mount handles to the monitor. Move the handles to the desired position and secure the screws.



Adjust the Tilt Friction

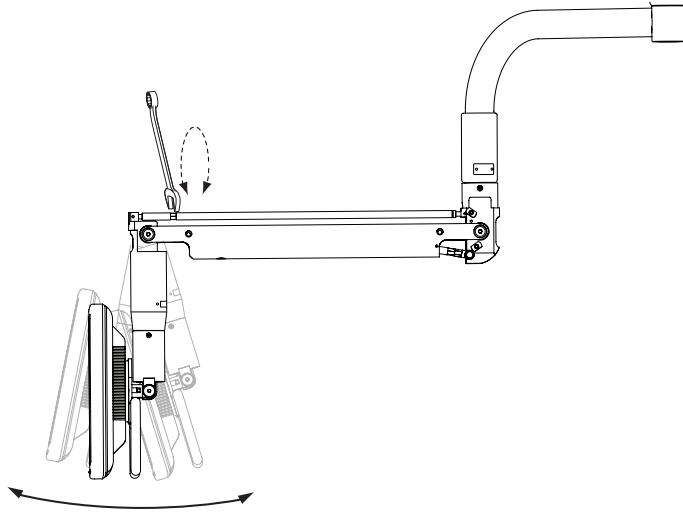
The tilt friction adjustment adjusts the monitor's pivot tension. Use a 5/32" hex key to adjust the tilt friction.



Monitor Mount Vertical Post and Flexarm Adjustments 584/585/586

Adjust Vertical Post

1. Use a 7/16" wrench to adjust the alignment of the monitor to the flexarm.

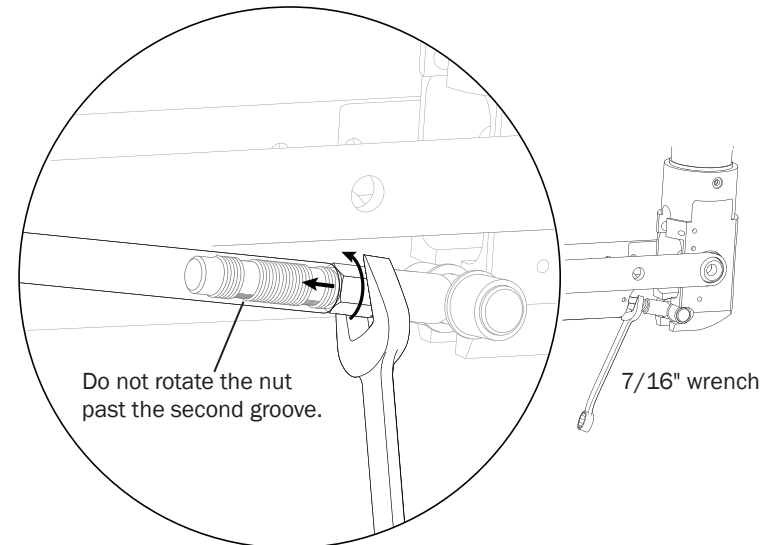


Adjust Flexarm Counterbalance

The flexarm might drift slightly up or down. If the flexarm drifts down, increase the tension. If the flexarm drifts up, decrease the tension.

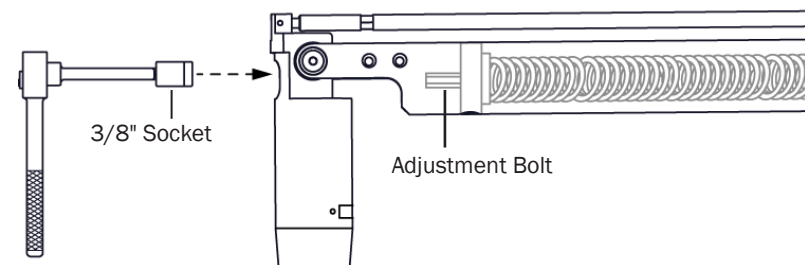
Increase the Tension

Use a 7/16" wrench to turn the nut. Do not rotate the nut past the second groove.



Decrease the Tension

Use a 3/8" socket and ratchet with a 6" extension to loosen the bolt at the front of the flexarm. The factory preset for this bolt is all the way in so initially you can only loosen the bolt.

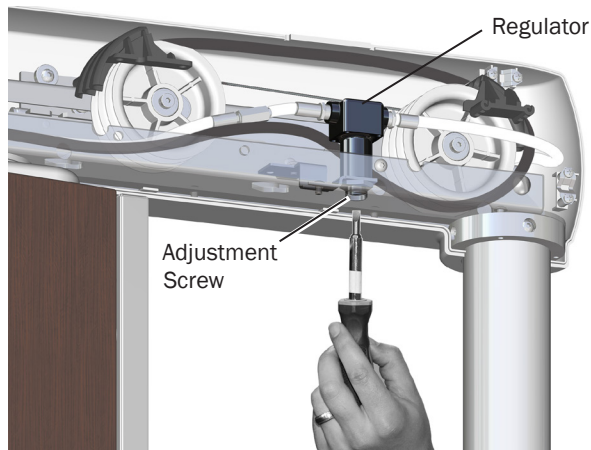


Telescoping Mount Arm Adjustments Inspire 591



CAUTION Turning the adjustment screw too far clockwise or counterclockwise will damage the regulator. Stop turning the adjustment screw if it does not turn easily. Be sure air is connected before adjusting the air pressure.

1. Remove the mount arm cover.
2. Move the monitor up and down. If the monitor drifts up after moving and releasing it, decrease the air pressure by using a standard screwdriver to turn the adjustment screw counterclockwise. Make small adjustments until the monitor stops drifting.



3. If necessary, use a 5/64" hex key to adjust the tilt clutch mechanism so that the monitor can be placed in the desired position without drifting. Counterclockwise increases the tension.

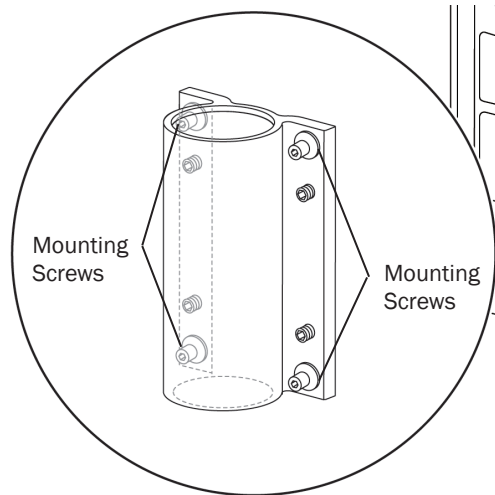
Tilt Clutch Screw



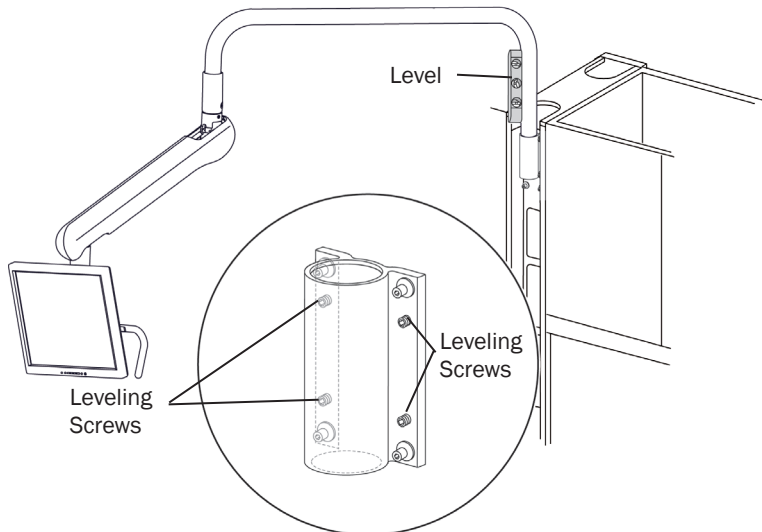
4. Install the cover.

Monitor Mount Leveling 584/585

1. Loosen the four mounting screws in the corners of the mount.



2. Place a level on a vertical section of the rigid arm.
3. Use the leveling screws to level the arm.



4. Once the arm is level, securely tighten the mounting screws.



 **A-dec Headquarters**

2601 Crestview Drive
Newberg, Oregon 97132
United States
Tel: 1.800.547.1883 within USA/CAN
Tel: +1.503.538.7478 outside USA/CAN
www.a-dec.com

A-dec Australia

Unit 8
5-9 Ricketty Street
Mascot, NSW 2020
Australia
Tel: 1.800.225.010 within AUS
Tel: +61.(0).2.8332.4000 outside AUS

A-dec China

A-dec (Hangzhou) Dental Equipment Co., Ltd.
Building 5, 528 Shunfeng Road
Tangqi Town, Linping District
Hangzhou, Zhejiang, China 311100
Tel: 400.600.5434 within China
Tel: +86.571.89026088 outside China

A-dec United Kingdom

Austin House
11 Liberty Way
Nuneaton, Warwickshire CV11 6RZ
England
Tel: 0800.ADEC.UK (2332.85) within UK
Tel: +44.(0).24.7635.0901 outside UK

86.0326.00 Rev G
Date of Issue: 2023-06-20
Copyright 2023 A-dec, Inc.
All rights reserved.