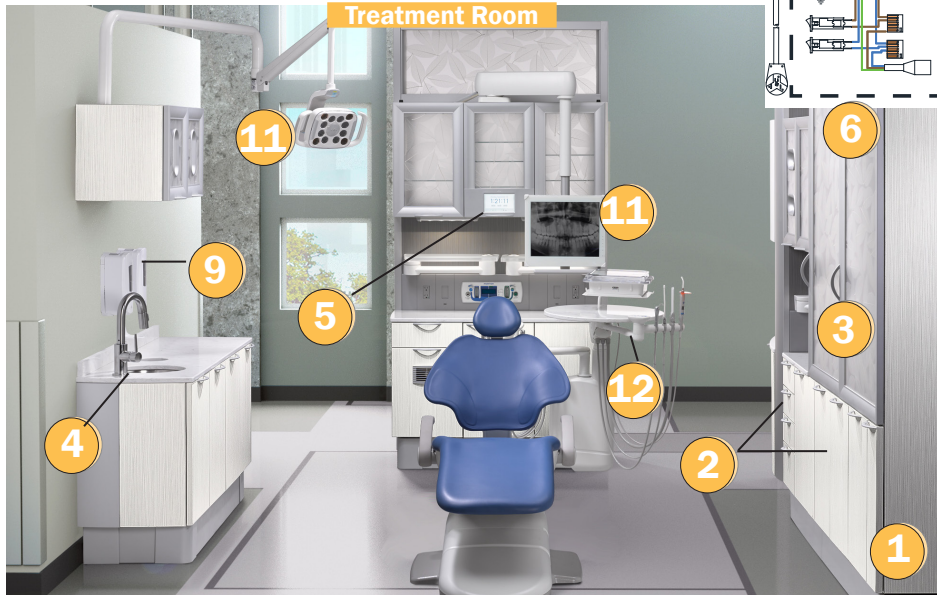


## Content Map



1	Column and Base Covers .....	2
2	Drawers and Shelves.....	5
3	Doors.....	11
4	Sinks, Faucets, and Foot Pedal Plumbing .....	15
5	Control Center .....	21
6	Distribution Box and Wiring Diagrams (591, 592, 593) ..	24
7	Power Box and Wiring Diagram (594) .....	31
8	Instrument Dryer .....	34
9	Soap and Hand Sanitizer Dispensers .....	38
10	Copyright.....	40
11	Dental Light and Monitor Mount <i>(See the dental lights and monitor mount service documentation.)</i>	
12	Delivery/Support System <i>(See the delivery system service documentation for the installed system.)</i>	



Topics noted with this icon are supported with supplemental video. Clicking on this icon will direct you to [www.a-dec.com/InspireSupport](http://www.a-dec.com/InspireSupport), where you can view a number of user support video topics.

# 1 Column and Base Covers

## Contents

Adjust Column Covers.....	2
Free Standing Cabinets Only .....	3
Remove and Install Base Covers .....	4

## Adjust Column Covers

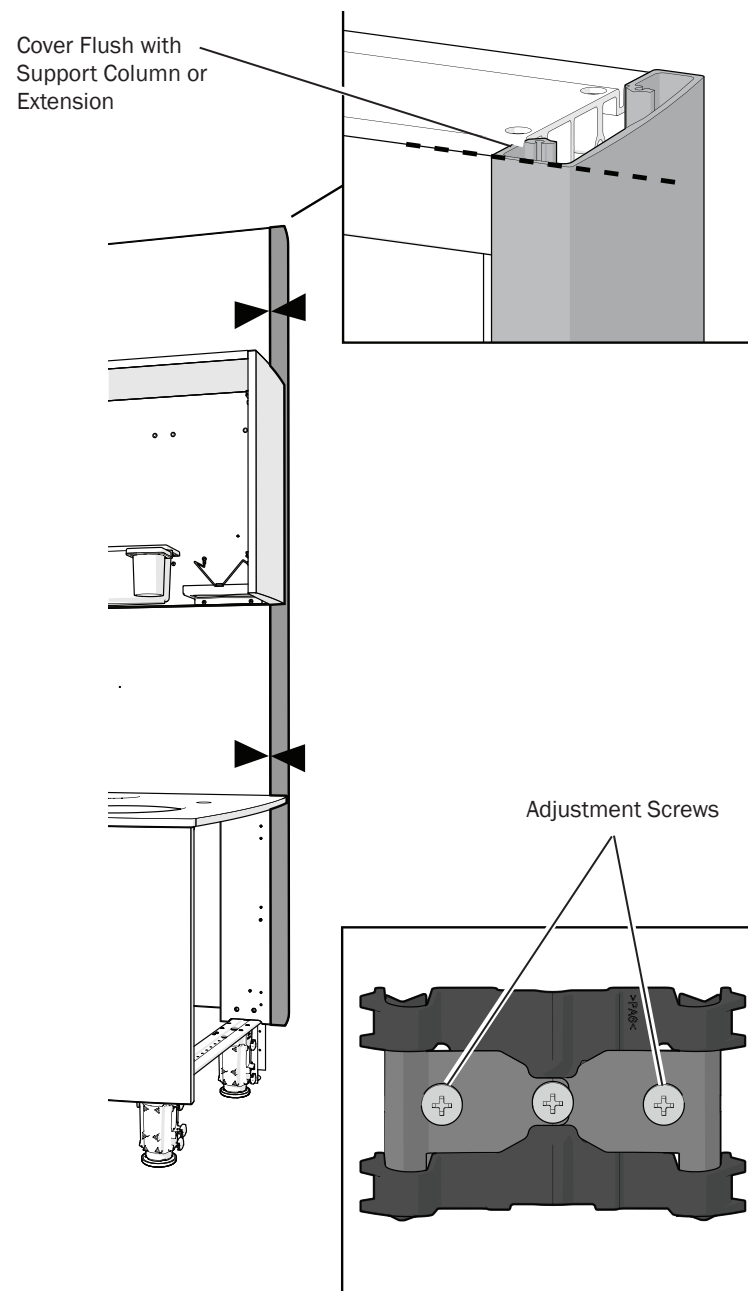


**NOTE** These procedures do not apply to structural column covers or column covers with interior covers.

1. Make sure the cover is aligned flush with the top of the extension or support column.
2. To reduce the size of the gap between the cover and the cabinet, remove the cover and rotate the two outside screws on each spring clip clockwise.

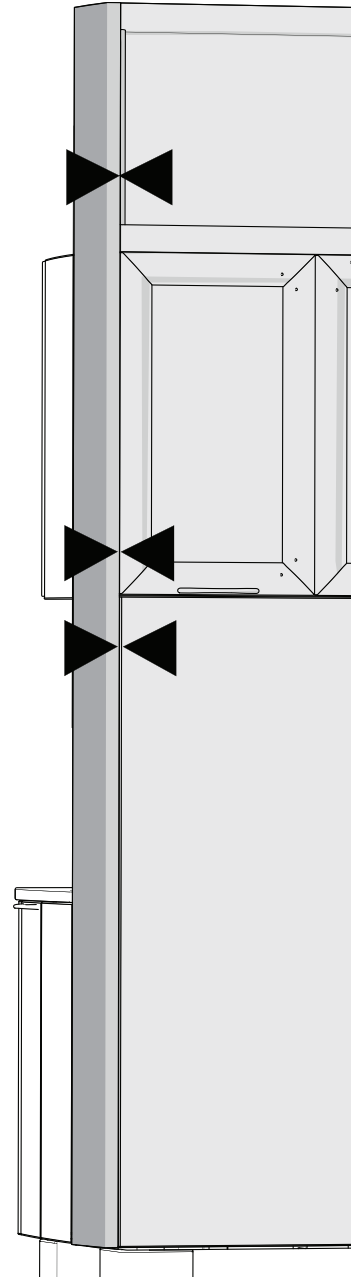


**NOTE** Adjust both screws by equal amounts or the cover may shift side to side.



## Free Standing Cabinets Only

From the back, make sure the column cover is flush against the extension and maintains a consistent gap alongside the upper and lower (matching the door gaps if present).



## Remove and Install Base Covers



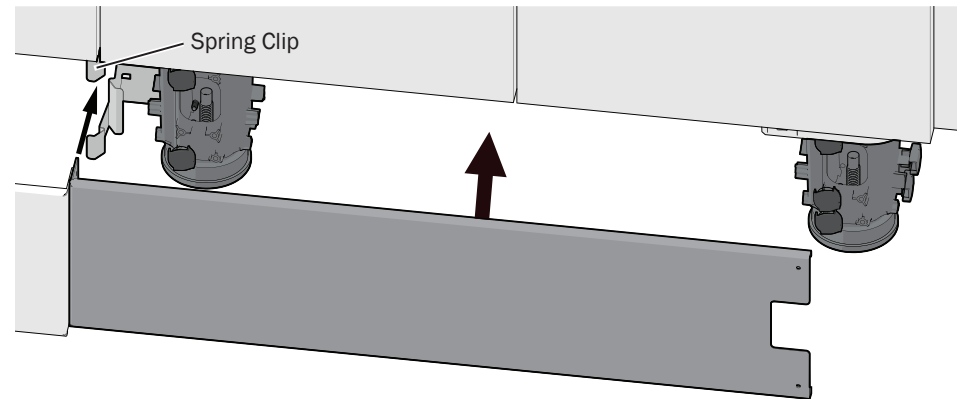
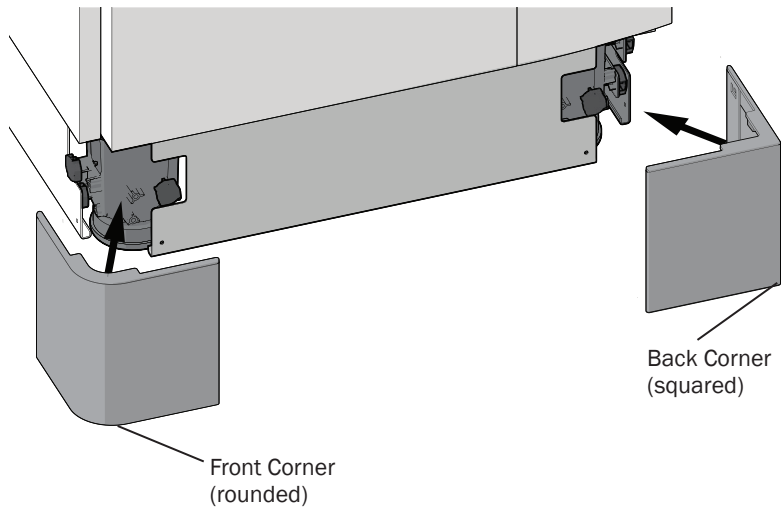
**CAUTION** Base covers are held in place with high strength magnets. To avoid pinching fingers when removing or installing the base covers, hold the base cover by the outer edges.

Cabinet base covers are removed for cleaning or to access utilities. Pull the covers straight out to remove them. When you reinstall the covers, make sure they attach in their original location onto magnets or inserted into spring clips. Place the rounded covers on the front corners of the cabinet and the square covers on the back corners.



**NOTE** To remove a cover behind a foot pedal, first remove the foot pedal.

### Side Corners



## 2 Drawers and Shelves

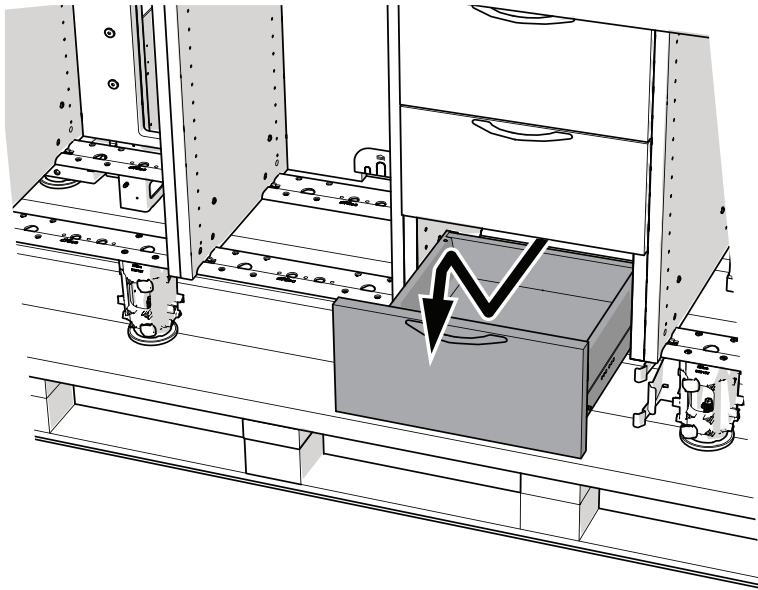
### Contents

Remove Drawers/Shelves.....	5
Adjust Swing-Out Shelf Tension.....	7
Adjust Floating Shelf .....	7
Adjust Drawer Faces .....	9
Adjust Insert Drawer and Storage Pullout Drawer Faces .	10

### Remove Drawers/Shelves

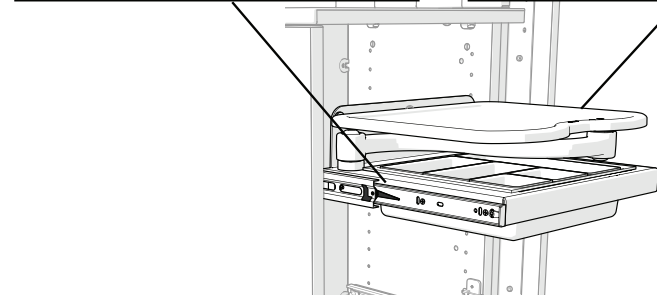
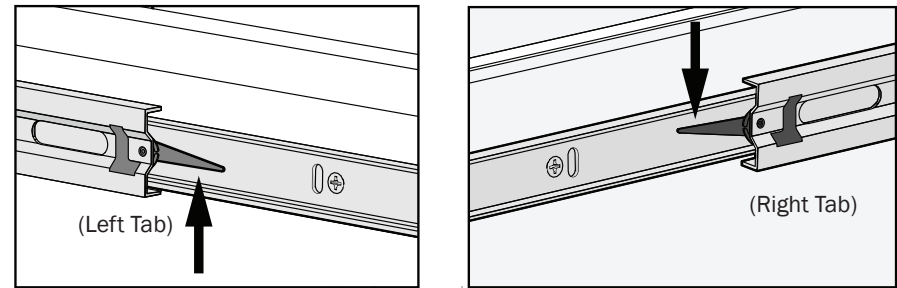
All of the drawers and shelves can be removed for access to wiring and utilities or to retrieve anything that may have fallen behind the drawers.

**Storage Drawer:** To remove, pull out, lift up, then push down.

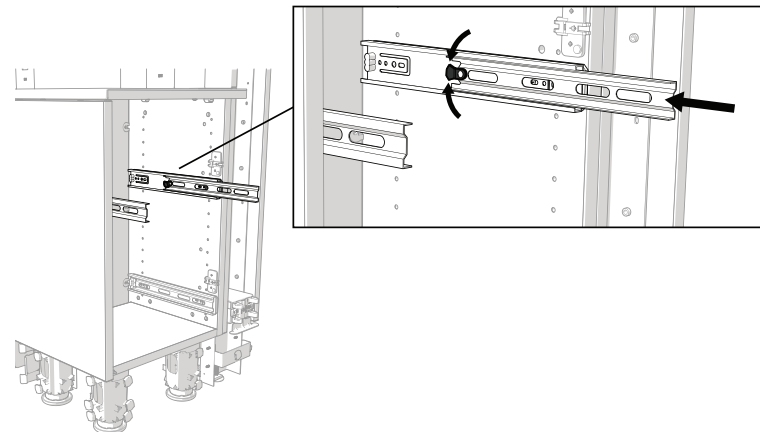


**Swing-Out Shelf:** To remove a swing-out shelf, push the right tab down and left tab up.

(Optional) To remove the swing-out shelves, lift the left side tab up and push the right side tab down while sliding out the shelf.



**TIP** To push the rails into the cabinet so they are out of the way, center the tab in the middle of the rail then push the rail in.

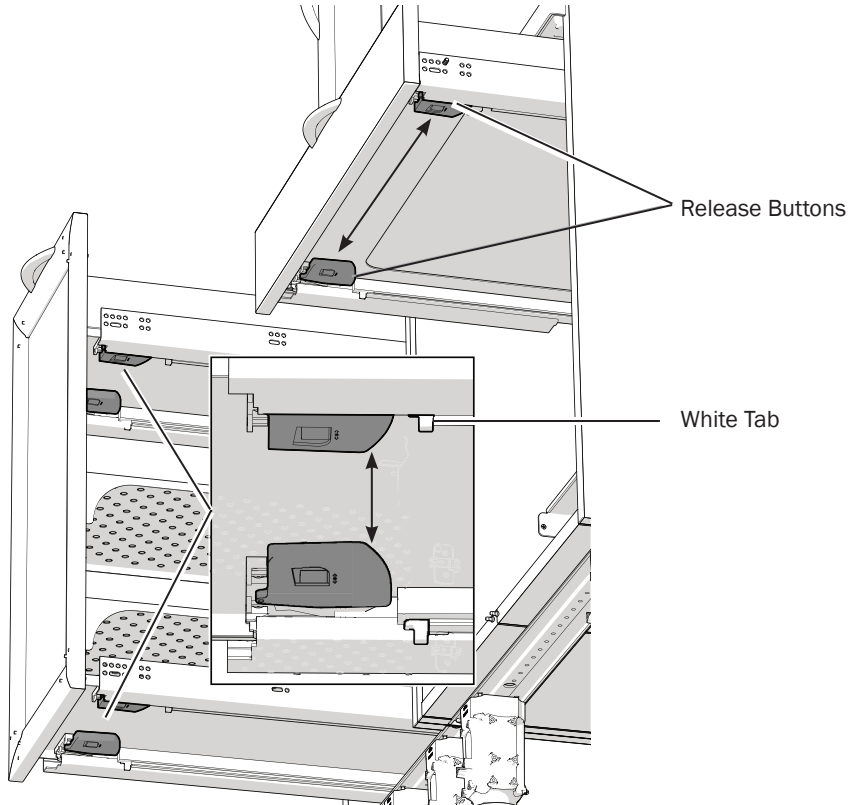


**Insert Drawer and Storage Pullout:** To remove, squeeze the large orange release buttons on the bottom of the drawer and pull the drawer out.

The storage pullout has two sets of release buttons.

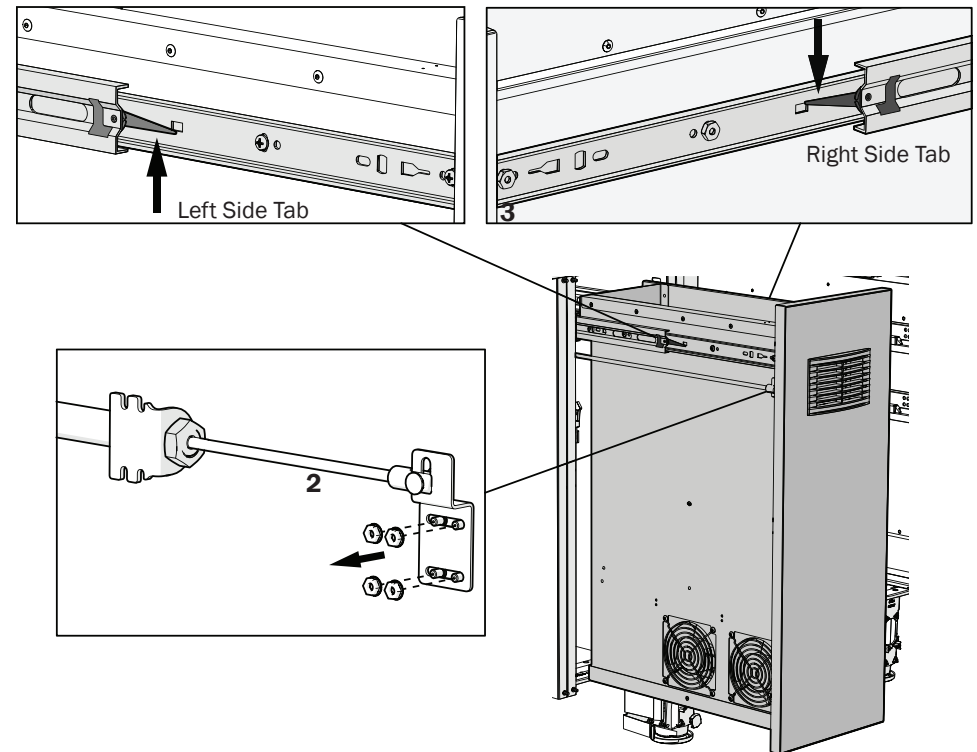


**TIP** For drawers with four release buttons, slide the white tab back after you squeeze the first two buttons to keep them disengaged then squeeze the second set of buttons.



### Dryer Drawer:

1. Press the foot pedal and open the dryer drawer.
2. Remove four nuts and separate the pneumatic cylinder from the dryer.
3. Lift the left side tab up and push the right side tab down while sliding out the dryer. Leave the drawer's electrical connections intact, but move the dryer on the ground out of the way.



## Adjust Swing-Out Shelf Tension

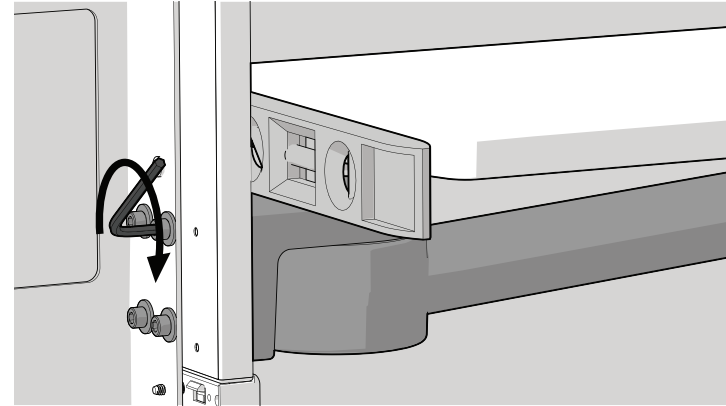
Swing-out shelves include two tension adjustment points, one on each side of the shelf arm (one above and one below the shelf). Use a 5/16" hex key to adjust.



## Adjust Floating Shelf

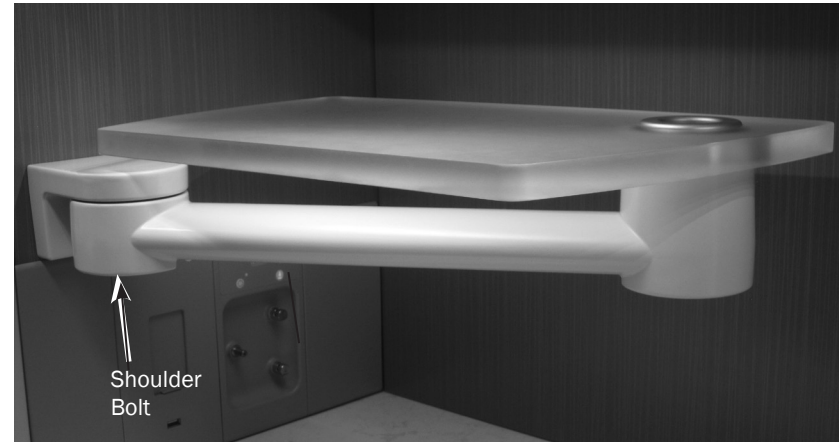
### To adjust the level

1. Loosen the four screws and washers that mount the shelf.
2. Adjust the shelf so that it is level.
3. Tighten the four screws to secure the shelf.



### To adjust the tension on the mount

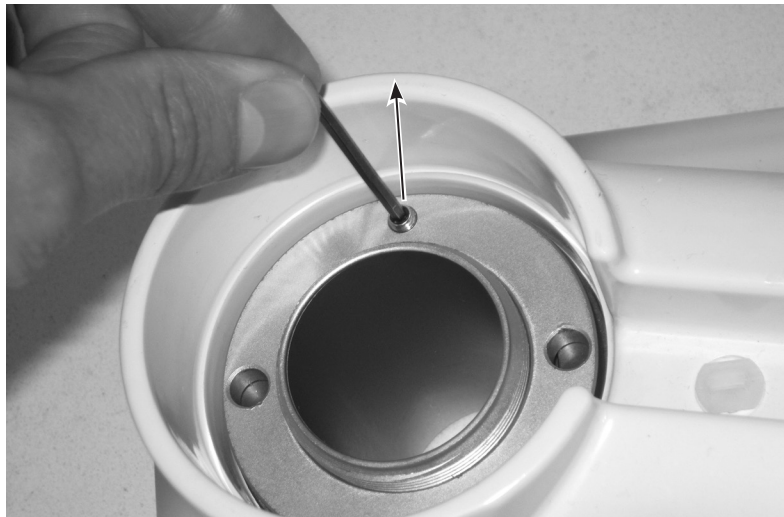
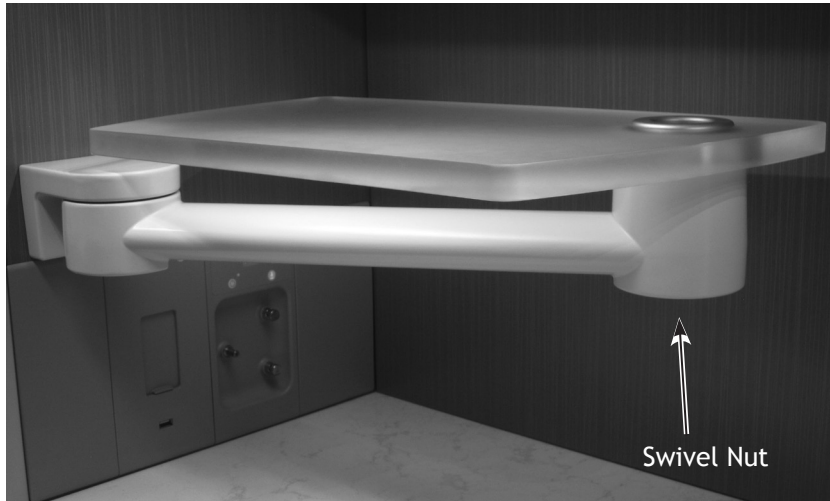
1. Use a 5/16" hex key to tighten or loosen the shoulder bolt.



**CAUTION** Securely tighten the screws to ensure the shelf does not move during use.

## To adjust the tension on the arm hub

1. At the shelf end of the arm, use a 3/32" hex key to loosen the setscrew securing the top swivel nut.



2. Use a 2.5" spanner wrench (p/n 57.0519.00) and a 3/8" ratchet to tighten or loosen the two swivel nuts.



3. Use a 3/32" hex key to tighten the setscrew securing the top swivel nut.



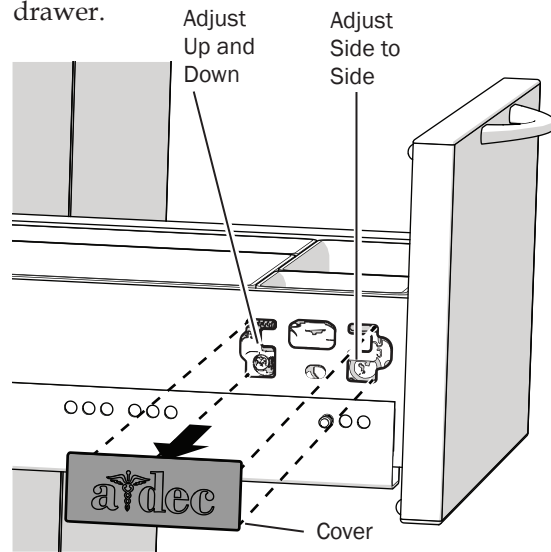


## Adjust Drawer Faces

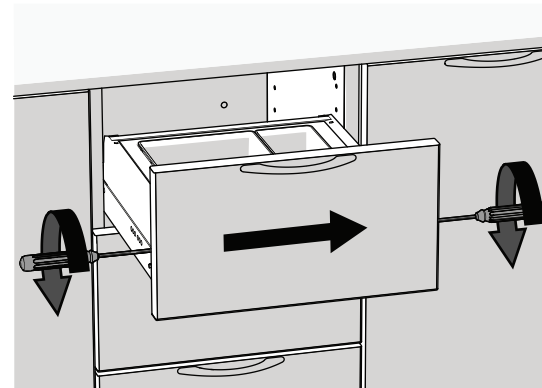


**CAUTION** To avoid damaging the screws, use a #2 Pozidriv® screwdriver to adjust the screws that move the drawer face.

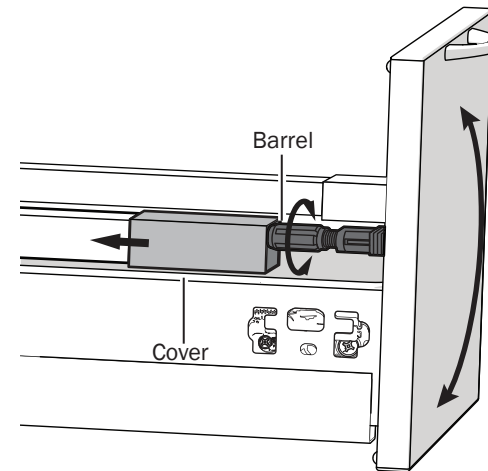
1. Remove the covers on both sides of the drawer.
2. **Up and Down:** On both sides, adjust the screws closest to the back of the drawer.



3. **Side to Side:** On both sides, adjust the screws closest to the face of the drawer. Make sure to move both screws in equal increments. The direction shown moves the drawer face to the right.

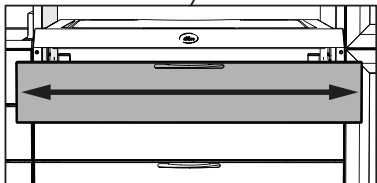
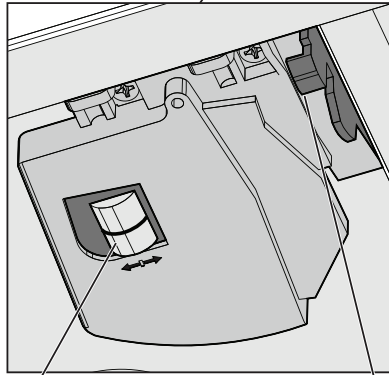
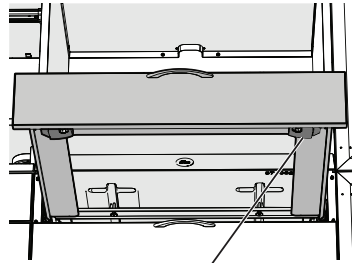


4. **Front to Back Tilt (Gallery Rails Only):** Slide the covers and rotate the barrels.

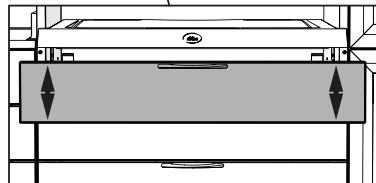


## Adjust Insert Drawer and Storage Pullout Drawer Faces

### Adjust the Drawer Face Up and Down and Side to Side

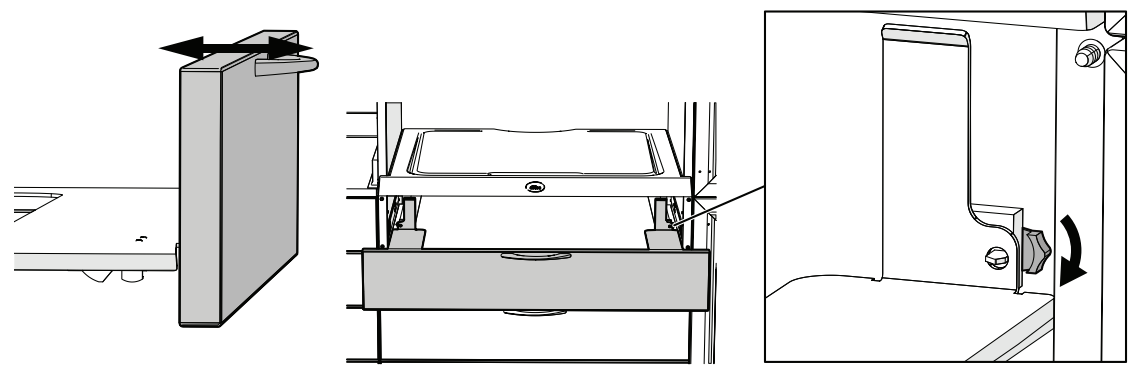


**Side to Side:** Rotate all barrels in the direction you want the drawer face to move.



**Up and Down:** Slide the gray tab on the side to be moved. Slide the tab towards the back of the drawer to raise the drawer face.

### Adjust the Drawer Face Front to Back Tilt



**Front to Back Tilt:** Rotate the tab on the side to be moved. Rotate the tab on the right to tilt the drawer face away from the cabinet.

## 3 Doors

### Contents

Remove/Install Door Hinges.....	11
Deactivate Door Soft-Close Feature .....	11
Adjust Door Position.....	12
Adjust Doors Connected to Servos .....	14

### Remove/Install Door Hinges



**WARNING** Do not attempt to remove the bifold doors on a 592 central console or 595 X-ray insert. The doors are heavy and can cause injury if not properly supported when they are removed.

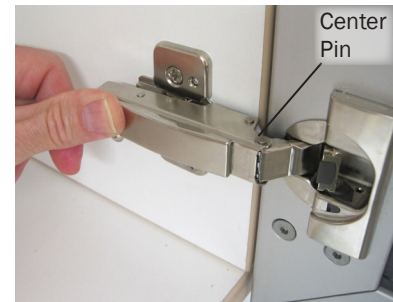
Door hinges include a quick-release tab for removal. Start with the lower hinge and hold on to the door during this procedure.

1. Pull the quick release tab on the end of the hinge.
2. Repeat for the upper hinge and carefully remove the door.



To reinstall the doors, start with the upper hinge:

1. Align the center pin with the front of the hinge plate and snap the hinge in place.
2. Swing the door several times to ensure that the hinge is secure.



### Deactivate Door Soft-Close Feature

To deactivate the soft-close feature, slide the black switch toward the cabinet on all hinges for that door. Once the door is closed, one of the soft close features will be disabled.



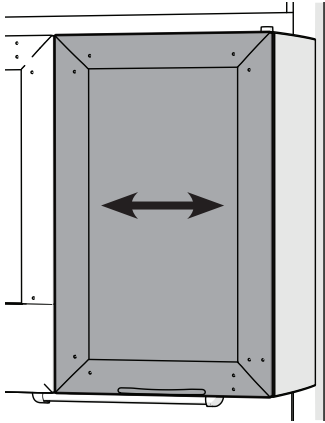
## Adjust Door Position



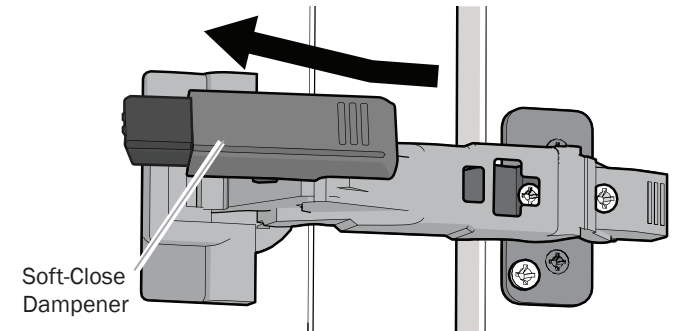
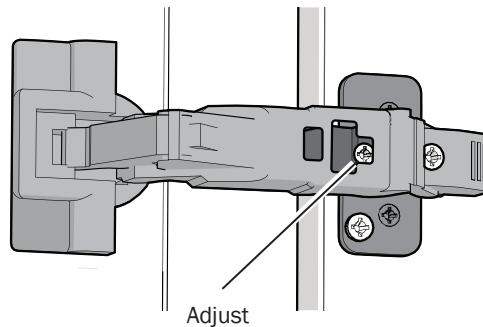
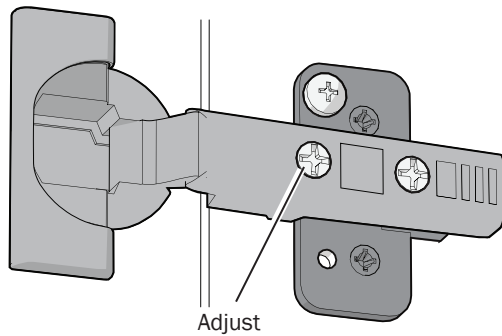
**CAUTION** To avoid damaging the screws, use a #2 Pozidriv® screwdriver to adjust the door hinge screws.

To adjust the door alignment, remove the hinge cover, if present, and follow the guidelines.

### Side to Side



Hinge Cover



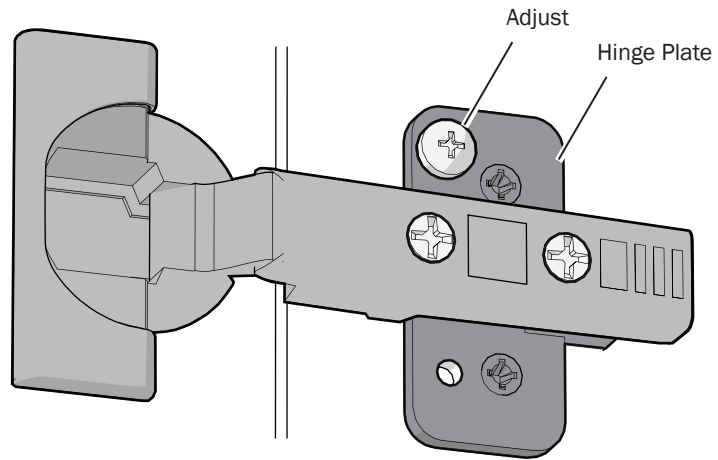
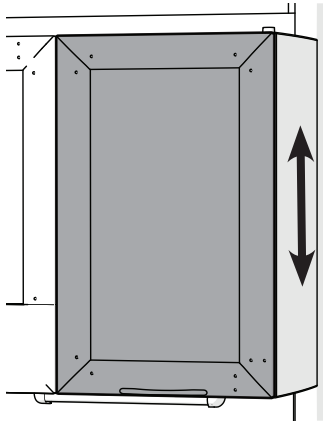
**NOTE** For 155° hinges, close the door slightly for better access to the screws.



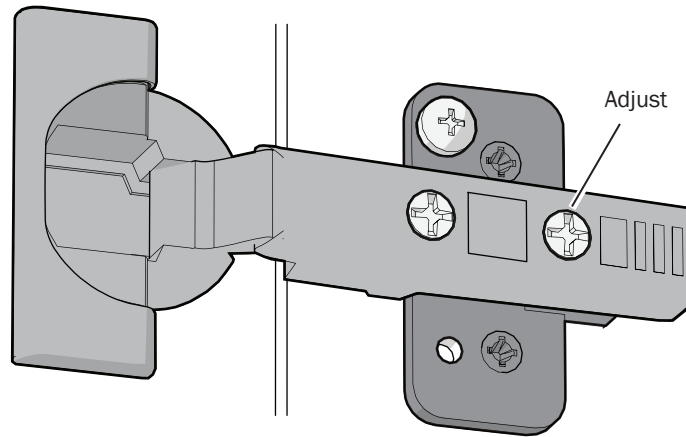
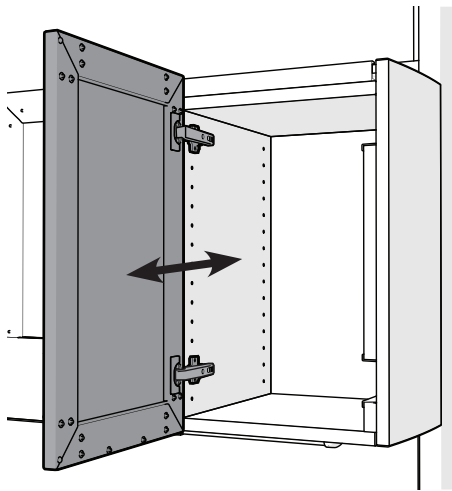
**NOTE** For 155° hinges with soft-close dampeners, remove the dampener to access the screw.



### Up and Down



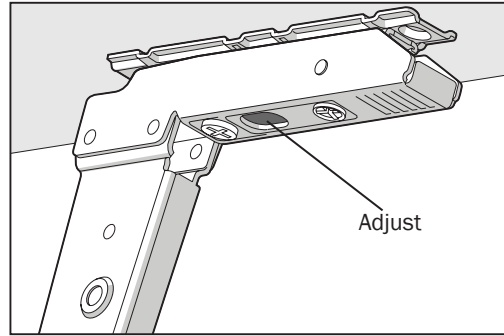
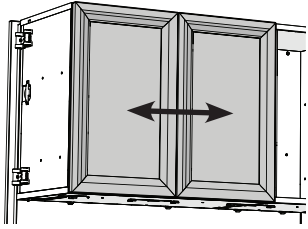
### Back to Front



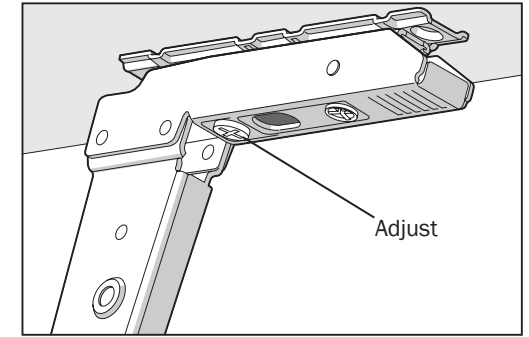
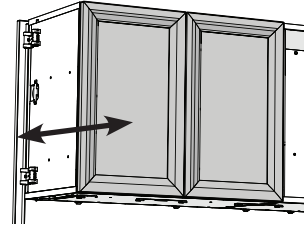
**NOTE** The screw on the hinge plate may be at the top or bottom, depending on the door configuration.

## Adjust Doors Connected to Servos

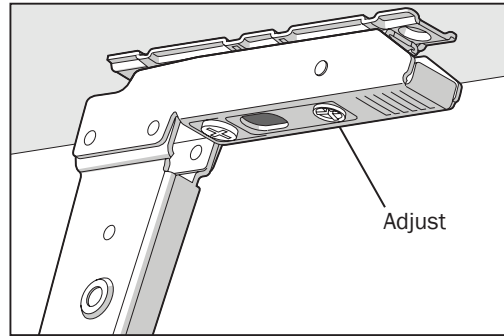
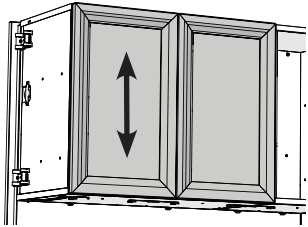
### Side to Side



### Back to Front



### Up and Down



For servicing information, see the documentation that came with the Servos Drive.

## 4 Sinks, Faucets, and Foot Pedal Plumbing

### Contents

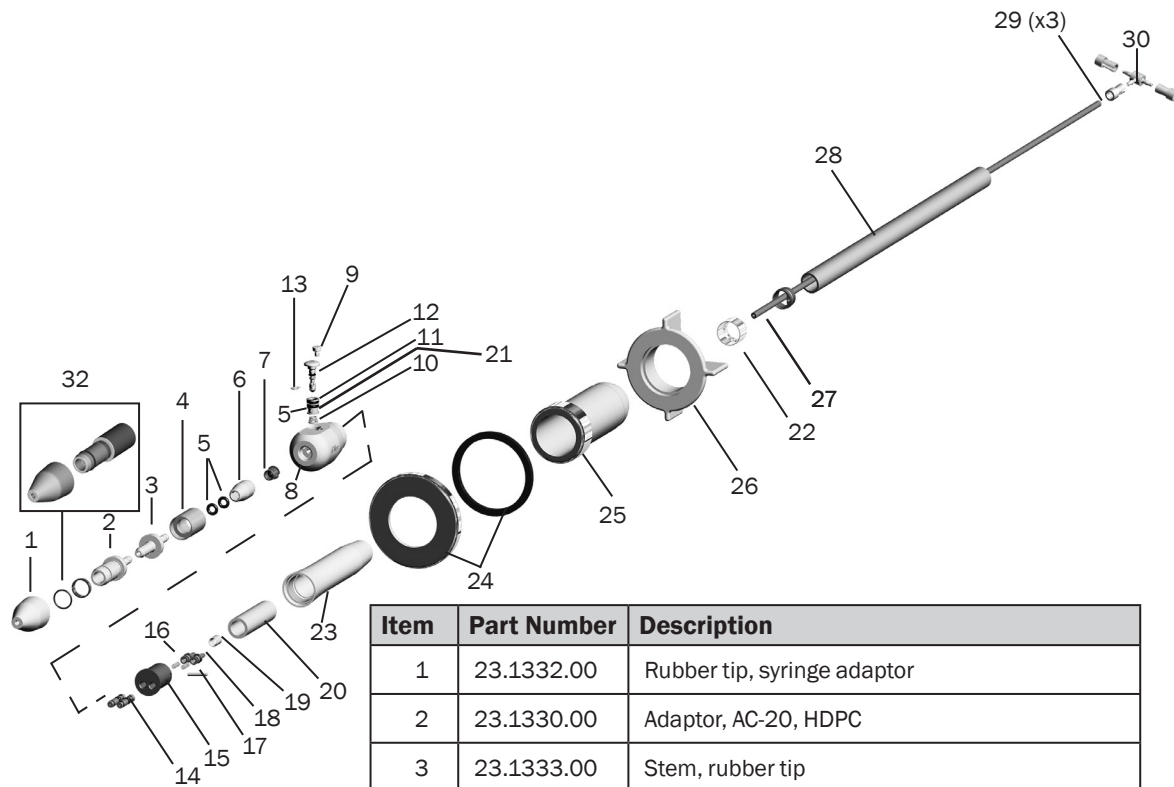
Foot-Activated Faucets Adjustments .....	15
Air Syringe Illustrated Parts Breakdown.....	16
Single Foot Pedal Plumbing Diagram .....	17
Multiple Foot Pedals Plumbing Diagram.....	18
Multiple Foot Pedals Plumbing Diagram.....	19
Foot Pedal (Upper Door) Plumbing Diagram.....	20

### Foot-Activated Faucets Adjustments

To set up the water flow for a foot activated faucet, press the foot pedal and move the faucet handle until the desired temperature and flow rate are achieved. For information on servicing sinks and faucets, see the documentation that came with the unit.



# Air Syringe Illustrated Parts Breakdown

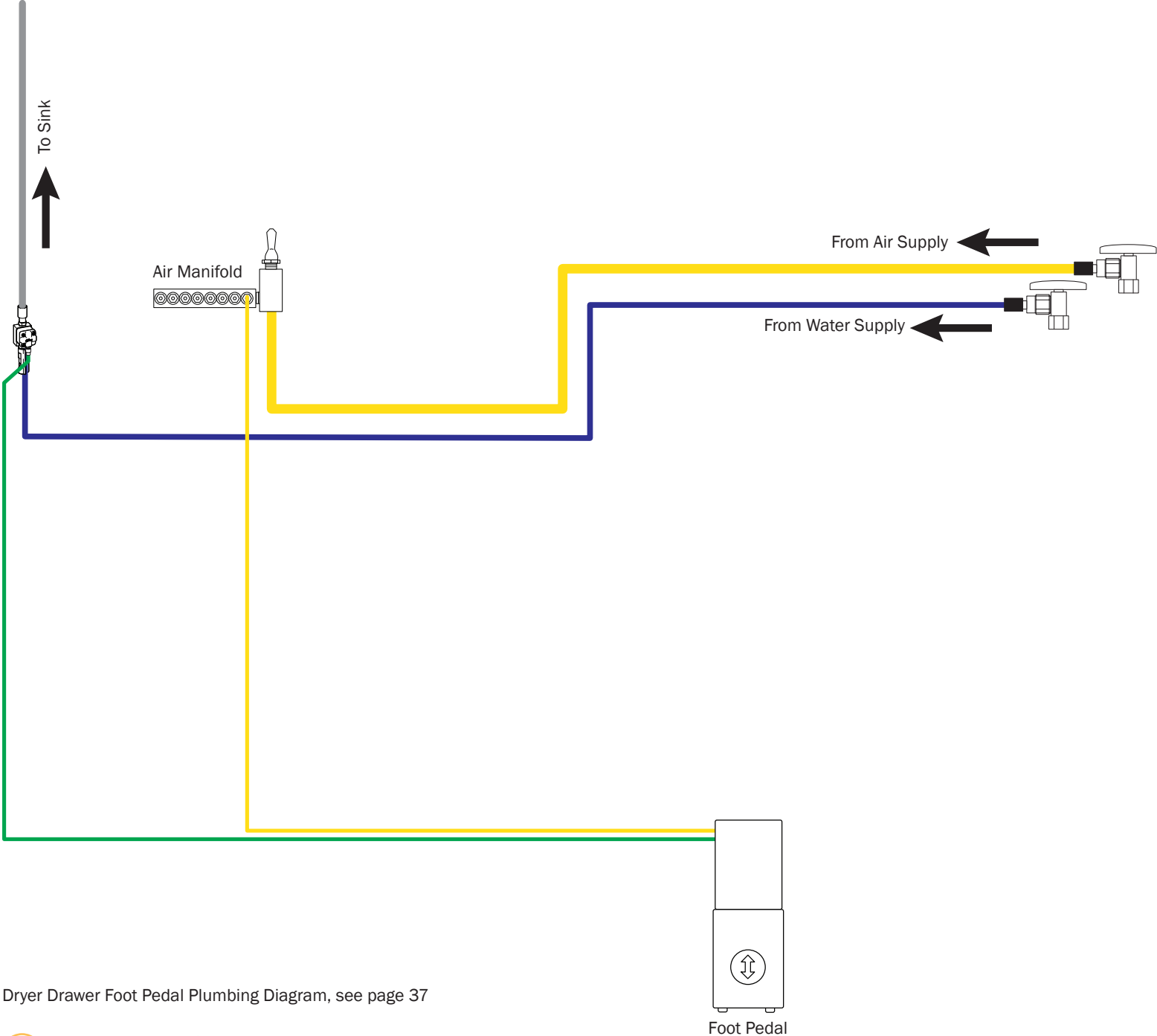


Item	Part Number	Description
1	23.1332.00	Rubber tip, syringe adaptor
2	23.1330.00	Adaptor, AC-20, HDPC
3	23.1333.00	Stem, rubber tip
4	23.1331.00	Shell, syringe adaptor AC
5	035.062.00	O-ring, E 1512 - 70, .114 ID x .070 wall
6	23.1111.01	Nut, syringe, smooth w/O-ring
7	23.1101.01	Spacer, syringe nut, W 034.003.00 O-ring
8	23.1326.00	Syringe head, air only
9	23.1193.00	Screw, 2-56, syringe
10	013.064.00	Spring, compression, .247 OD x .300 free length
11	035.049.00	O-ring, E1257-70, .176 x .040 wall
12	23.1231.00	Stem, valve, syringe button
13	010.019.00	Retaining ring

Item	Part Number	Description
14	23.1064.80	Stem assy, w/O-ring, autoclavable syringe
15	23.1251.00	Terminal, syringe
16	013.003.00	Spring
17	011.038.00	Pin
18	23.1068.00	Terminal assy, barb w/o O-ring
19	025.021.00	Clamp, sleeve, 9/64 ID
20	036.121.00	Tubing, 5/16 ID, urethane, gray
21	23.1230.00	Spool assy, valve, syringe button
22	23.1271.00	Sheath, retainer
23	23.1250.00	Handle, syringe
24	042.734.00	Base, gasket, HVE Hlder, Arctic SST
25	042.735.00	Hlder, HVE, Arctic sst
26	042.638.00	Nut, HVE, Hldr
27	036.003.00	1/8" OD yellow tubing
28	23.1300.00	8.5 mm ID silicone sheath
29	025.007.00	Uni-clamp
30	023.014.00	1/8" Tee
31	23.1253.00	Retainer bushing
32	90.1482.00	Rubber tip syringe adaptor assy - includes 23.1332.00 - butter tip, syringe adaptor / 23.1330.00 - adaptor, AC 20, HDPC / 23.1333.00, stem, rubber tip / 23.1331.00 - shell, syringe adaptor AC
N/A	23.1339.00	Air-only tubing assy with 56" sheath - includes parts below:
		011.038.00 - Pin / 013.003.00 O -spring / 025.021.00 - sleeve clamp / 030.002.00 - O-ring, 042 ID x .050 wall / 036.003.00, 1/8" OD yellow tubing / 23.1068.00 - terminal barb assy / 23.1250.00 - mini syringe handle / 23.1251.00 - syringe terminal / 23.1253.00 - bushing retainer / 23.1271.00 - sheath retainer / 024.260.00 - syringe tubing, 2 x 1/8" / 036.121.00 - 5/16" tubing

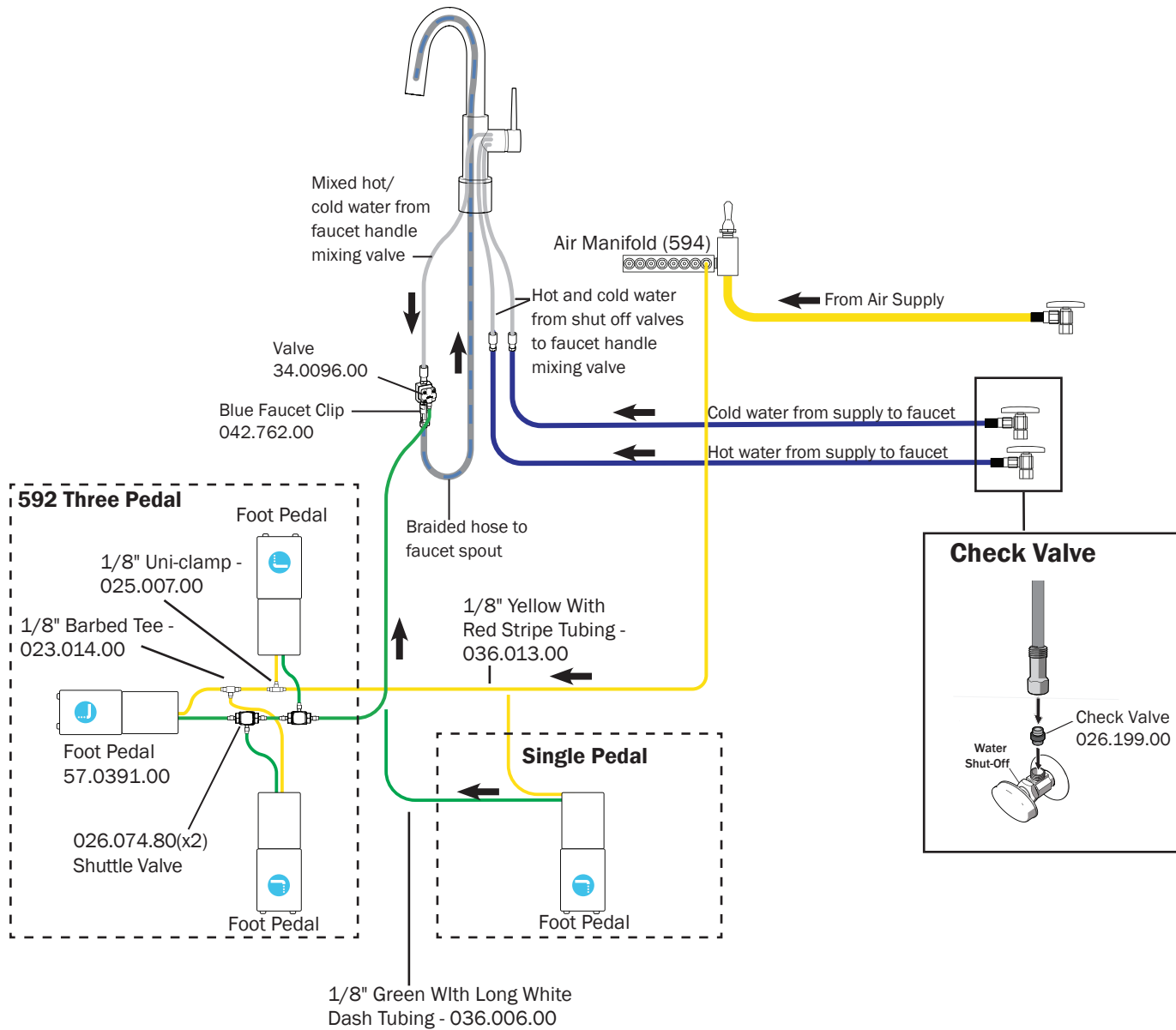


# Single Foot Pedal Plumbing Diagram



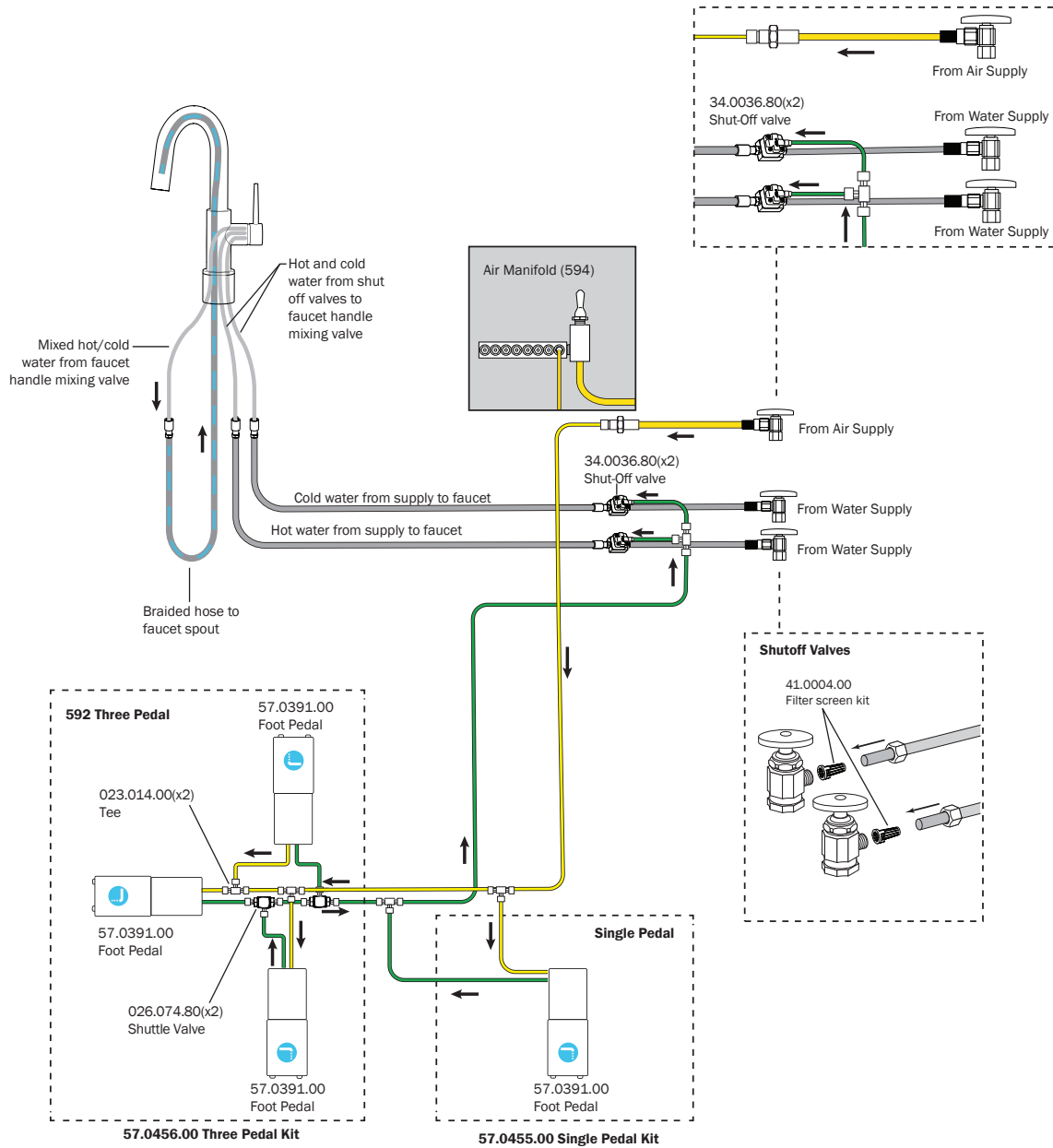
Dryer Drawer Foot Pedal Plumbing Diagram, see page 37

# Multiple Foot Pedals Plumbing Diagram (Before 5/27/2021)



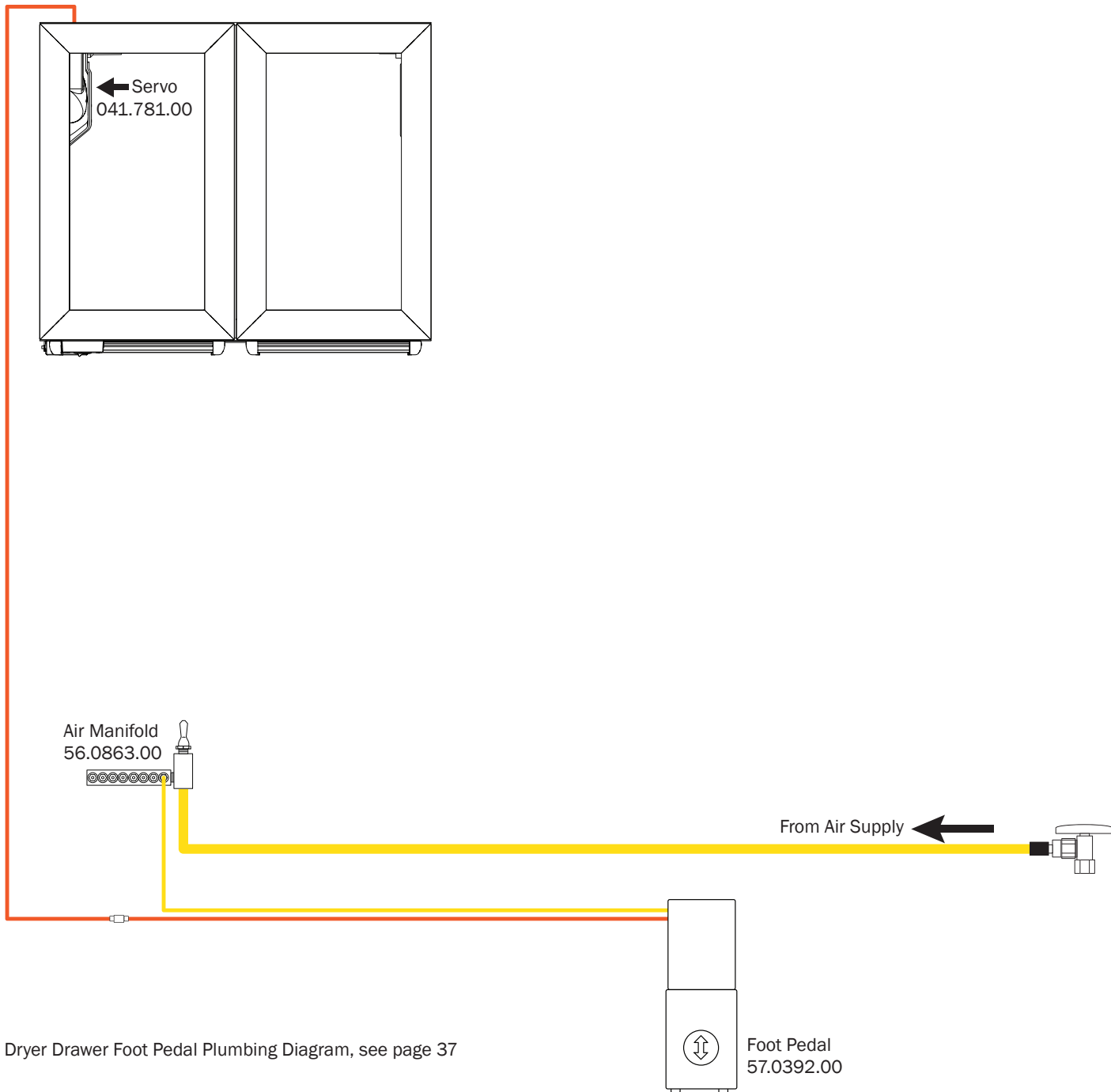
Dryer Drawer Foot Pedal Plumbing Diagram, see page 37

# Multiple Foot Pedals Plumbing Diagram (Effective 5/27/2021)



Dryer Drawer Foot Pedal Plumbing Diagram, see page 37

# Foot Pedal (Upper Door) Plumbing Diagram



Dryer Drawer Foot Pedal Plumbing Diagram, see page 37

## 5 Control Center

### Contents

Access the Power Panel.....	22
Control Center Circuit Board .....	23

### Basic operation of the control center:

- Press on the touchscreen to make selections.
- Press and hold to change settings.
- The screen automatically shuts off at midnight every night to extend the life of the screen. Press the screen to turn it back on.



**NOTE** More information about the touchscreen is available in the *A-dec Inspire Dental Furniture Instructions for Use* (p/n 86.0526.00) and instructional videos available at [www.a-dec.com/InspireSupport](http://www.a-dec.com/InspireSupport) or by clicking the video icon at the top of the page.

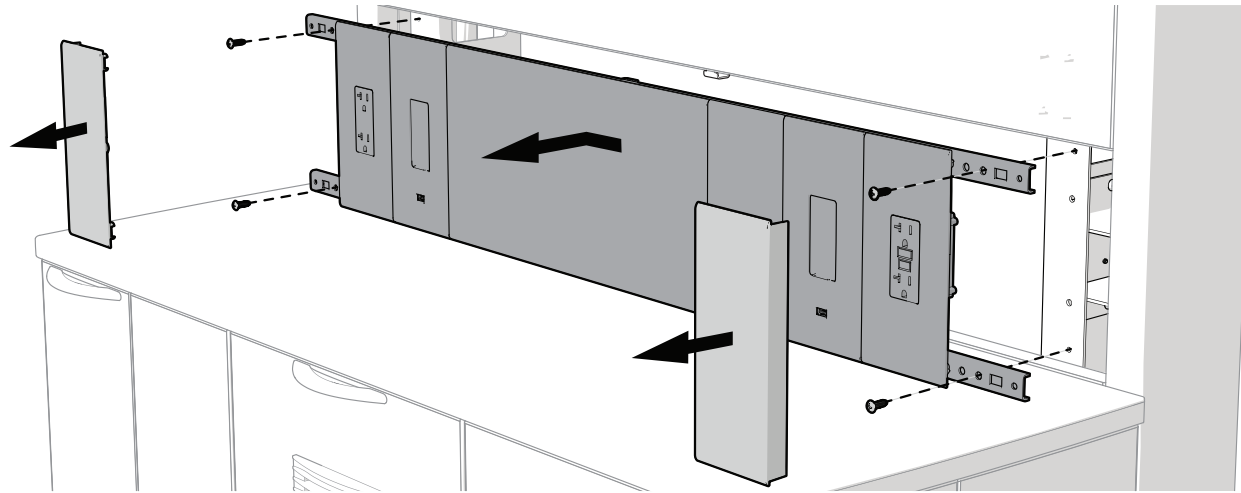
## Access the Power Panel

### Free-Standing Cabinets

With the back panel removed, access the power panel directly from the back.

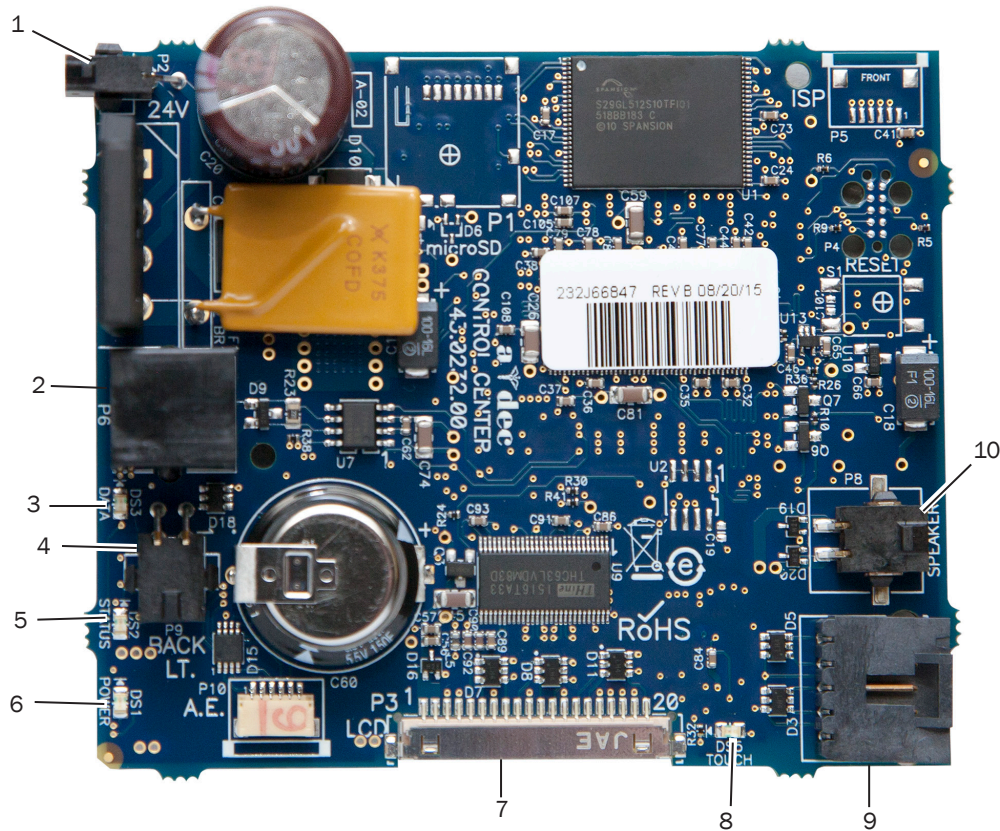
### Against a Wall

If the cabinet is against a wall, separate the power panel from the support column to access the panel's back.



1. Use a small standard screwdriver or similar tool to pry off the end panels.
2. Remove four screws (two on each end) securing the panel to the support column.
3. Slide the power panel to the left and pull it out.

## Control Center Circuit Board



## Circuit Board Components

Item	Description
1	P2 - 24 VDC Power connector
2	P6 - CAN Adaptor Connector
3	DS3 - Data
4	P9 - Back Light Connector
5	DS2 - Status
6	DS1 - Power
7	P3 - LCD Connector
8	DS5 - Touch LED
9	P7 - Touchscreen connector
10	P8 - Speaker connector

LED	Status	Description
DS1 - 24 V Power LED	Off	No 24 V Power, 24 VDC Polarity Reversed, Circuit Breaker Tripped
	Green steady	Normal Operation
DS2 - Status LED	Off	System is not functioning, no power or circuit board has failed
	Green, fast blink	Normal operation of microcontroller
DS3 - Data LED	Off	No DATA bus communication, not connected to the DATA bus, or DATA has failed
	Green, steady	Connected to active DCS
	Green, blinking	Valid DCS message received
DS5 - Touch LED	Off	No touchscreen activity detected
	Green, steady	Touchscreen activity detected



**ATTENTION** Circuit boards are sensitive to static electricity. Electrostatic Discharge (ESD) precautions are required when touching a circuit board or making connections to or from the circuit board. Circuit boards should be installed only by an electrician or qualified service person.

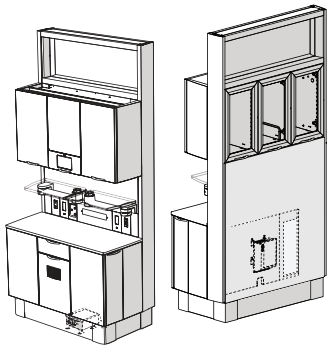
## 6 Distribution Box and Wiring Diagrams (591, 592, 593)

### Contents

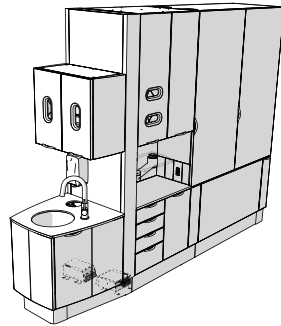
Distribution Box Locations .....	24
Access the Distribution Box .....	24
Distribution Box Wiring and Data Line Connections .....	25
Auxiliary Relay Options .....	26
Task Light Wiring.....	27
Distribution Box Circuit Board Components .....	28
Connect and Secure the Distribution Box.....	29
Wiring Diagram (591, 592, 593) .....	30

### Distribution Box Locations

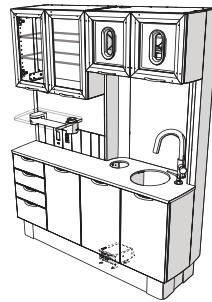
- 591: Inside the cabinet on the support column or anchored to the floor.
- 592: Two distribution boxes, one for each side of the cabinet's connections. Inside the cabinet, anchored to the floor, one on each side of the mid lower.
- 593: Inside the support column or anchored to the floor.



591 Optional Location (591 Shown)



592



593

### Access the Distribution Box

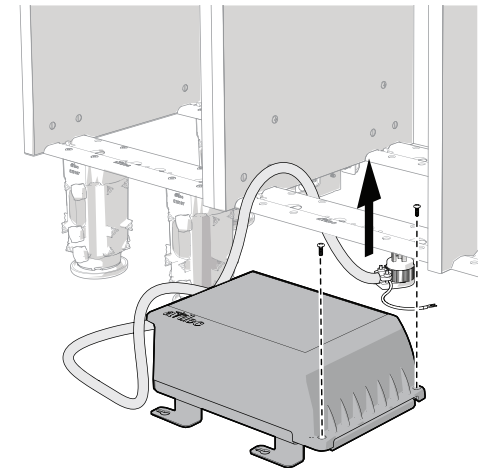
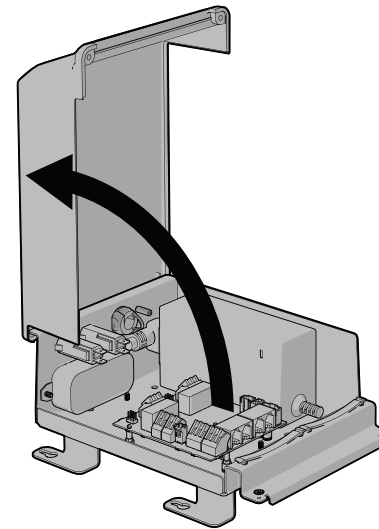


**WARNING** Failure to turn off the power before you begin this procedure can lead to product damage and result in serious injury or death.

1. Remove the doors and false bottoms or drawers.
2. Unplug the distribution box.
3. Lift out the distribution box.
4. Use a Phillips head screwdriver to loosen the two screws securing the lid.
5. Remove the cover.

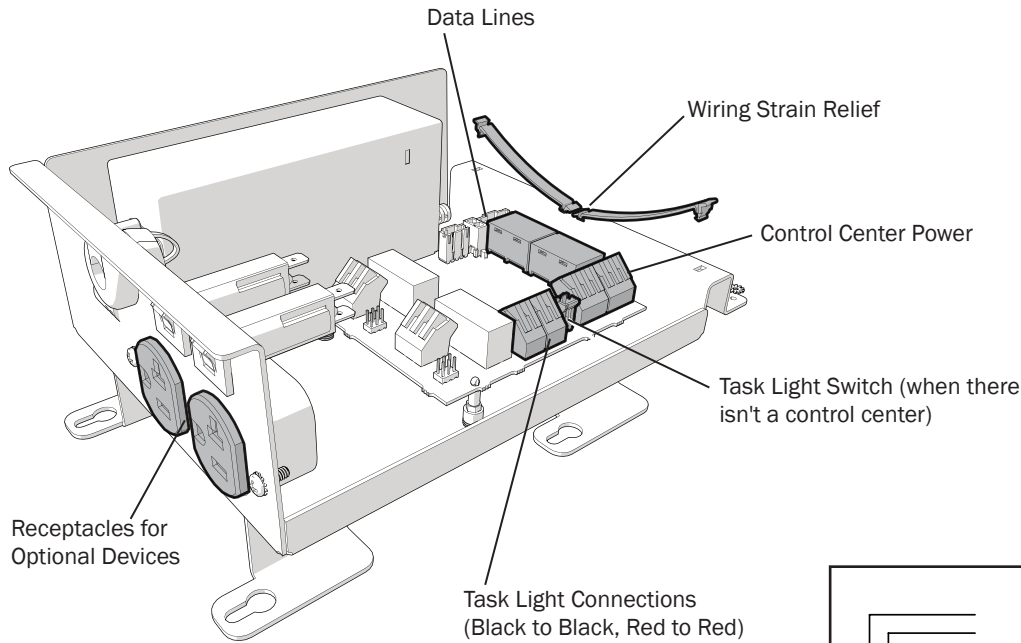


**CAUTION** When removing or replacing covers, take care not to damage any wiring or tubing. Verify that the covers are secure after replacing them.





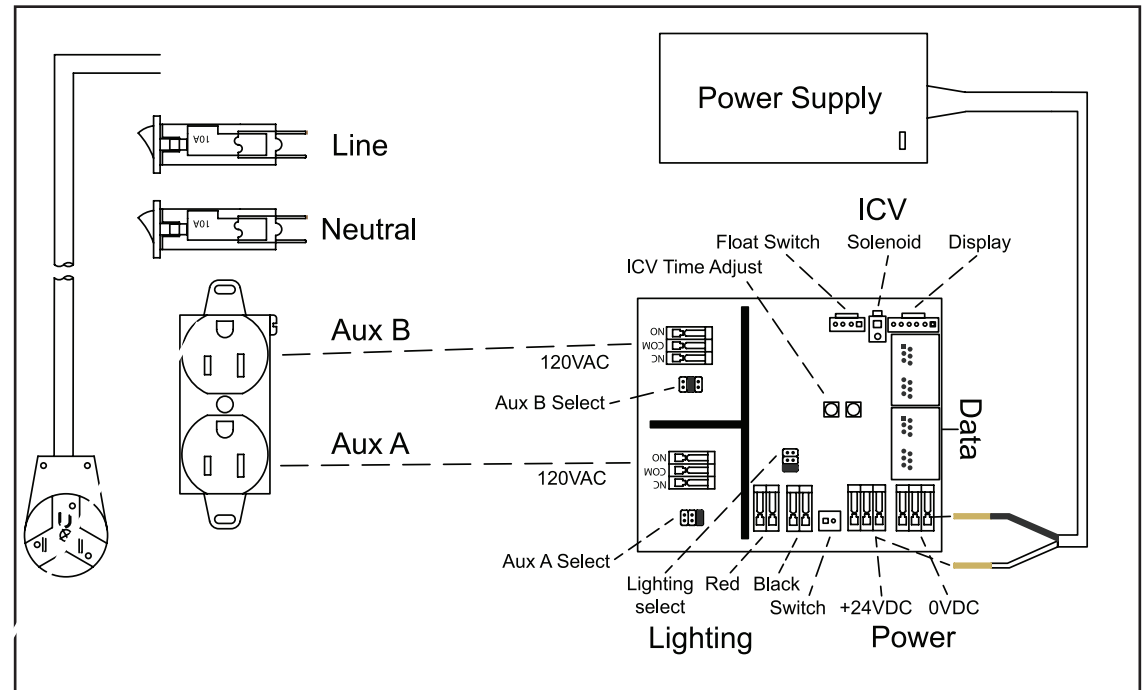
# Distribution Box Wiring and Data Line Connections



**ATTENTION** Circuit boards are sensitive to static electricity. Electrostatic Discharge (ESD) precautions are required when touching a circuit board or making connections to or from the circuit board. Circuit boards should be installed only by an electrician or qualified service person.



**CAUTION** The distribution box plugs into the quad box. A licensed electrician or other qualified personnel is required to connect the quad box per local codes and regulations.



## Auxiliary Relay Options

Auxiliary relays are used to turn on/off devices plugged into the distribution box. They are operated from the control center and touchpads.

Jumpers specify which button on the control center and touchpad operates the power for that relay.

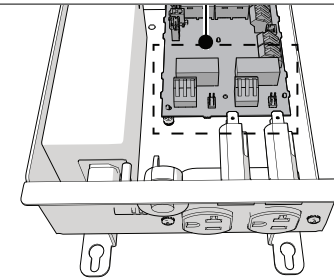
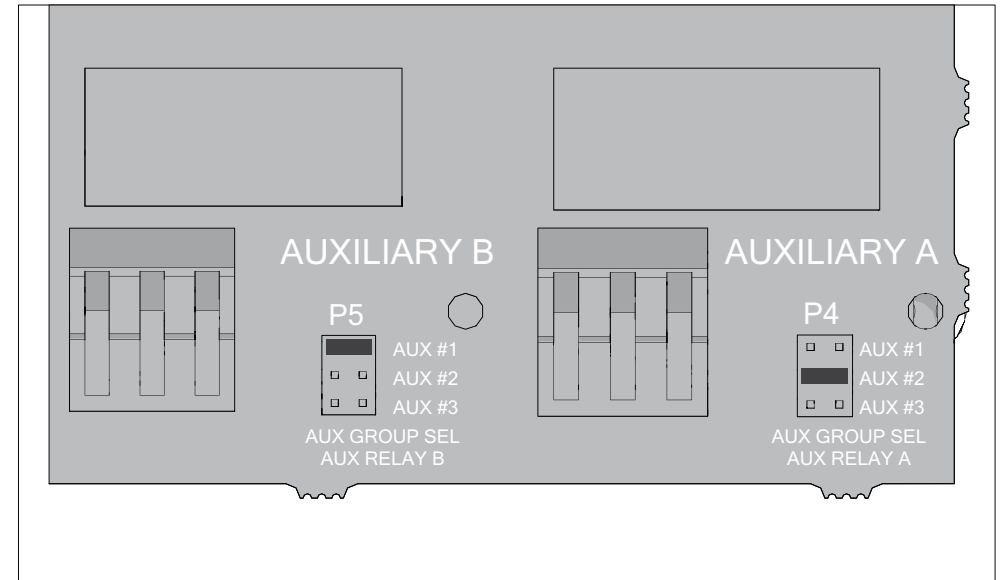
For each relay, position the jumper in one of the three numbered Aux positions.

If more than one relay in the same system is set to the same numbered Aux position, then they all turn on and off at the same time from the control center or touchpad.



**NOTE** If the system does not include a control center, do not set the jumper to Aux #3. It cannot be activated without a control center.

If a system without a cuspidor includes an A-dec 300 Deluxe touchpad or an A-dec 300/500 Standard touchpad, the bowl rinse button controls Aux # 1 and the cupfill button controls Aux #2.

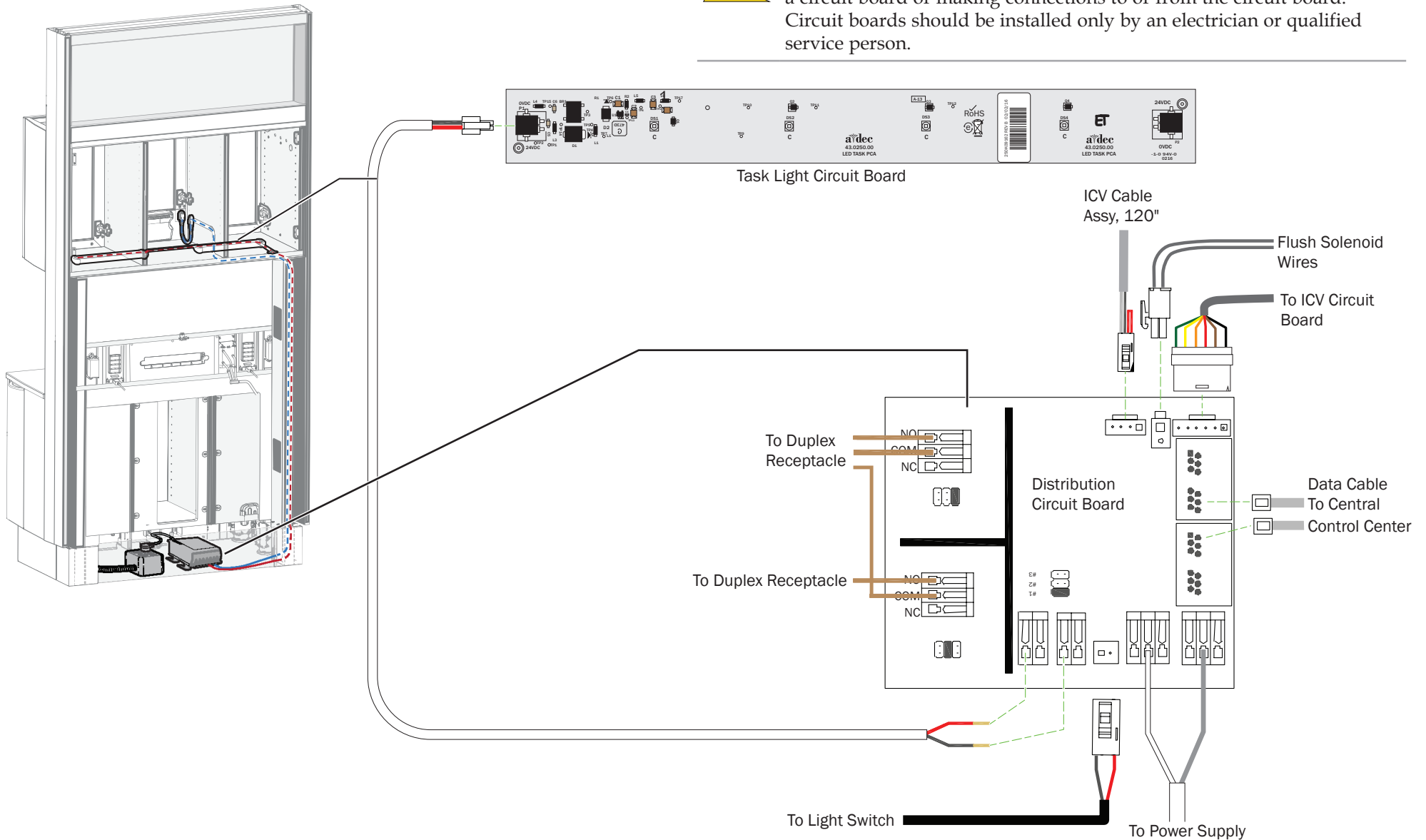


## Task Light Wiring

Some cabinets include a rocker switch to control the task lights. Depending on the installation, multiple switches can be used to control task lighting within the treatment room. This works the same way when combined in the control center; lights can be turned on or off by using the touchscreen or the rocker switch. (If a control center is present on the cabinet, a light switch will not be present.)



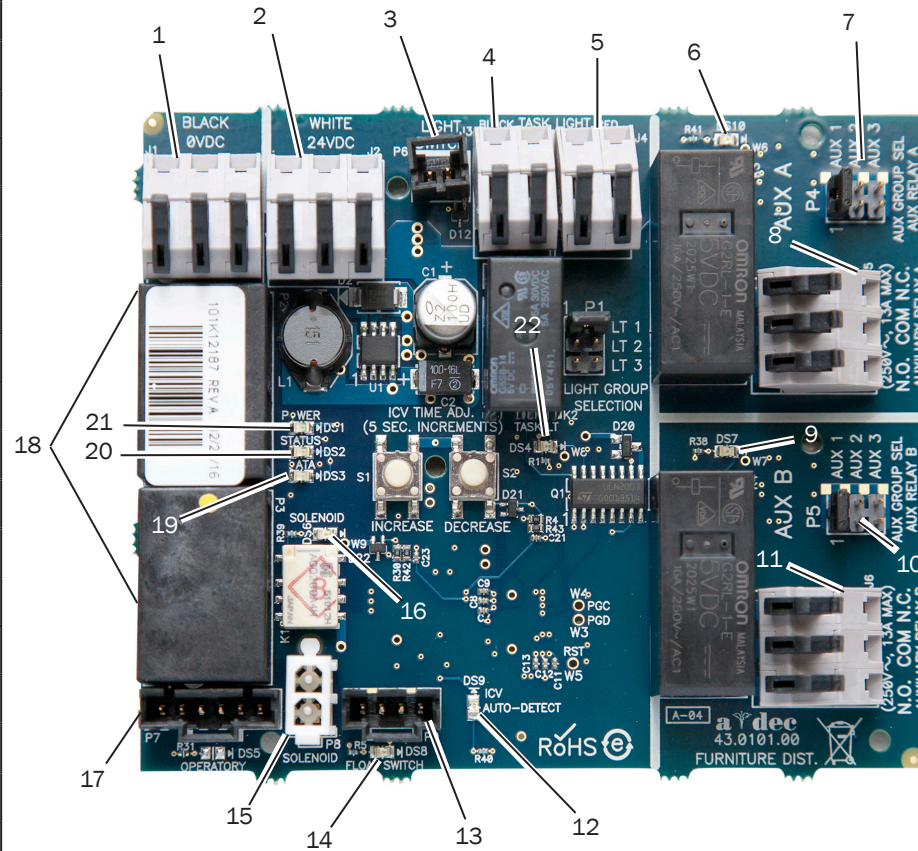
**ATTENTION** Circuit boards are sensitive to static electricity. Electrostatic Discharge (ESD) precautions are required when touching a circuit board or making connections to or from the circuit board. Circuit boards should be installed only by an electrician or qualified service person.



# Distribution Box Circuit Board Components

## Circuit Board Components

Item	Description
1	J1 - 0 VDC
2	J2 - 24 VDC
3	P6 - Task Light Switch
4	J3 - Task Light Power (Black)
5	J4 - Task Light Power (Red)
6	DS10 - Aux A Relay LED
7	P4 - AUX Group Select A
8	J5 AUX A output
9	DS7 - AUX B Relay LED
10	P5 - AUX Group B
11	N.O. COM N.C. (Auxiliary Relay B)
12	DS9 - ICV Detect LED
13	P9 - Float switch
14	DS8 - ICV Low water LED
15	P8 - ICV Solenoid
16	DS6 - ICV Solenoid
17	P7 ICV display connector
18	DCS - Terminals
19	DS3 - Data LED
20	DS2 - Status LED
21	DS1 - Power LED
22	DS4 - Task Light LED



**ATTENTION** Circuit boards are sensitive to static electricity. Electrostatic Discharge (ESD) precautions are required when touching a circuit board or making connections to or from the circuit board. Circuit boards should be installed only by an electrician or qualified service person.

LED	Status	Description
DS1 – 24 V Power LED	Off	No 24 V Power, Circuit Breaker Tripped
	Green steady	Normal Operation
DS2 – Status LED	Off	System is not functioning, no power or circuit board has failed
	Green, fast blink	Normal operation of microcontroller
DS3 – Data LED	Off	No DATA bus communication, not connected to the DATA bus, or DATA has failed
	Green, steady	Connected to active DCS
	Green, blinking	Valid DCS message received
DS4 – Task Light Control LED	Off	Task lights (Relay) OFF
	Yellow, steady	Task lights (Relay) ON
DS6 – ICV Solenoid	Off	ICV solenoid (Relay) OFF
	Yellow, steady	ICV solenoid (Relay) ON
DS7 – Aux B Relay LED	Off	Aux B (Relay) is OFF
	Yellow, steady	Aux B (Relay) is ON
DS8 – ICV Low Water LED	Off	ICV water level normal
	Red, steady	ICV water level low (only when an ICV is detected)
DS9 – ICV Detect LED	Off	ICV NOT detected on DATA network
	Yellow, steady	ICV detected on DATA network
DS10 – Aux A Relay LED	Off	Aux A (Relay) is OFF
	Yellow, steady	Aux A (Relay) is ON

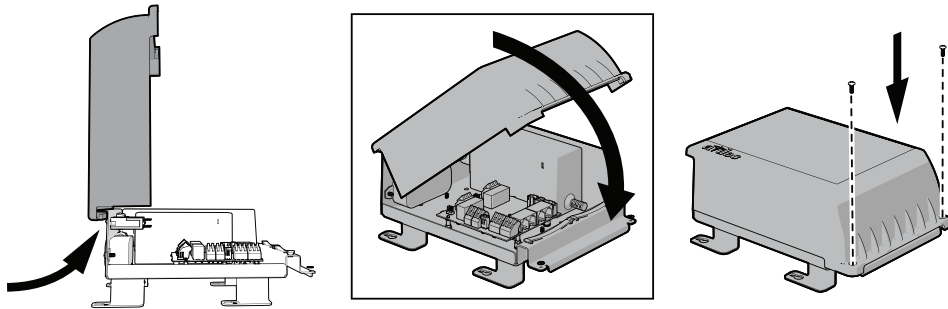


## Connect and Secure the Distribution Box

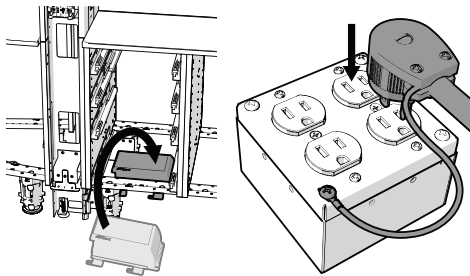
1. Position the cover at 90° to the distribution box and hook its end on the box frame.
2. Rotate the cover down and use a Phillips head screwdriver to secure it to the box frame.



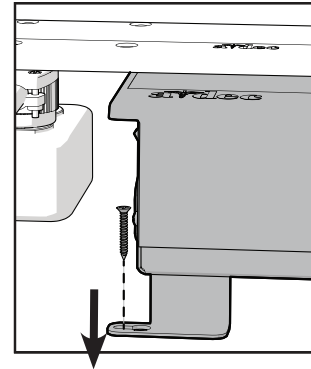
**CAUTION** The distribution box plugs into the quad box. A licensed electrician or other qualified personnel is required to connect the quad box per local codes and regulations.



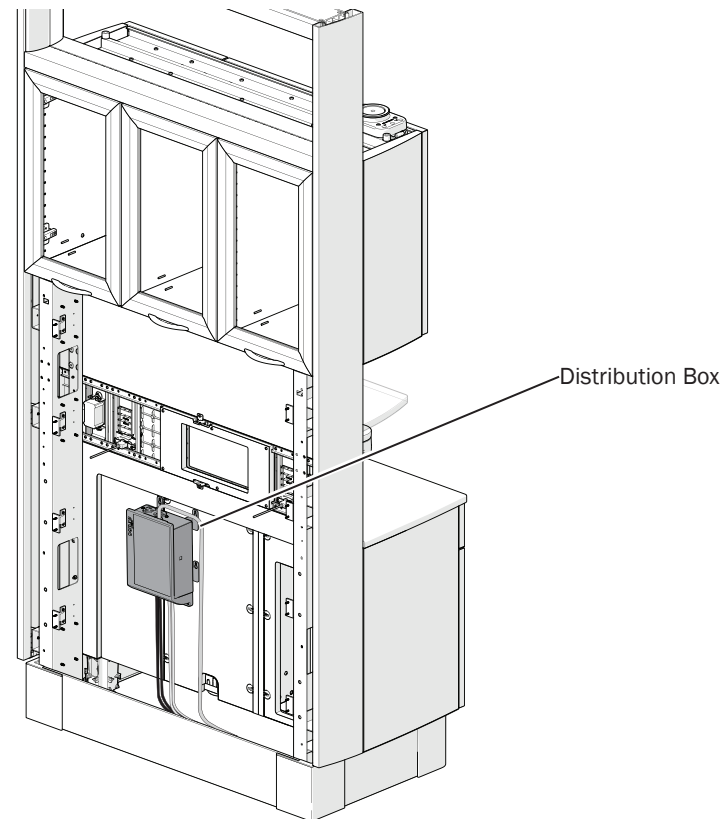
3. Place the distribution box inside the cabinet.
4. Use a Phillips Head screwdriver to secure the green ground wire to the cover of the quad box.
5. Plug the distribution box into the quad box.



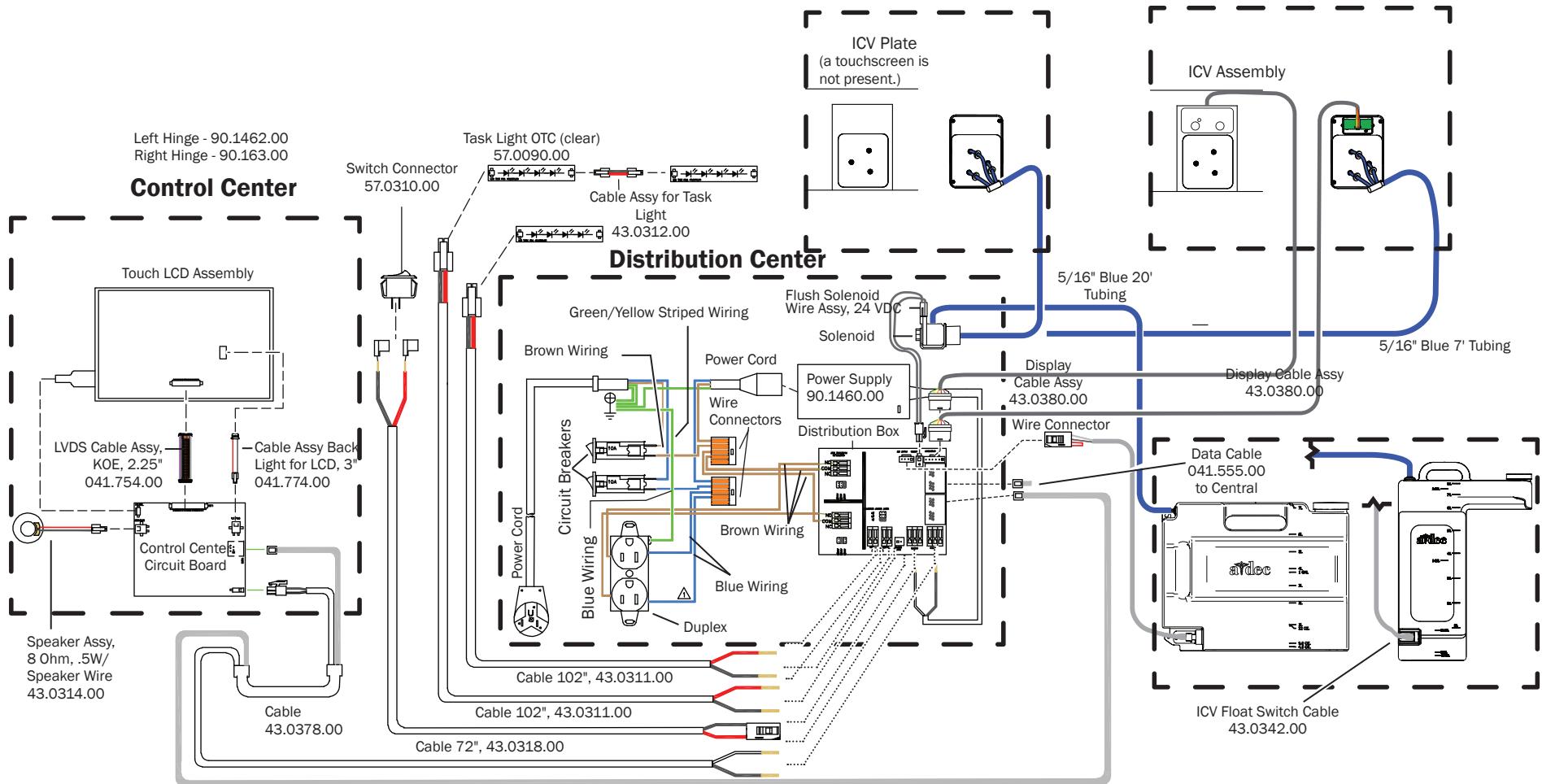
6. Under the cabinet, use one fastener to anchor the distribution box to the floor.



**NOTE** To accommodate utilities and routing, the distribution box may also be anchored inside the cabinet on the support column (as shown below).



# Wiring Diagram (591, 592, 593)



**NOTE** The 592 may have two distribution boxes that control devices on both sides of the cabinet.

## 7 Power Box and Wiring Diagram (594)

### Contents

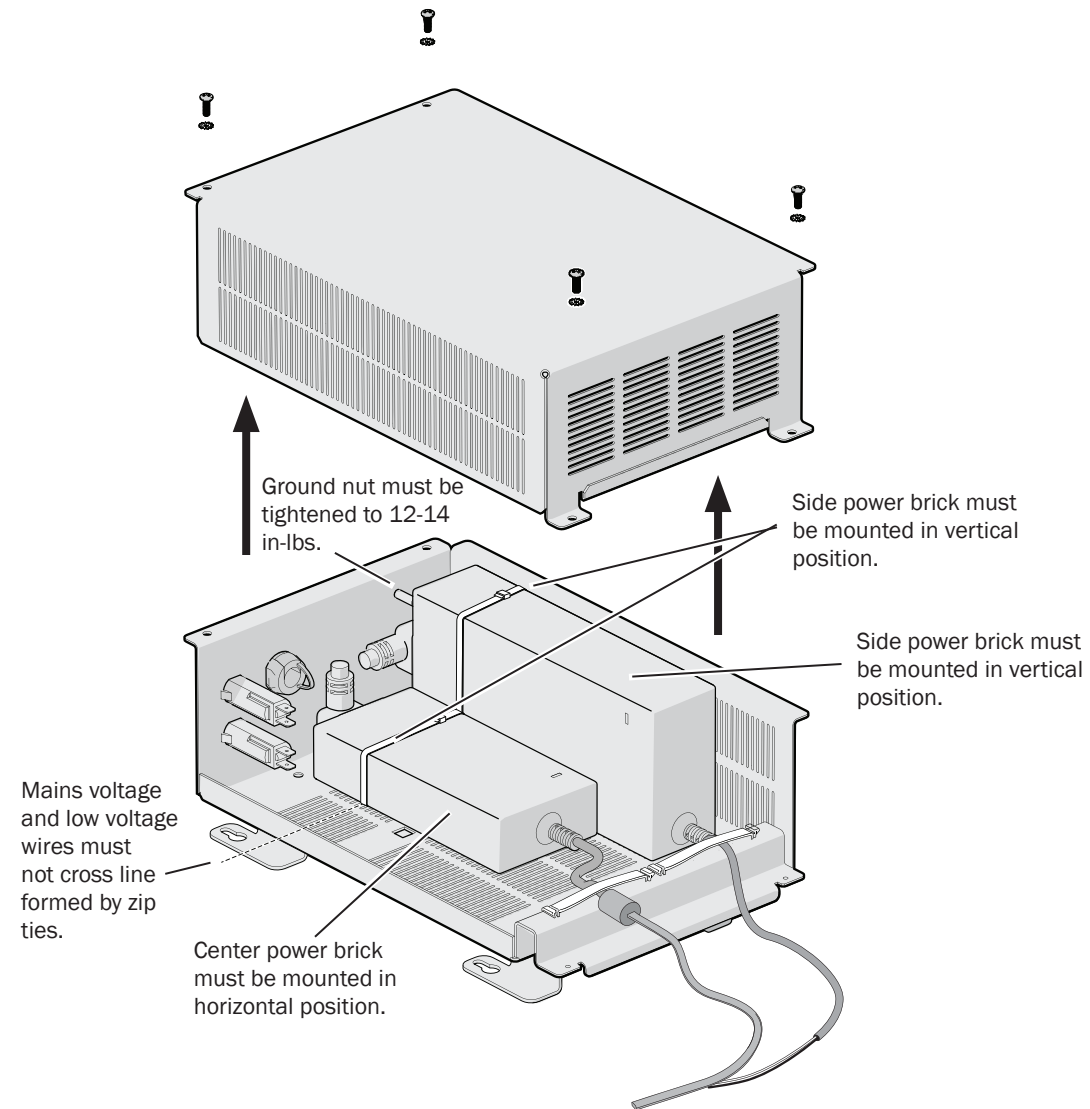
Access the Power Box .....	31
Wiring Diagram (594) - (Effective February 2019) .....	32
Wiring Diagram (594) - (Before February 2019) .....	33

### Access the Power Box

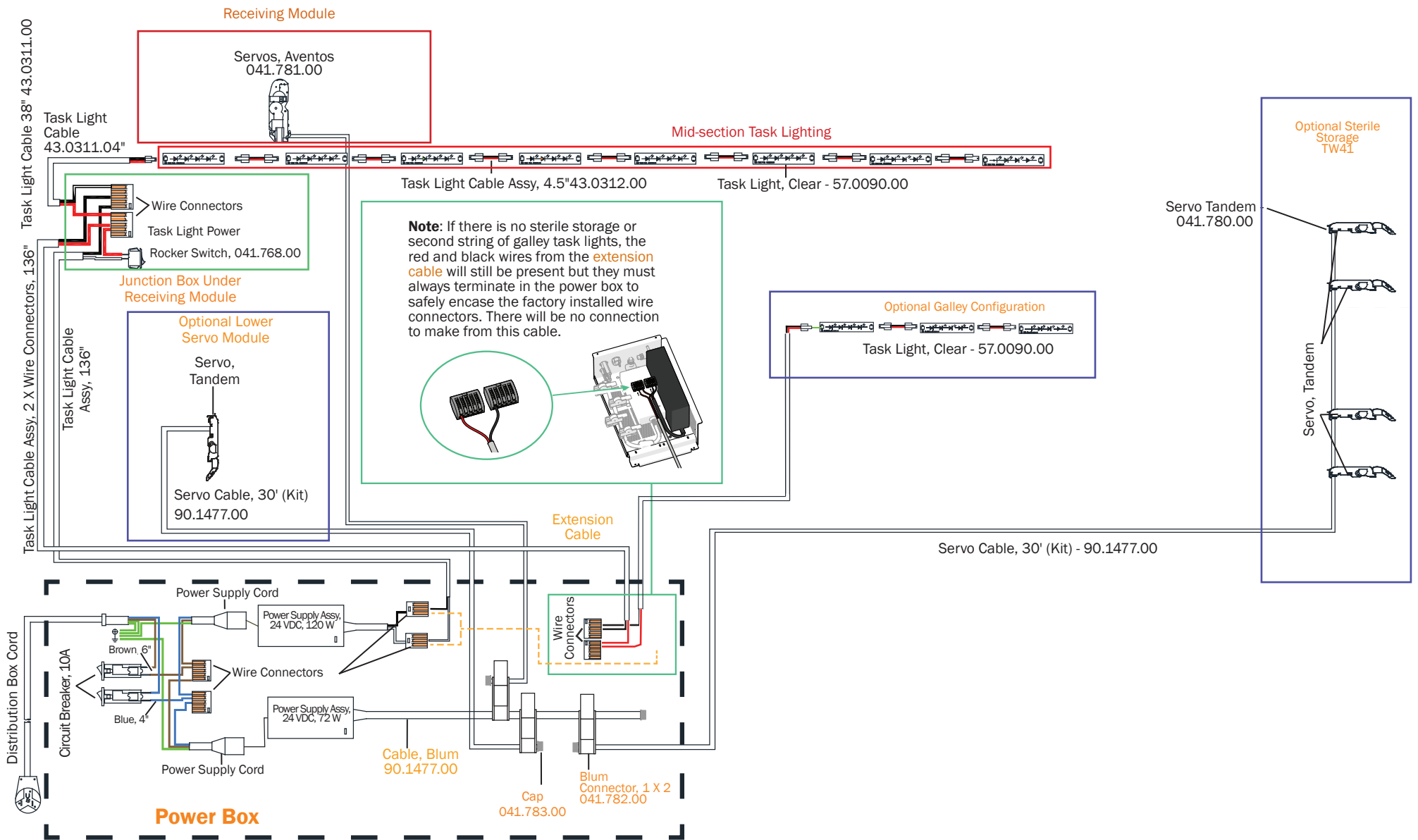
1. Remove the four screws securing the lid.
2. Remove the cover.



**NOTE** Follow the guidelines specified in the image below when reinstalling the cover.

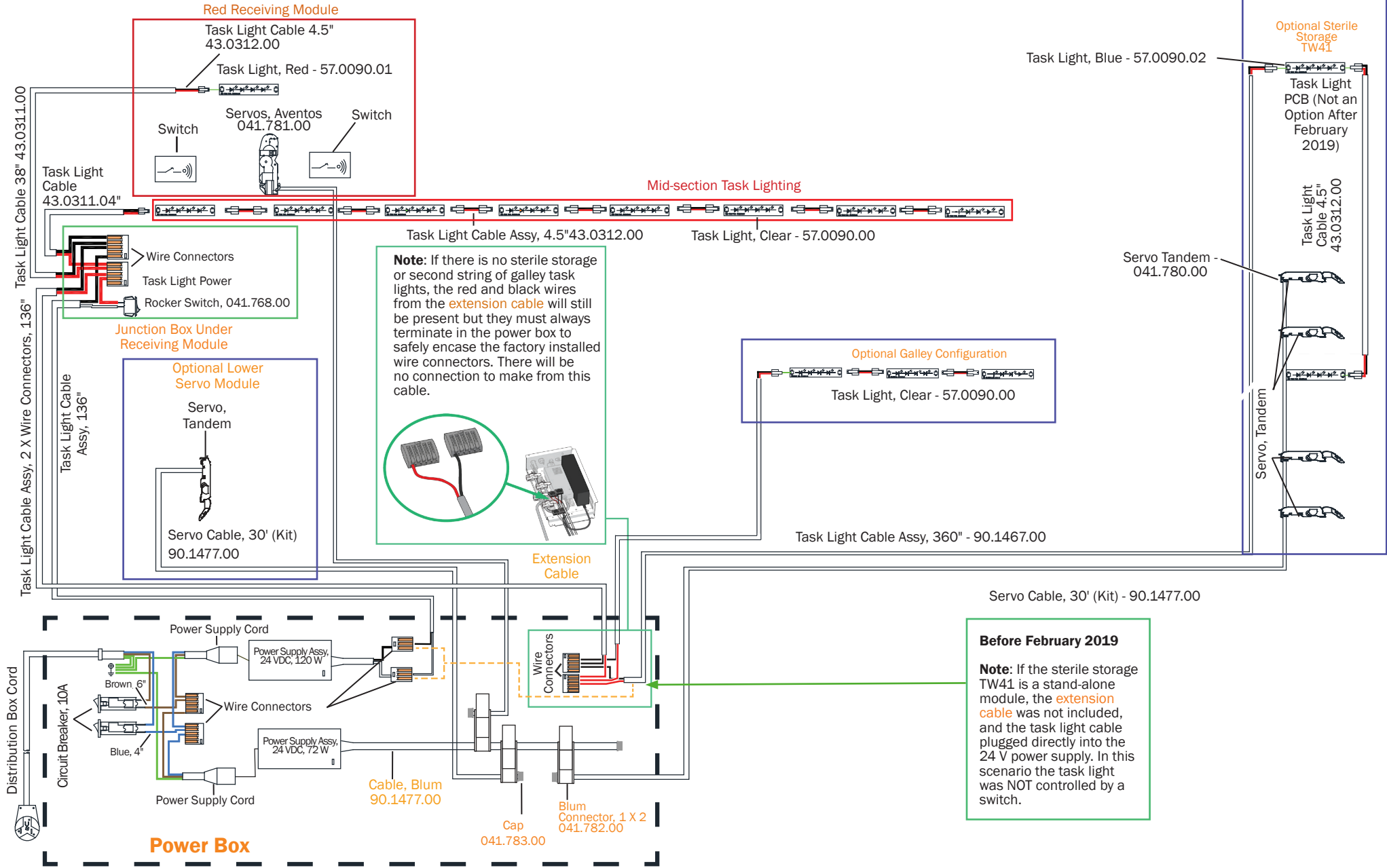


# Wiring Diagram (594) - (Effective February 2019)





# Wiring Diagram (594) - (Before February 2019)



## 8 Instrument Dryer

### Contents

Dryer Operation.....	34
Dryer Control Circuit Board Components .....	35
Dryer Wiring Diagram .....	36
Dryer Drawer Foot Pedal Plumbing Diagram.....	37

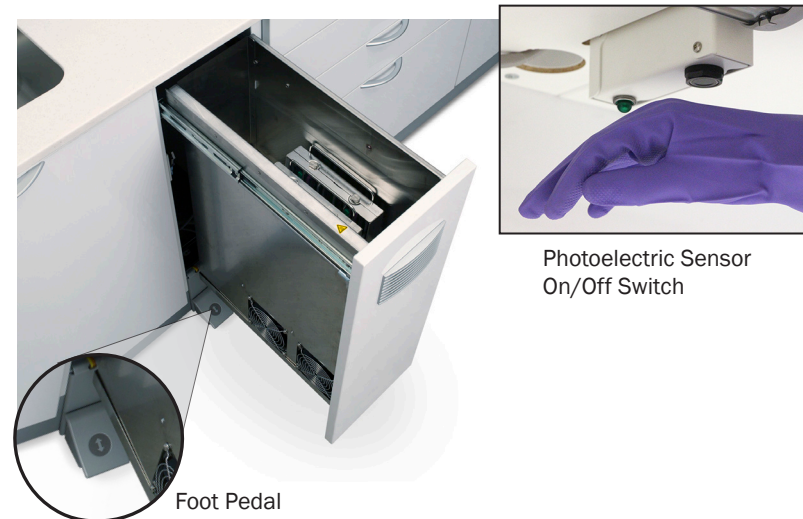
### Dryer Operation

Press the instrument dryer foot pedal to open or close the dryer. To start the dryer, wave your hand under the photoelectric sensor located on the upper cabinet. The green light blinks while the dryer is running. When the drying cycle ends, the green light turns solid.

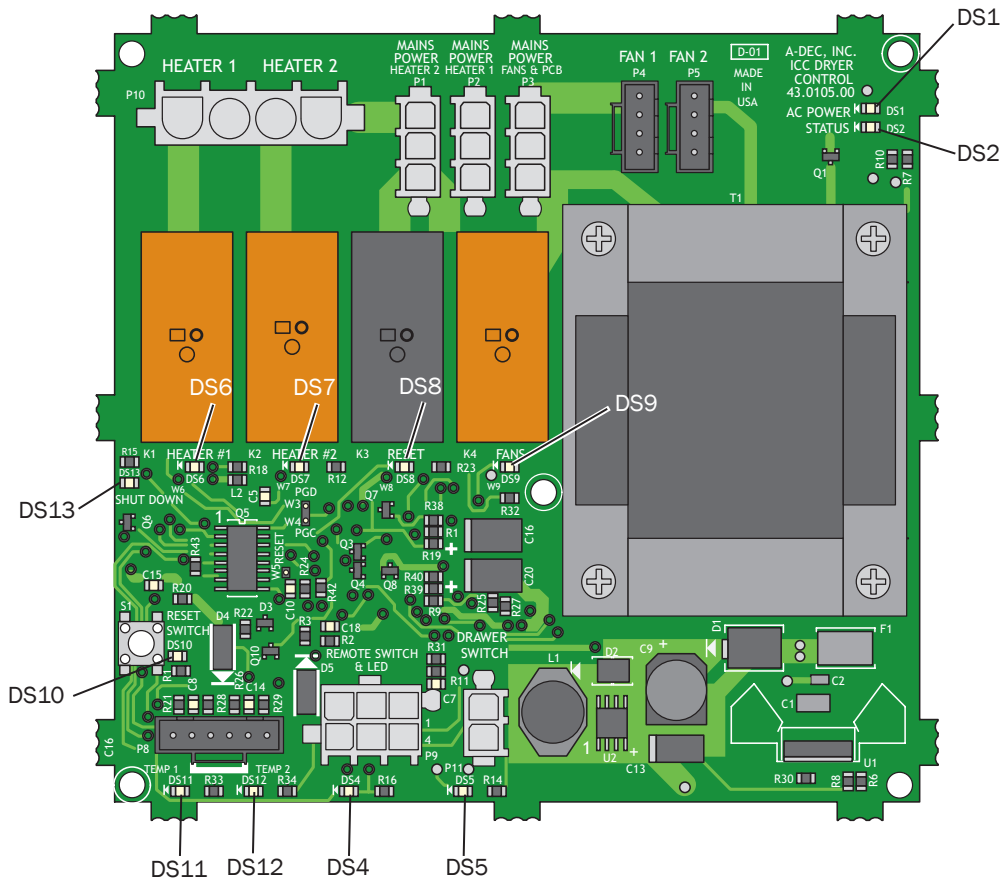
If you open the door during the drying cycle, the dryer will stop and the green light will turn off. Close the door to reset the cycle. The cycle runs for about 14 minutes.



**WARNING** The contents and surrounding metal surfaces will be hot when the drying cycle ends or is interrupted. Wait for the dryer to cool completely before removing any items.



# Dryer Control Circuit Board Components



## Circuit Board Components

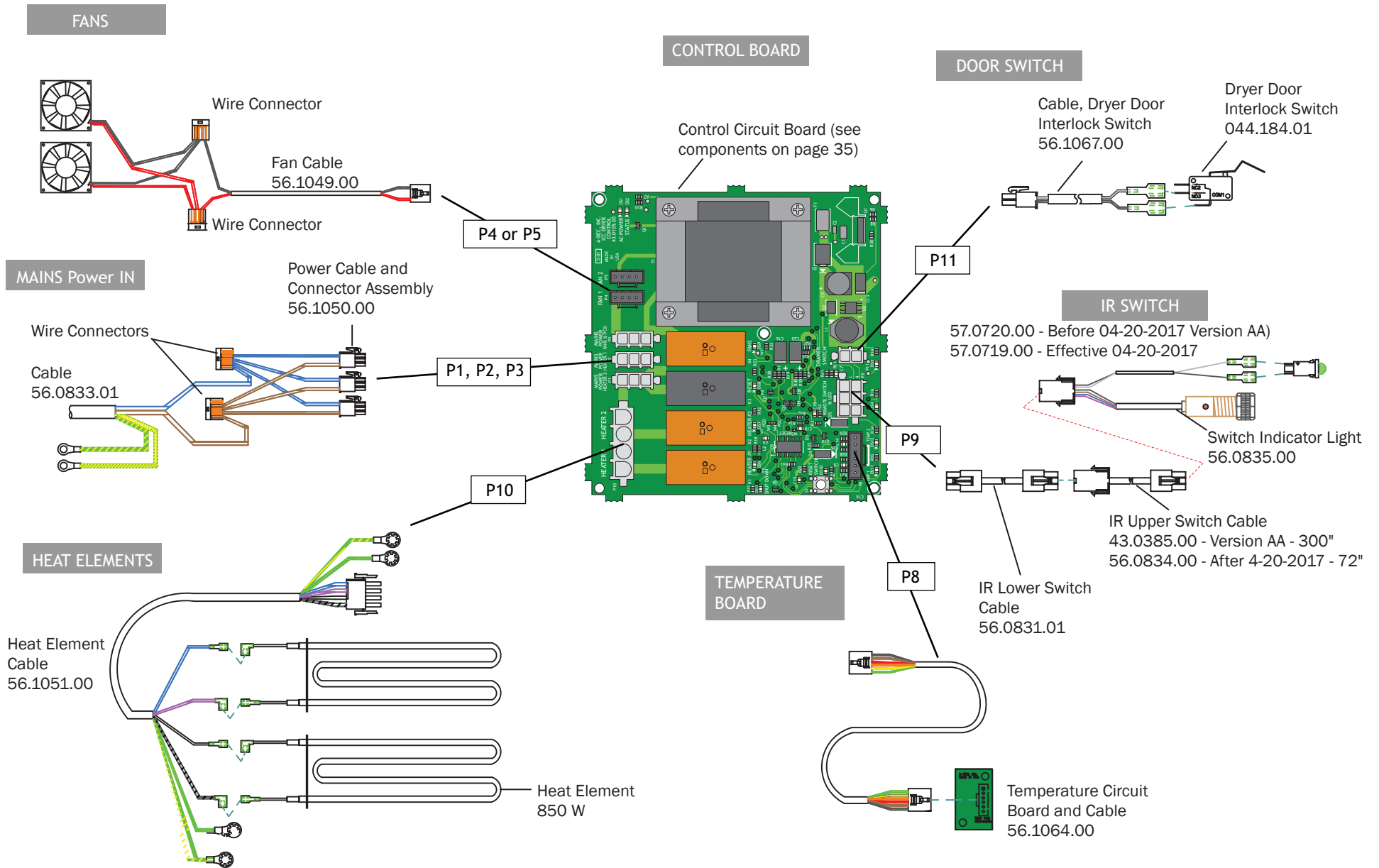
LED	Status	Description
DS1 - AC power LED	Off	No line voltage, tripped circuit breaker, P3 not plugged in
	Green, steady	Line voltage present at P3
DS2 - Status LED	Off	Dryer control board is not functioning, no power or circuit board has failed
	Green, steady	Normal operation
	Green, slow blinking	Cycle is running
DS4 - User Indicator LED	Off	Standby mode, waiting to be activated
	Green, steady	Cycle completed. When the drawer is opened, the light will turn on
	Green, fast blinking for 20 seconds then off	The dryer has been started while the drawer is open or the drawer was opened while the dryer was running. Closing the drawer will allow the dryer to activate
	Green, fast blinking longer than 20 seconds	Temperature input error. Use additional LEDs for diagnostics.
DS5 - Drawer Status LED	Off	Drawer is closed
	Yellow, steady	Drawer is open
DS6 - Heater #1 Relay LED	Off	Heater #1 element is off
	Yellow, steady	Heater #1 element is on
DS7 - Heater #2 Relay LED	Off	Heater #2 element is off
	Red, steady	Heater #2 element is on
DS8 - Reset Relay LED	Off	Reset relay is off
	Yellow, steady	Reset relay is activated
DS9 - Fans Relay LED	Off	Fans are off
	Yellow, steady	Fans are on
DS10 - Reset Switch	Off	Normal operation
	Red, steady	Temperature input/operation error
	Red, fast blinking	Invalid temperature circuit board reading
DS11 - Temperature Sensor #1 status	Off	Sensor not connected, failed, or shorted
	Yellow, steady	Normal operation
	Yellow, fast blinking	Over-temperature input recorded
DS12 - Temperature Sensor #2 status	Off	Sensor not connected, failed, or shorted
	Yellow, steady	Normal operation
	Yellow, fast blinking	Over-temperature input recorded
DS13 - Shut Down LED	Off	Normal operation
	Yellow, steady	Fans are on



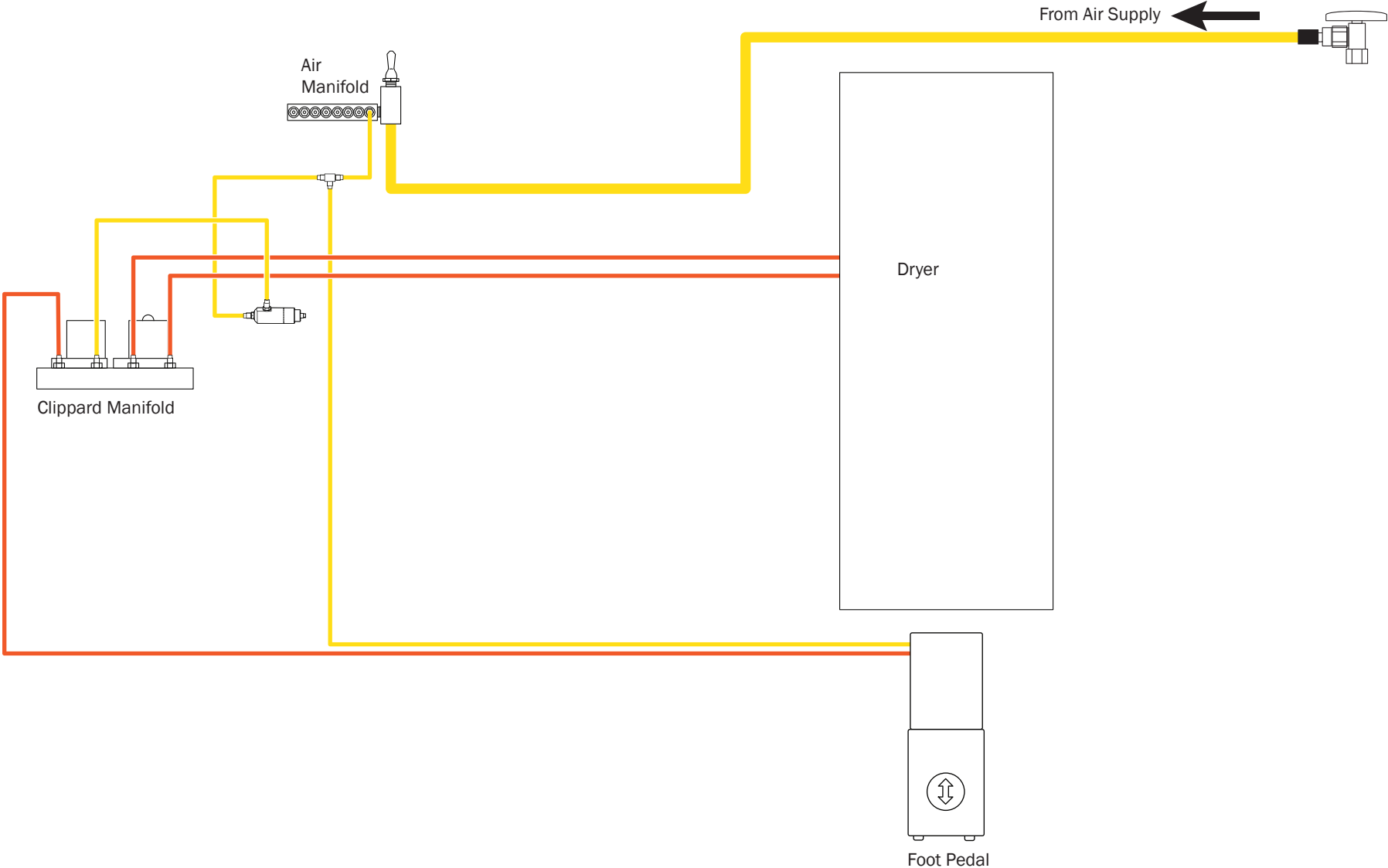
**ATTENTION** Circuit boards are sensitive to static electricity. Electrostatic Discharge (ESD) precautions are required when touching a circuit board or making connections to or from the circuit board. Circuit boards should be installed only by an electrician or qualified service person.



# Dryer Wiring Diagram



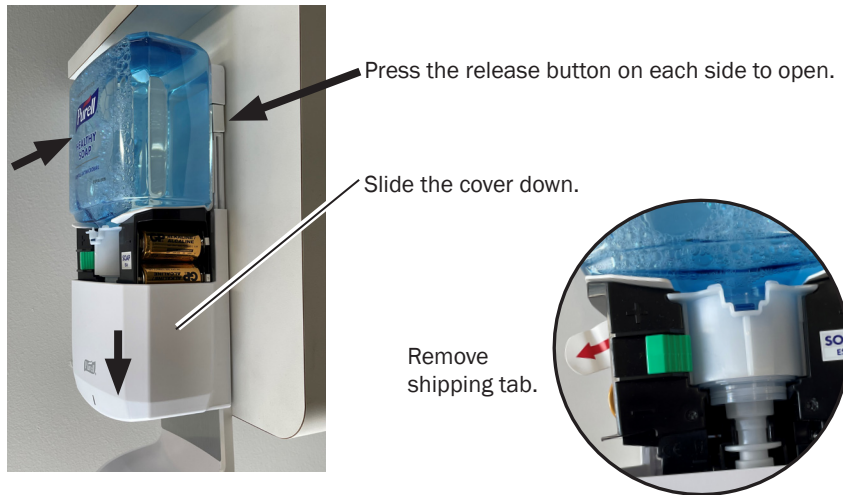
# Dryer Drawer Foot Pedal Plumbing Diagram



## 9 Soap and Hand Sanitizer Dispensers (Effective February 2022)

If the auto soap and hand sanitizer dispensers are full, but not working:

- Open the units and ensure that the shipping tabs were removed.
- Check the batteries to determine if they need replacement.



Order these dispenser refills for dispensers installed effective February 2022.

Product	Part Number/Description
Purell® Soap Refill	90.1861.00 2 Pack Refill
Purell® Hand Sanitizer Refill	90.1860.00 2 Pack Refill

### Battery Replacement

If the indicator light is not flashing and there is soap in the dispenser (and the shipping tab has been removed), replace the batteries.

1. Press the dispenser release buttons and slide the cover down.
2. Insert two new size C alkaline batteries.



**NOTE** Do not mix old and new batteries.

# Soap and Hand Sanitizer Dispensers (Before February 2022)

If the auto soap and hand sanitizer dispensers are full, but not working:

- Open the units and ensure that the shipping tabs were removed.
- Check the batteries to determine if they need replacement.



## Battery Replacement

1. Push in the buttons on the top of the dispenser, and remove the soap/sanitizer cartridge.
2. Depressed the two white tabs slightly above the black pump.
3. With the tabs depressed, lift up on the pump and it will pop off of the unit.
4. Replace the batteries, reinstall the cartridge, and replace the cover.



**NOTE** Do not mix old and new batteries.



**NOTE** On the 592 Central Console, the cartridge and motor may need to be removed in order to replace the batteries because the faucet prevents the dispenser from opening enough to get to the batteries.

## Dispenser Refills

Order these dispenser refills for dispensers installed before February 2022.

Product	Part Number/Description
GOJO® Soap Refill	90.1480.00 2 Pack Refill
Purell® Hand Sanitizer Refill	90.1479.00 2 Pack Refill

# Copyright

© 2022 A-dec, Inc. All rights reserved.

A-dec, Inc. makes no warranty of any kind with regard to this material, including, but not limited to, the implied warranties of merchantability and fitness for a particular purpose. A-dec, Inc. shall not be held liable for any errors contained herein or any consequential or other damages concerning the furnishing, performance or use of this material. The information in this document is subject to change without notice. If you find any problems in the documentation, please report them to us in writing. A-dec, Inc. does not warrant that this document is error-free.

No part of this document may be copied, reproduced, altered, or transmitted in any form or by any means, electronic or mechanical, including photocopying, recording, or by any information storage and retrieval system, without prior written permission from A-dec, Inc.

## Trademarks and Additional Intellectual Property Rights

None of the trademarks or trade names in this document may be reproduced, copied, or manipulated in any manner without the express, written approval of the trademark owner.

A-dec, the A-dec logo, A-dec Inspire, Cascade, Century Plus, Continental, Decade, ICX, ICV, Performer, Preference, Preference Collection, Preference ICC, Radius, and reliablecreativesolutions are trademarks of A-dec, Inc. and are registered in the United States and other countries. A-dec 500, A-dec 400, A-dec 300, A-dec 200, ICX Renew, ICX Restore, and EasyFlex are also trademarks of A-dec, Inc.

In the United States, Pozidriv is a registered trademark of Phillips Screw Company, Purell is a registered trademark of GOJO Industries Inc., Bon Ami is a registered trademark of Bon Ami Company, Comet is a registered trademark of KIK International LLC, Fantastic is a registered trademark of S.C. Johnson & Son, Inc., Formula 409 and SOS are registered trademarks of The Clorox Company, Scotch-Brite is a registered trademark of 3M Company, and Soft Scrub is a registered trademark of Henkel Consumer Goods Inc. These may also be trademarks or registered trademarks in other countries.

All other trademarks followed by ® are registered trademarks of A-dec, Inc. in the United States and may also be trademarks or registered trademarks in other countries.

Certain touchpad symbols and icons are proprietary to A-dec, Inc. Any use of these symbols or icons, in whole or in part, without the express written consent of A-dec, Inc., is strictly prohibited.

## Regulatory Information and Warranty

For required regulatory information and the A-dec warranty, see the *Regulatory Information, Specifications, and Warranty* document (p/n 86.0221.00) available in the Resource Center at [www.a-dec.com](http://www.a-dec.com).

## Product Service

Product service is available through your local authorized A-dec dealer. For service information, or to locate an authorized dealer, contact A-dec at 1.800.547.1883 in the USA and Canada or 1.503.538.7478 worldwide, or visit [www.a-dec.com](http://www.a-dec.com).

## Product Models and Versions Covered in This Document

Models	Versions	Description
591	A	Dental Furniture
592	A	Dental Furniture
593	A	Dental Furniture
594	A	Dental Furniture
595	A	Dental Furniture





 **A-dec Headquarters**

2601 Crestview Drive  
Newberg, OR 97132 USA  
Tel: 1.800.547.1883 Within USA/CAN  
Tel: 1.503.538.7478 Outside USA/CAN  
Fax: 1.503.538.0276  
[www.a-dec.com](http://www.a-dec.com)

**A-dec Australia**

Unit 8  
5-9 Ricketty Street  
Mascot, NSW 2020  
Australia  
Tel: 1.800.225.010 Within Australia  
Tel: +61 (0)2 8332 4000 Outside Australia

**A-dec China**

A-dec (Hangzhou) Dental Equipment Co., Ltd.  
Building 5, No.528 Shunfeng Road  
Tangqi Town, Yuhang District,  
Hangzhou, Zhejiang, China 311100  
Tel: 400.600.5434 within China  
Tel: +86.571.89026088 outside China

**A-dec United Kingdom**

Austin House, 11 Liberty Way  
Nuneaton, Warwickshire CV11 6RZ  
England  
Tel: 0800 ADECUK (233285) Within UK  
Tel: +44 (0) 24 7635 0901 Outside UK

86.0596.00 Rev E  
Date of Issue 2022-05-12  
Copyright 2022 A-dec, Inc.  
All rights reserved.